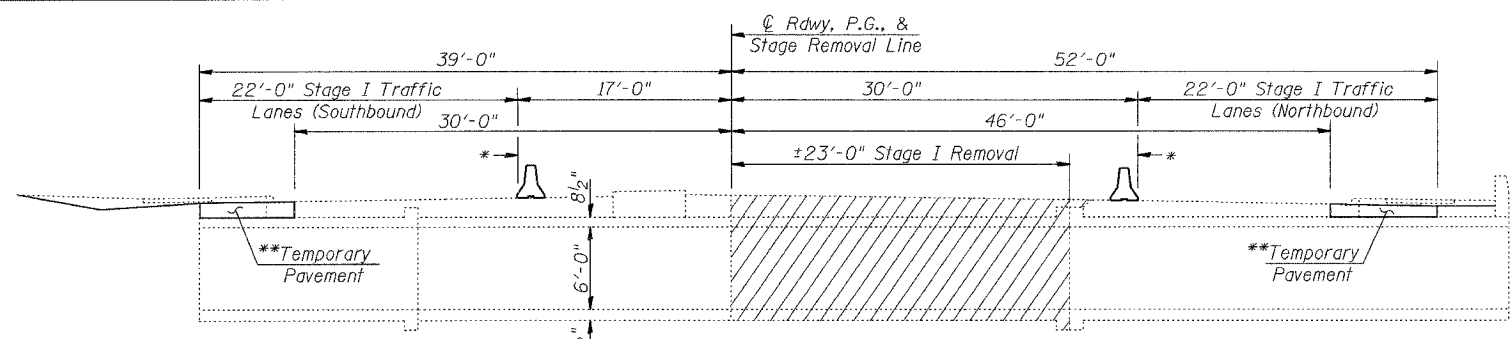


F.A.P.	SECTION	COUNTY	SHEET NO.	SHEET
870	534 R 1	WILL	42	11
FED. ROAD DIST. NO. 1		ILLINOIS	FED. AID PROJECT	

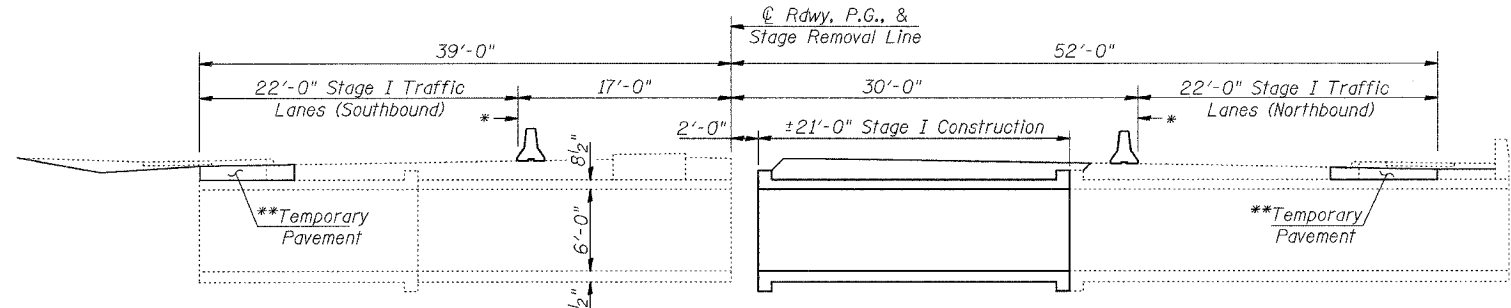
SHEET NO.
2 of 8

Contract No.: 62556



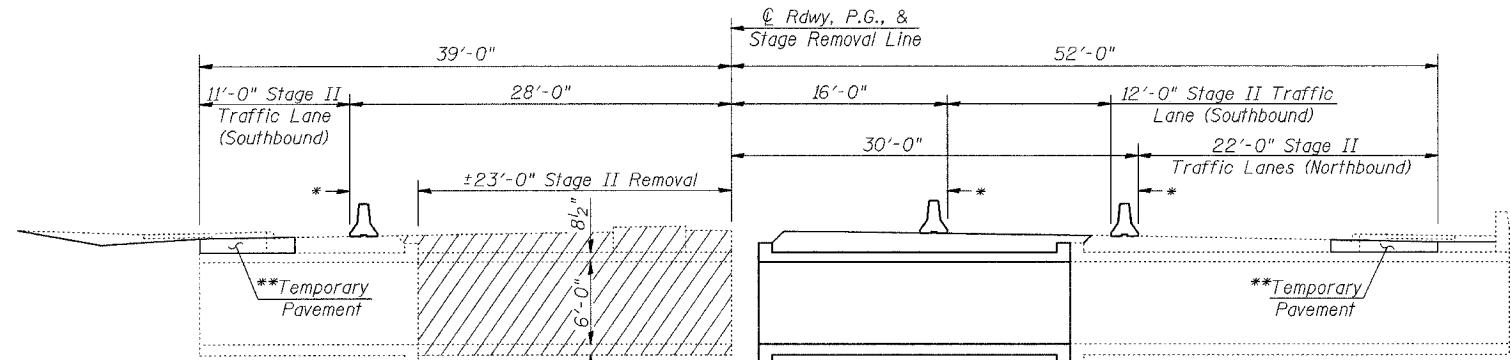
STAGE I REMOVAL

Dimensions perpendicular to roadway \perp



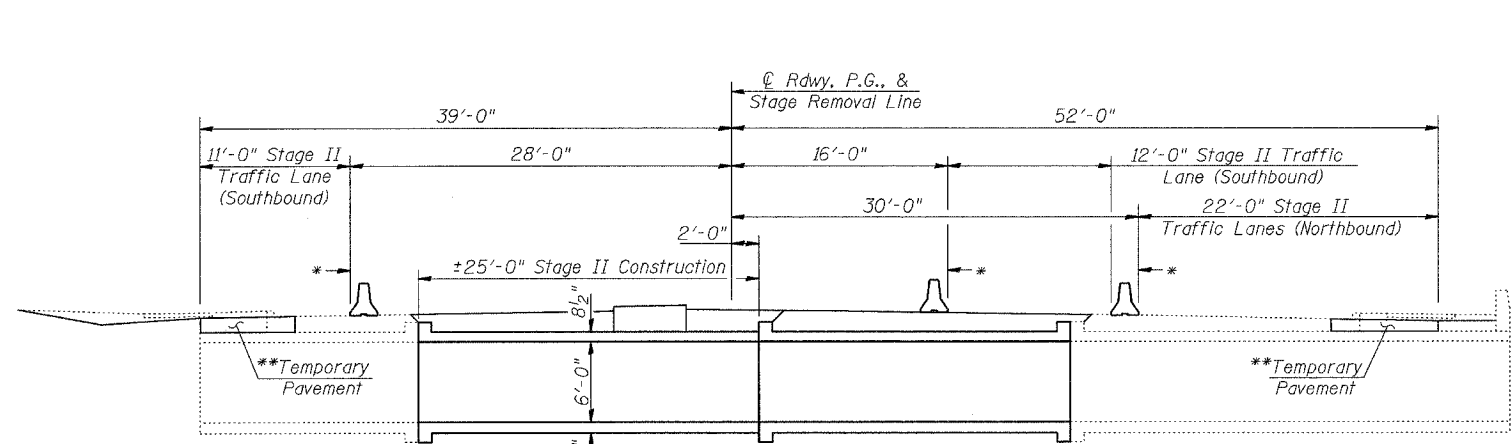
STAGE I CONSTRUCTION

Dimensions perpendicular to roadway \perp



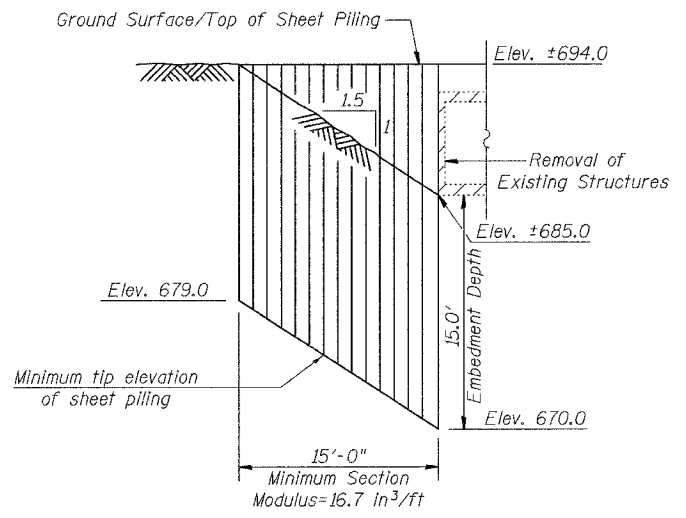
STAGE II REMOVAL

Dimensions perpendicular to roadway \perp

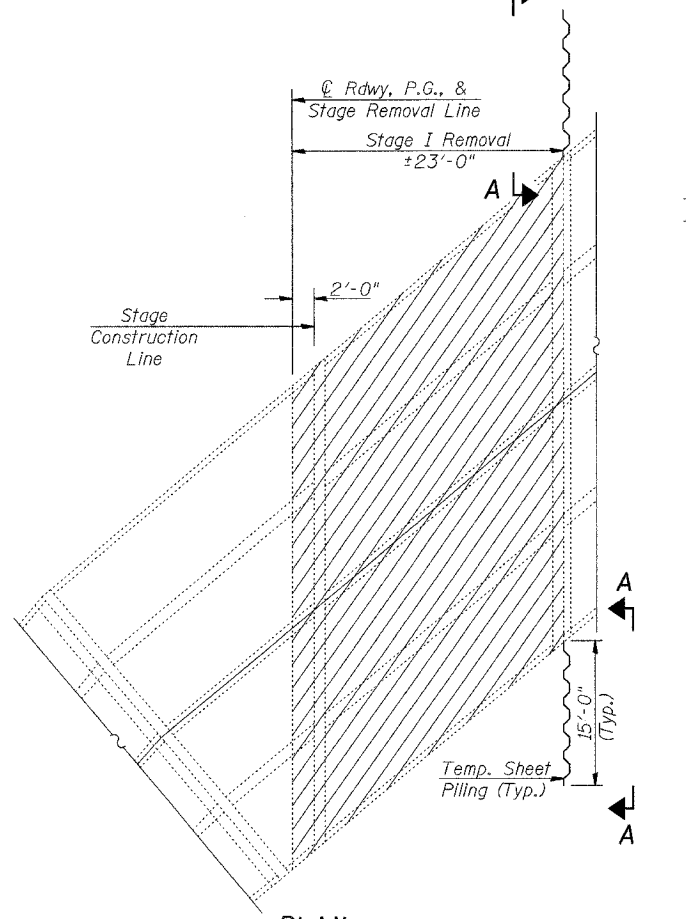


STAGE II CONSTRUCTION

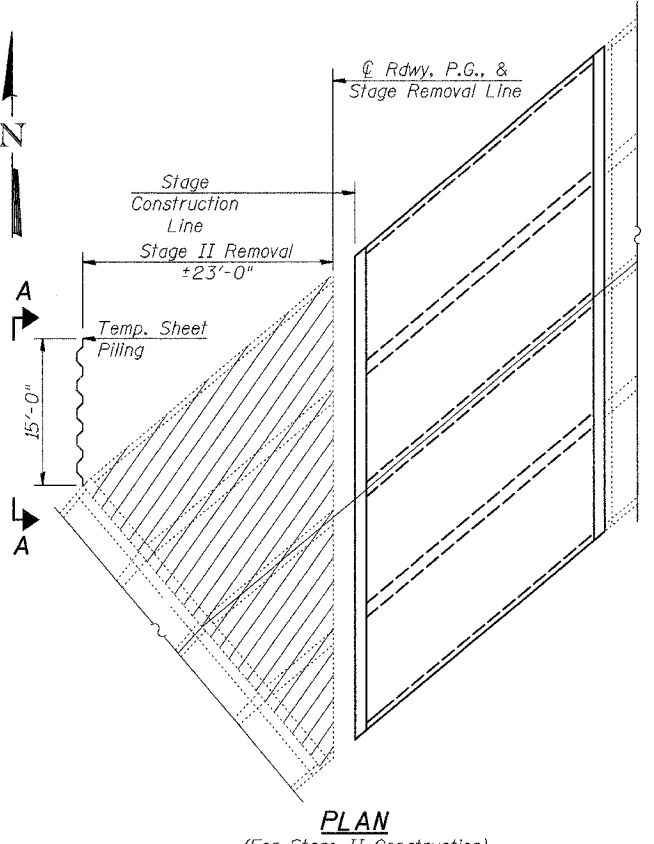
Dimensions perpendicular to roadway \perp



SECTION A-A



PLAN
(For Stage I Construction)



PLAN
(For Stage II Construction)

- Removal of Existing Structures
- * Toe of Temporary Concrete Barrier
- **Construct before Stage I Removal begins

BILL OF MATERIAL

PAY ITEM	UNIT	QUANTITY
Temporary Sheet Piling	Sq. Ft.	878
Removal of Existing Structures	Each	1



REVISIONS	
NAME	DATE

ILLINOIS DEPARTMENT OF TRANSPORTATION
 STAGE CONSTRUCTION DETAILS
 IL ROUTE 53 OVER LILY CACHE CREEK
 WILL COUNTY
 STATION 26+24
 STRUCTURE NO. 099-2008
 DATE: 6-12-07
 DRAWN BY BLB
 CHECKED BY WJV