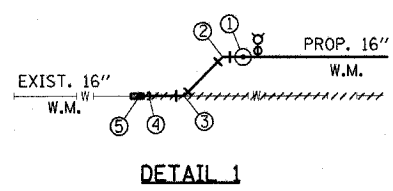
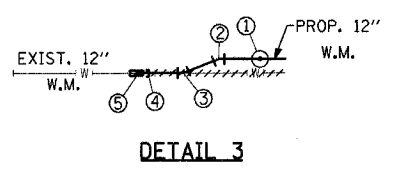


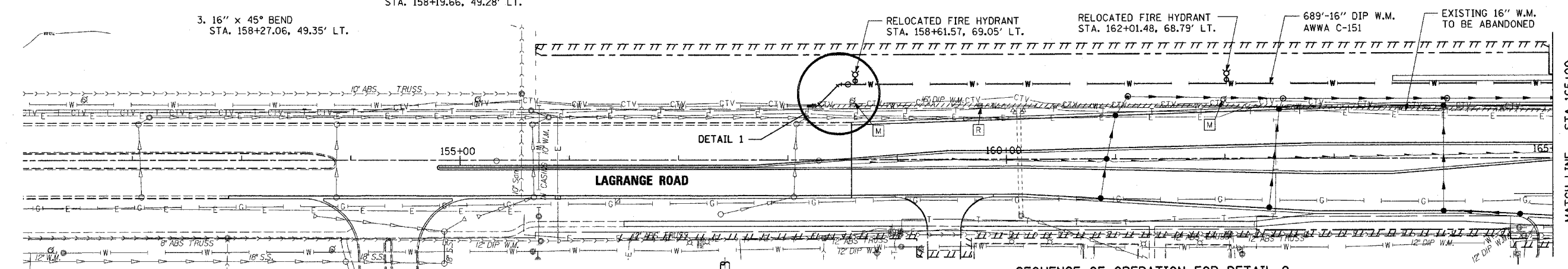
F.A.D. RTE.	SECTION	COUNTY	TOTAL SHEETS	SHEET NO.
351	537 R-1	COOK	245	90
STA. _____ TO STA. _____		ILLINOIS FED. AID PROJECT		
FED. ROAD DIST. NO. _____		CONTRACT # 62880		



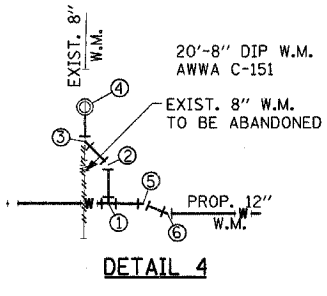
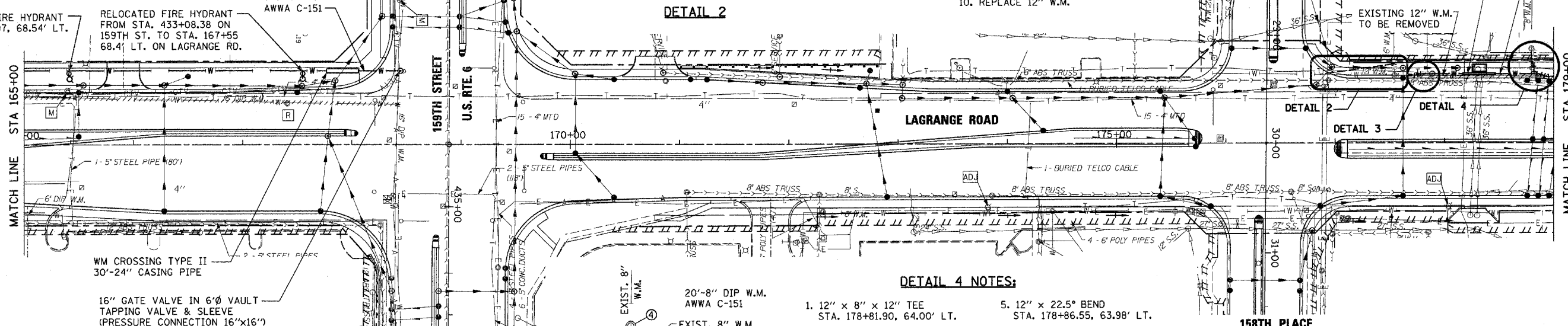
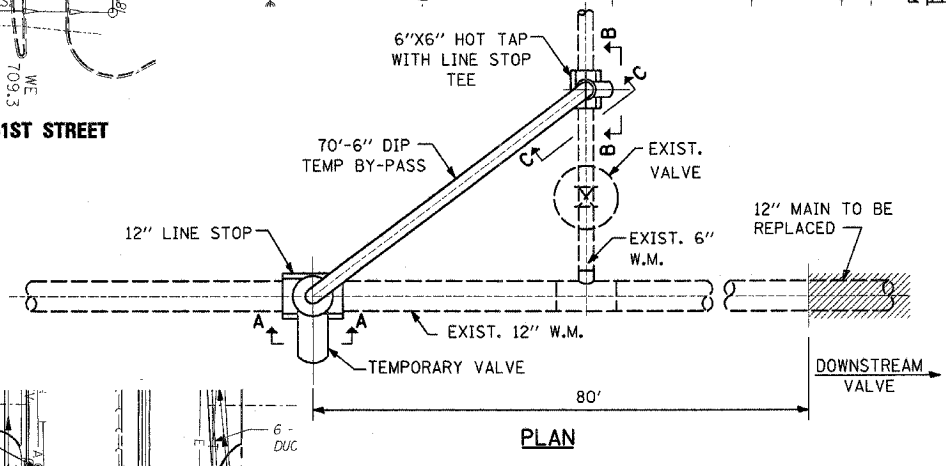
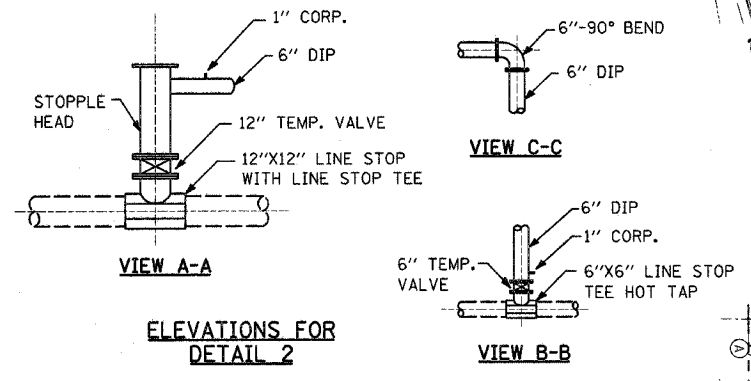
- DETAIL 1 NOTES:**
- 16" BUTTERFLY VALVE (NON-PRESSURE CONNECTION) WITH 5" Ø VAULT STA. 158+55, 69.05' LT.
 - 16" x 45° BEND STA. 158+46.96, 69.05' LT.
 - 16" x 45° BEND STA. 158+27.06, 49.35' LT.
 - 16" TEMPORARY CAP TO BE INSTALLED AFTER CUTTING THE EXISTING 16" W.M. TEMPORARY CAP TO BE REMOVED AFTER CHLORINATION & TIE INTO EXIST. 16" W.M. WITH:
 - 16"-TRANSITION SLEEVE STA. 158+19.66, 49.28' LT.



- DETAIL 3 NOTES:**
- 12" GATE VALVE (NON-PRESSURE CONNECTION) WITH 5" Ø VAULT STA. 177+88.83, 64.0' LT.
 - 12" x 45° BEND STA. 177+77.08, 64.0' LT.
 - 12" x 45° BEND STA. 177+73.72, 62.6' LT.
 - 12" TEMPORARY CAP TO BE INSTALLED AFTER CUTTING THE EXISTING 12" W.M. TEMPORARY CAP TO BE REMOVED AFTER CHLORINATION & TIE INTO EXIST. 12" W.M. WITH:
 - 12"-TRANSITION SLEEVE STA. 177+68.166, 62.6' LT.



- SEQUENCE OF OPERATION FOR DETAIL 2**
- INSTALL 6" LINE STOP TEE/VALVE & COMPLETE HOT TAP ON 6" W.M.
 - INSTALL 12" LINE STOP TEE/VALVE & COMPLETE HOT TAP ON 12" W.M.
 - INSTALL 6" BY-PASS PIPING
 - FLUSH, DISINFECT & COLLECT SAMPLES ON 6" BY-PASS PIPING
 - PLACE 6" BY-PASS PIPING IN SERVICE
 - PERFORM 12" LINE STOP
 - CLOSE EXISTING 6" VALVE
 - CLOSE DOWNSTREAM VALVE
 - RELIEVE PRESSURE IN PIPE TO BE REPLACED
 - REPLACE 12" W.M.
 - PLACE 12" W.M. IN SERVICE
 - REMOVE LINE STOP AND OPEN EXISTING VALVE & DOWNSTREAM VALVE
 - CLOSE TEMP. VALVES & REMOVE 6" BY-PASS PIPING
 - INSERT 6" AND 12" PLUGS INTO LINE STOP TEES
 - REMOVE TEMPORARY VALVES
 - INSTALL BLIND FLANGES ON LINE STOP TEES



- DETAIL 4 NOTES:**
- 12" x 8" x 12" TEE STA. 178+81.90, 64.00' LT.
 - 8" x 45° BEND STA. 178+81.90, 72.28' LT.
 - 8" x 45° BEND STA. 178+79.40, 74.83' LT.
 - EXISTING 8" GATE VALVE. KEEP IN CLOSED POSITION UNTIL CHLORINATION IS DONE, THEN TIE INTO THE EXISTING 8" GATE VALVE.
 - 12" x 22.5° BEND STA. 178+86.55, 63.98' LT.
 - 12" x 22.5° BEND STA. 178+93.16, 61.24' LT.

WATER MAIN LEGEND AND SYMBOLS

(R)	STRUCTURE REMOVAL
(A)	VALVE VAULT TO BE ADJUSTED
(M)	STRUCTURE TO BE REMOVED
(ADJ)	STRUCTURE TO BE ADJUSTED

REVISIONS

NAME	DATE

ILLINOIS DEPARTMENT OF TRANSPORTATION
US RTE 6 (159TH ST) AT US RTE 45 (LAGRANGE RD)
**LAGRANGE ROAD (US RTE 45)
WATER MAIN PLAN**
STA 151+00 TO STA 179+00
SCALE: 1"=50'
DATE: 7-07-06
DRAWN BY: OIU
CHECKED BY: RCH
McDonough Associates Inc.
Engineers / Architects

FILES
DATES
TIMES