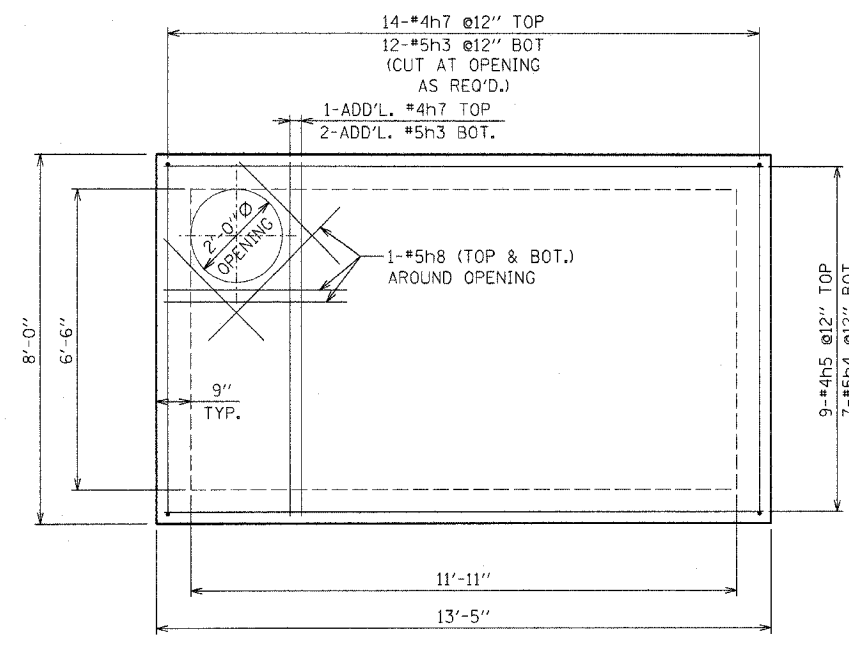
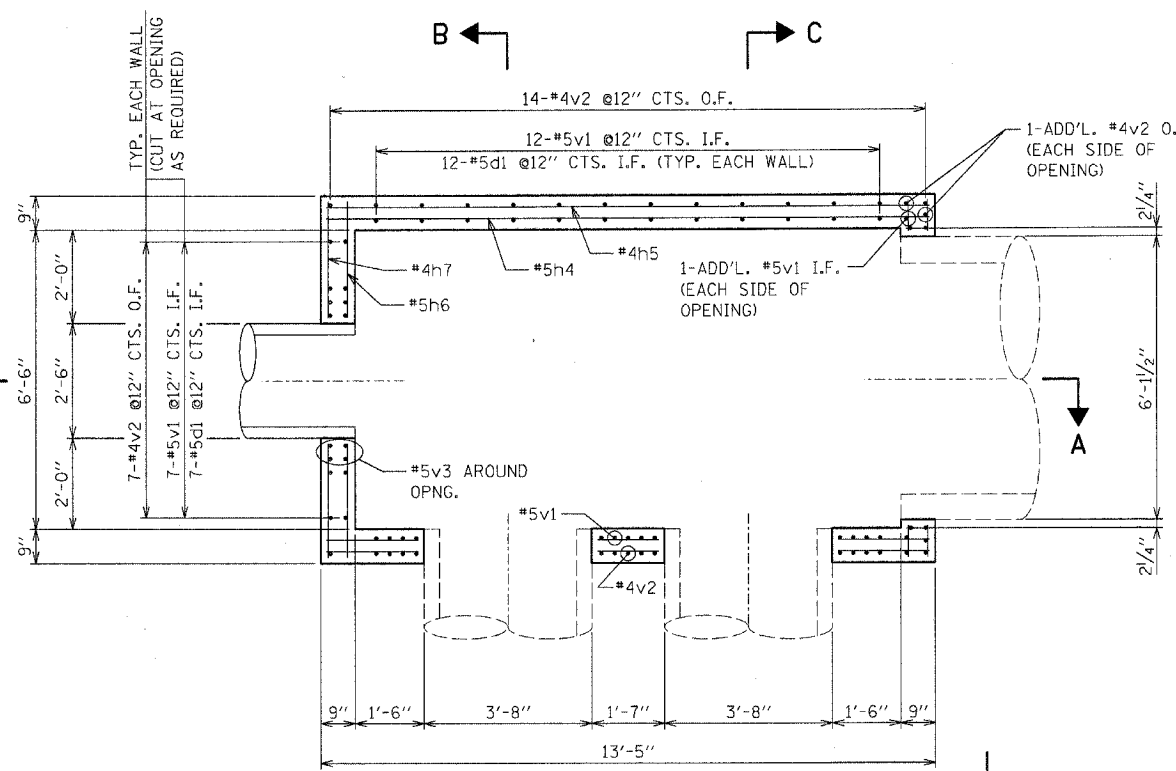


E.A.P. RTE.	SECTION	COUNTY	TOTAL SHEETS	SHEET NO.
351	537 R-1	COOK	245	94
STA. _____		TO STA. _____		
FED. ROAD DIST. NO. _____		ILLINOIS FED. AID PROJECT		
CONTRACT # 62880				

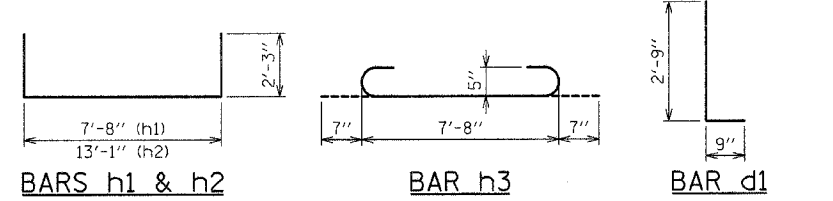


**TOP SLAB PLAN**  
SCALE: AS SHOWN

**NOTES:**  
CONCRETE SHALL CONFORM TO THE REQUIREMENTS OF CLASS "SI" IN ACCORDANCE WITH THE STANDARD SPECIFICATIONS.  
REINFORCEMENT BARS SHALL BE EPOXY COATED AND CONFORM TO THE REQUIREMENTS OF ASTM-A615, GRADE 60.

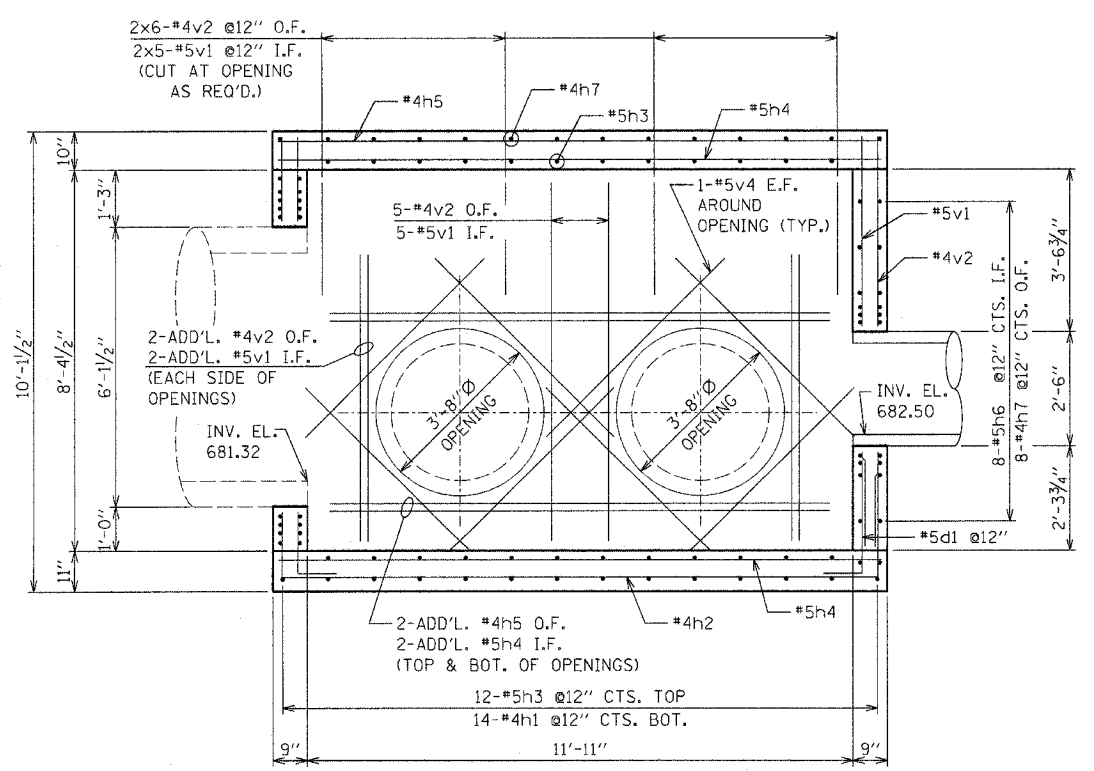


**PLAN**  
SCALE: AS SHOWN

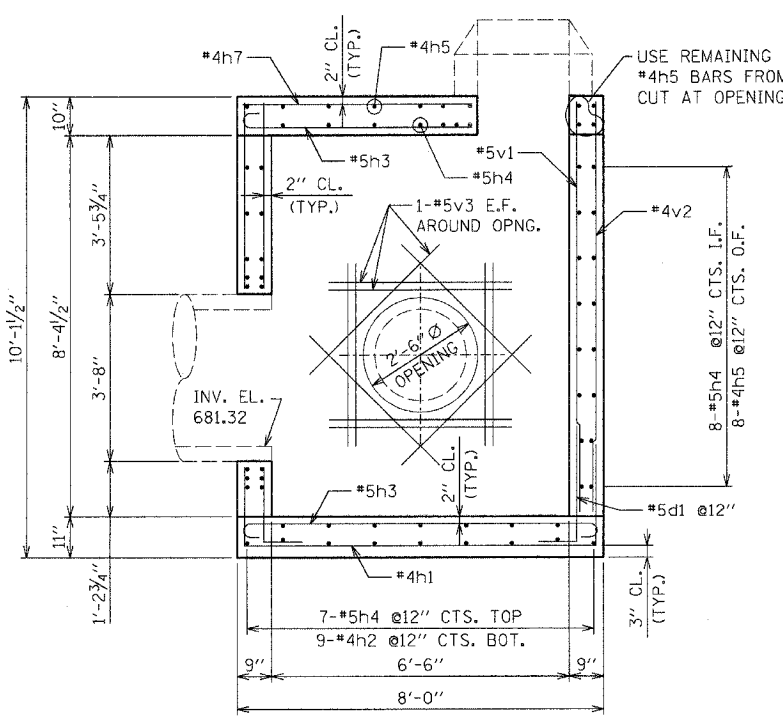


**BILL OF MATERIAL**

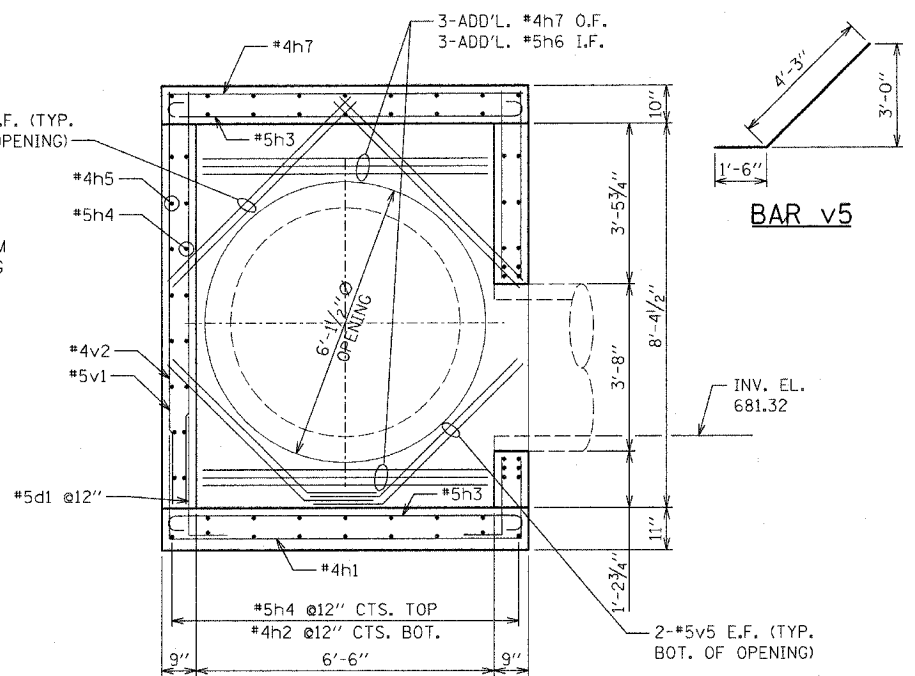
BAR	NO.	SIZE	LENGTH	SHAPE
h1(E)	14	#4	12'-2"	
h2(E)	9	#4	17'-7"	
h3(E)	26	#5	8'-10"	
h4(E)	34	#5	13'-1"	
h5(E)	29	#4	13'-1"	
h6(E)	22	#5	7'-8"	
h7(E)	37	#4	7'-8"	
h8(E)	10	#5	4'-0"	
d1(E)	38	#5	3'-6"	L
v1(E)	47	#5	9'-0"	
v2(E)	53	#4	9'-0"	
v3(E)	24	#5	4'-6"	
v4(E)	24	#5	5'-8"	
v5(E)	8	#5	5'-9"	
CONCRETE STRUCTURES	CU. YD.		14.6	
REINFORCEMENT BARS, EPOXY COATED	POUND		2,790	



**SECTION A-A**  
SCALE: AS SHOWN



**SECTION B-B**  
SCALE: AS SHOWN



**SECTION C-C**  
SCALE: AS SHOWN

REVISIONS	
NAME	DATE

ILLINOIS DEPARTMENT OF TRANSPORTATION  
US RTE 6 (159TH ST) AT US RTE 45 (LAGRANGE RD)  
**JUNCTION CHAMBER NO. 1**  
**STRUCTURE NO. 178L2**  
**REINFORCEMENT DETAILS**  
SCALE: 1/2"=1'-0"  
DATE: 7-07-06  
DRAWN BY: KWT  
CHECKED BY: AW

**McDonough Associates Inc.**  
Engineers / Architects