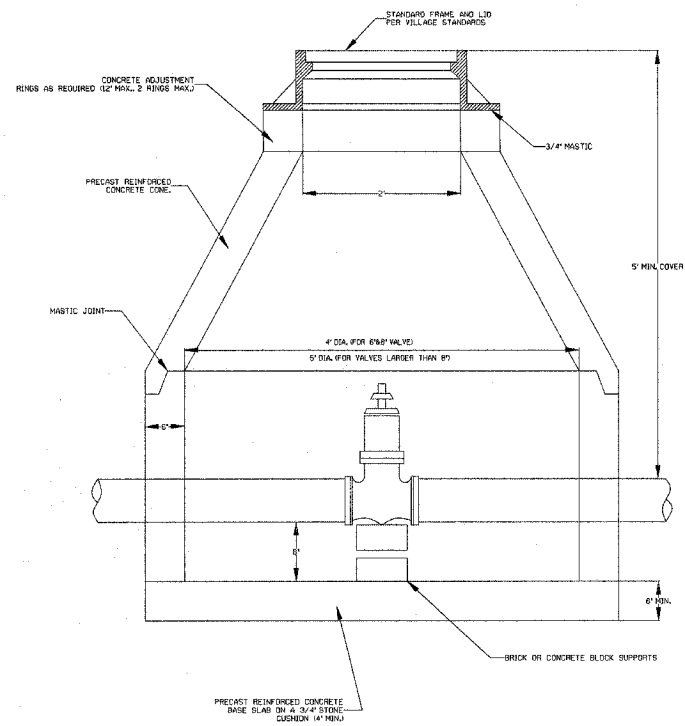
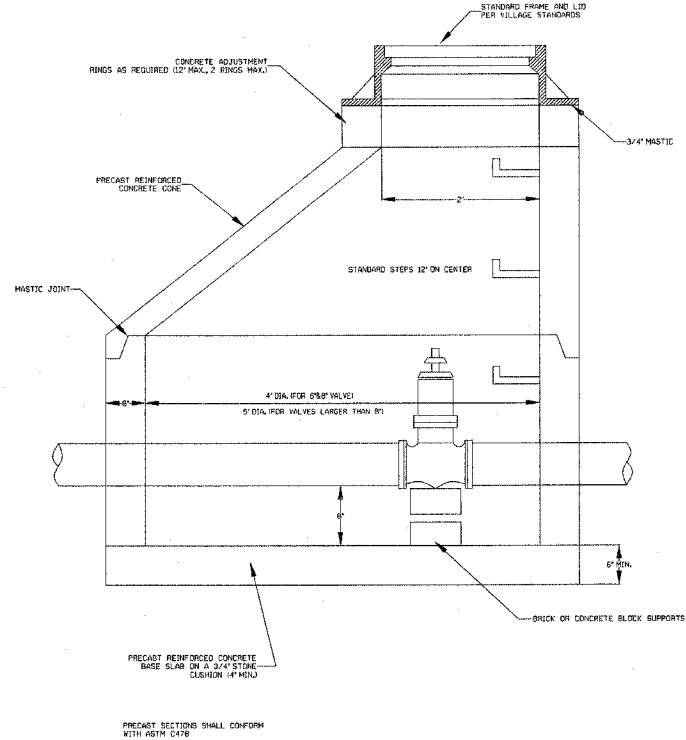


CONTRACT # 62880



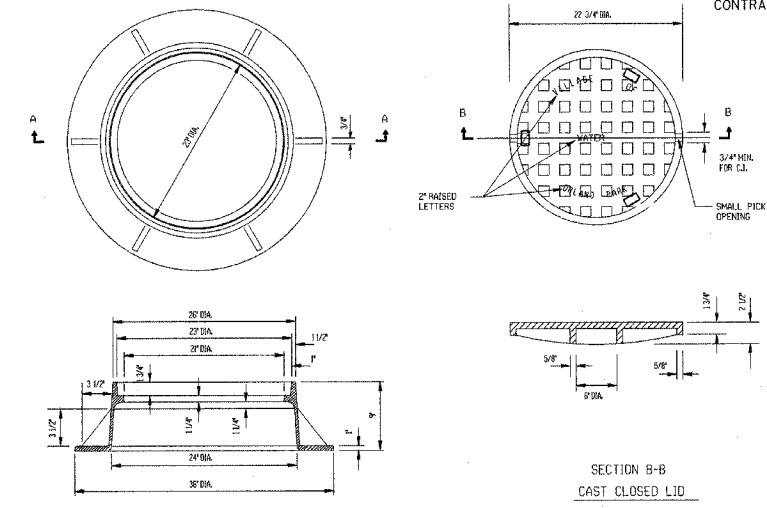
PRECAST SECTIONS SHALL CONFORM WITH ASTM C478

VALVE VAULT		
DESIGNED BY	WATER MAIN IMPROVEMENT	DATE
DRAWN BY	Village of <b>ORLAND PARK</b>	REVISIONS
Engineering Department		WM-01



PRECAST SECTIONS SHALL CONFORM WITH ASTM C478

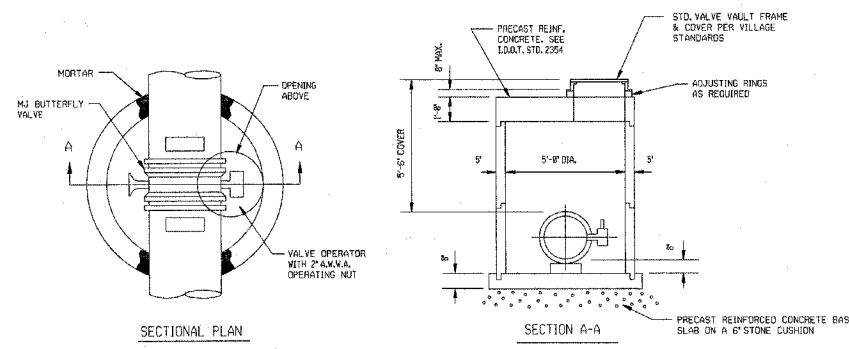
VALVE VAULT OFFSET CONE		
DESIGNED BY	WATER MAIN IMPROVEMENT	DATE
DRAWN BY	Village of <b>ORLAND PARK</b>	REVISIONS
Engineering Department		WM-02



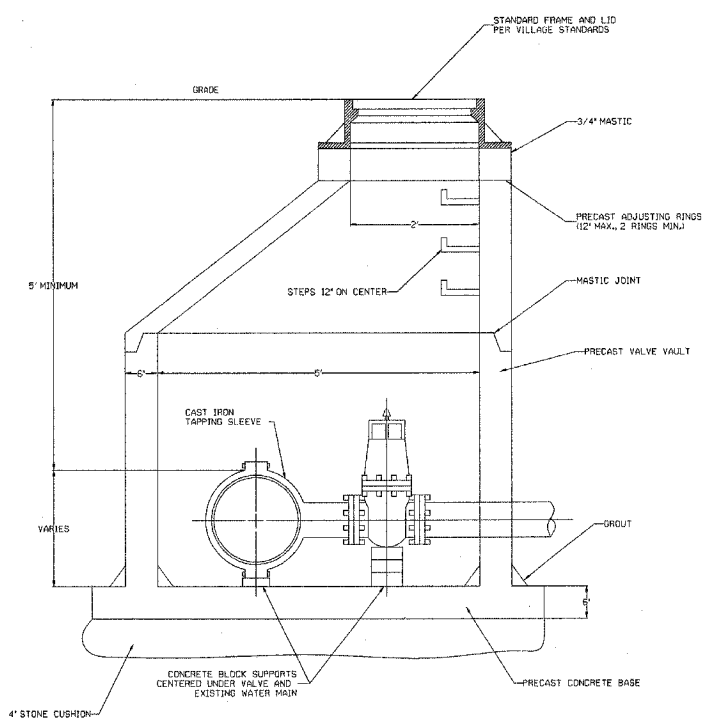
SECTION A-A  
CAST FRAME  
WT. - 300 LBS.

1. DUCTILE IRON CASTINGS SHALL BE GRADE 60-40-10 & SHALL BE TESTED IN ACCORDANCE WITH FEDERAL SPECIFICATIONS.
2. ALL LIDS AND COVERS SHALL BE MACHINED.
3. THE HANDLE COVERS SHALL HAVE RAISED LETTERS AS SHOWN.
4. ALTERNATIVE TO DUCTILE IRON LID, GRAY IRON LID MAY BE USED.
5. MINIMUM WEIGHTS FOR CASTINGS AS SHOWN.
6. CASTINGS SHALL BE EAST JORDAN IRON WORKS M8871 FRAME & 15204 COVER.

VALVE VAULT FRAME & COVER		
DESIGNED BY	WATER MAIN IMPROVEMENT	DATE
DRAWN BY	Village of <b>ORLAND PARK</b>	REVISIONS
Engineering Department		WM-03

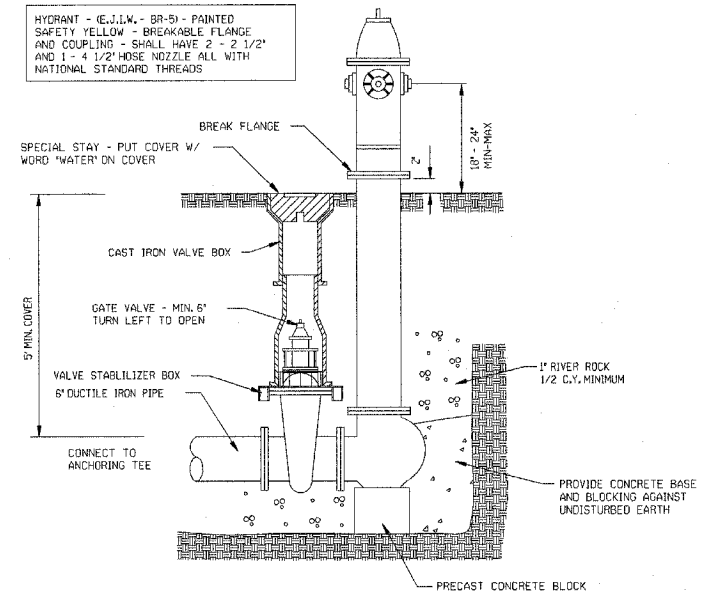


BUTTERFLY VALVE VAULT		
DESIGNED BY	WATER MAIN IMPROVEMENT	DATE
DRAWN BY	Village of <b>ORLAND PARK</b>	REVISIONS
Engineering Department		WM-04



4\"/>

PRESSURE CONNECTION		
DESIGNED BY	WATER MAIN IMPROVEMENT	DATE
DRAWN BY	Village of <b>ORLAND PARK</b>	REVISIONS
Engineering Department		WM-05



HYDRANT INSTALLATION		
DESIGNED BY	WATER MAIN IMPROVEMENT	DATE
DRAWN BY	Village of <b>ORLAND PARK</b>	REVISIONS
Engineering Department		WM-06

REVISIONS	
NAME	DATE

ILLINOIS DEPARTMENT OF TRANSPORTATION  
US RTE 6 (159TH ST) AT US RTE 45 (LAGRANGE RD)  
**VILLAGE SEWER AND WATER DETAILS**  
SCALE: N/A  
DATE: 7-07-06  
DRAWN BY: VOP  
CHECKED BY: RCH

FILES  
DATES  
TIMES