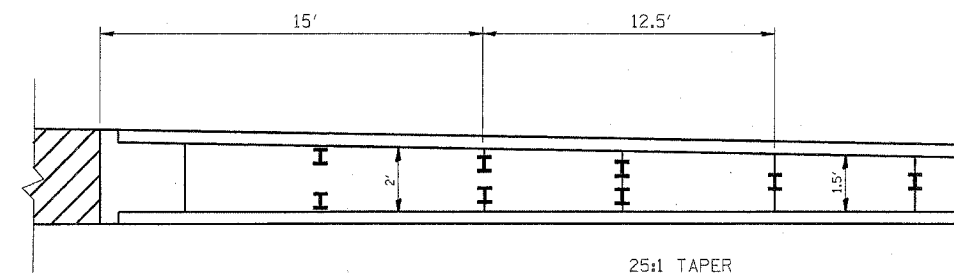
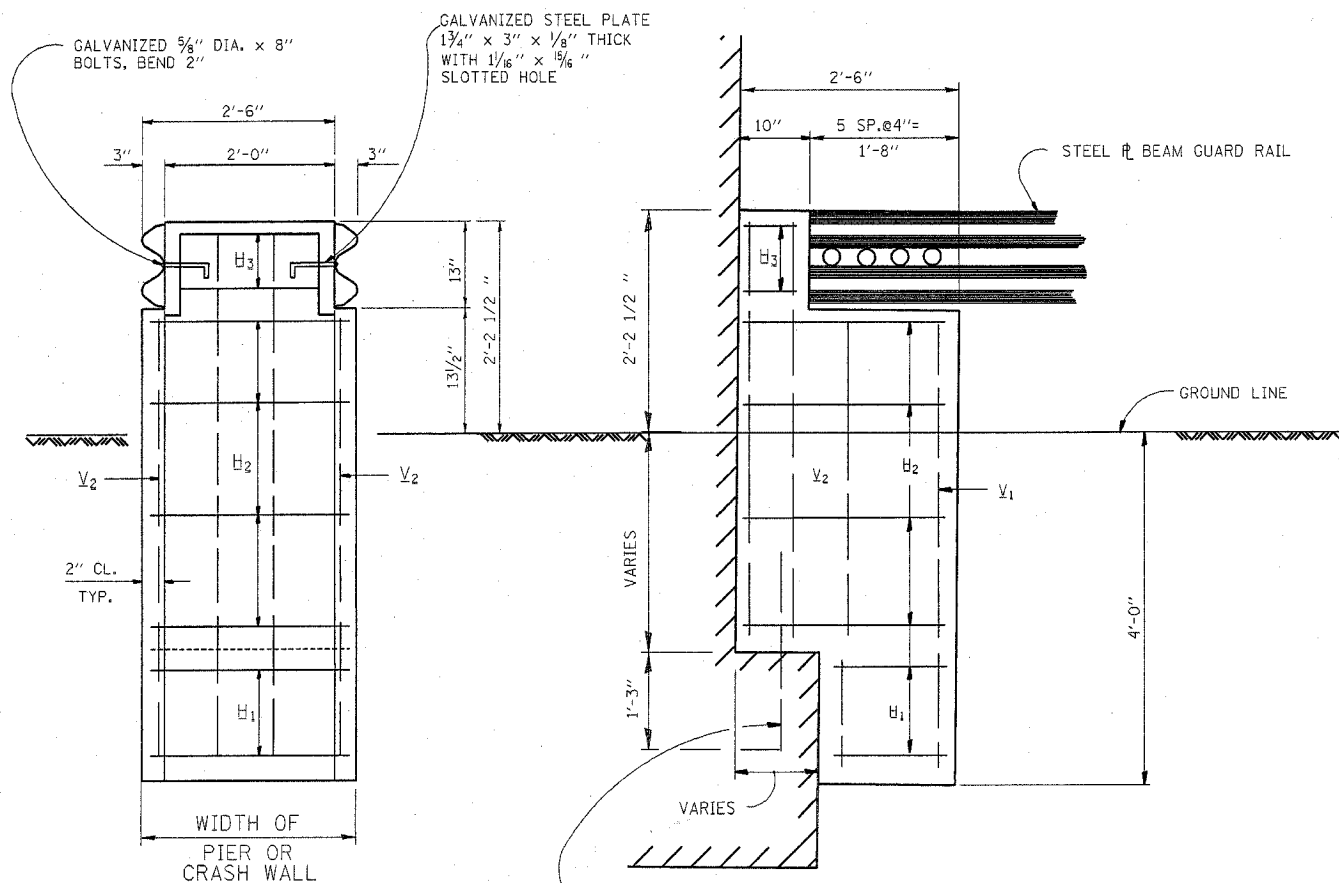


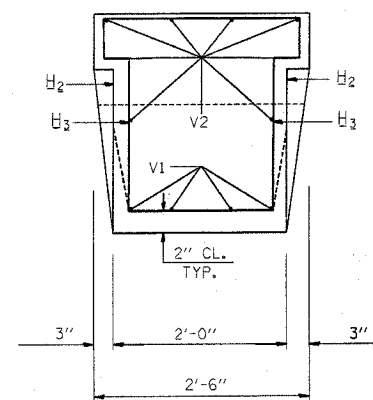
F. A. DIST.	SECTION	COUNTY	TOTAL SHEETS	SHEET NO.
VAR. 2005-026	GRR	*	18	8
STA.	TO STA.			
FED. ROAD DIST. NO.	ILLINOIS	FED. AID PROJECT		

* WILL, KANE, DU PAGE AND COOK
CONTRACT 62960

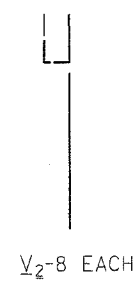
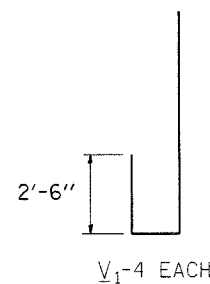
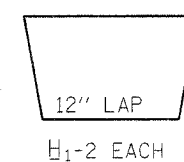
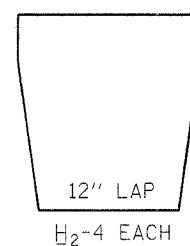
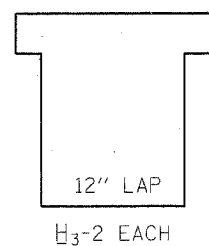


GUARD RAIL TRANSITIONS

NOTES: CLASS SI CONCRETE SHALL BE USED THROUGHOUT
REINFORCEMENT TO BE SIZE #4 UNLESS OTHERWISE
NOTED



#6 DOWEL BARS
DRILL AND GROUT ON ROW OF THREE BARS



REVISIONS	
NAME	DATE
CREATED	10-31-88

ILLINOIS DEPARTMENT OF TRANSPORTATION

TYPICAL DETAILS FOR
STEEL PLATE BEAM GUARDRAIL
ANCHORAGE REPAIR

SCALE: NONE
DATE: 10/2/2006

DRAWN BY R.F.L.
CHECKED BY