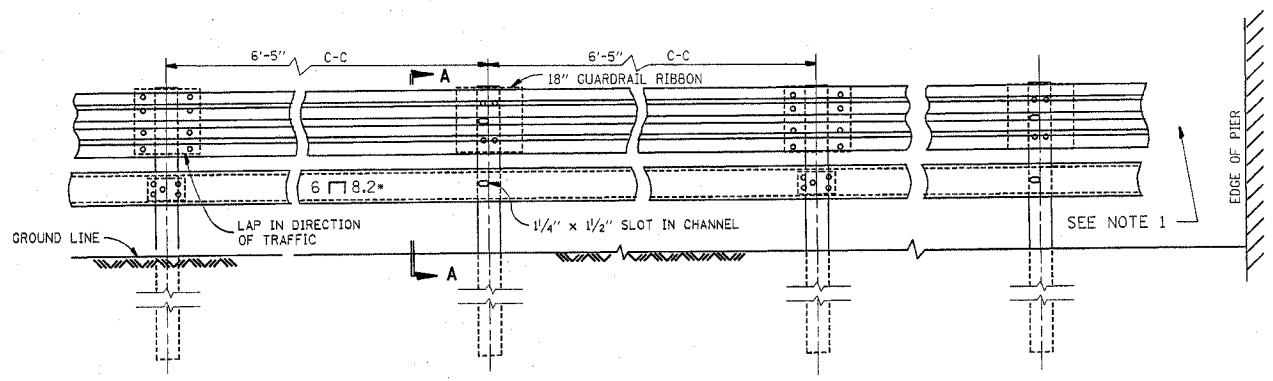


P. L. RILEY	SECTION	COUNTY	TOTAL SHEETS	SHEET NO.
VAR. 2005-026	GRR	*	18	12
STA.	TO STA.			
FED. ROAD DIST. NO.	STATE	FED. AID PROJECT		

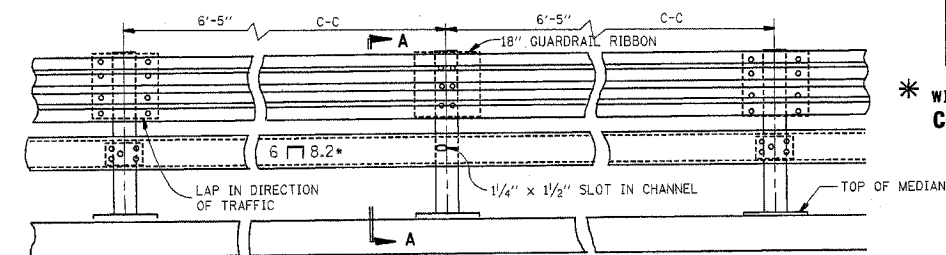
* WILL. KANE, DU PAGE AND COOK
CONTRACT 62960



ELEVATION

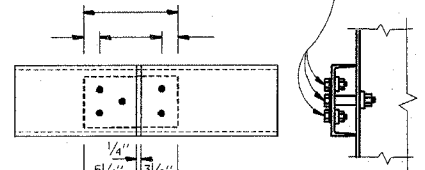
DETAIL OF END SECTION

NOTE 1:
FOR DETAILS OF GUARDRAIL END ANCHORAGE
AT PIERS, SEE SHEET NO. ___

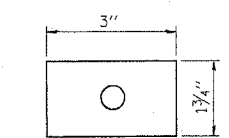


ELEVATION

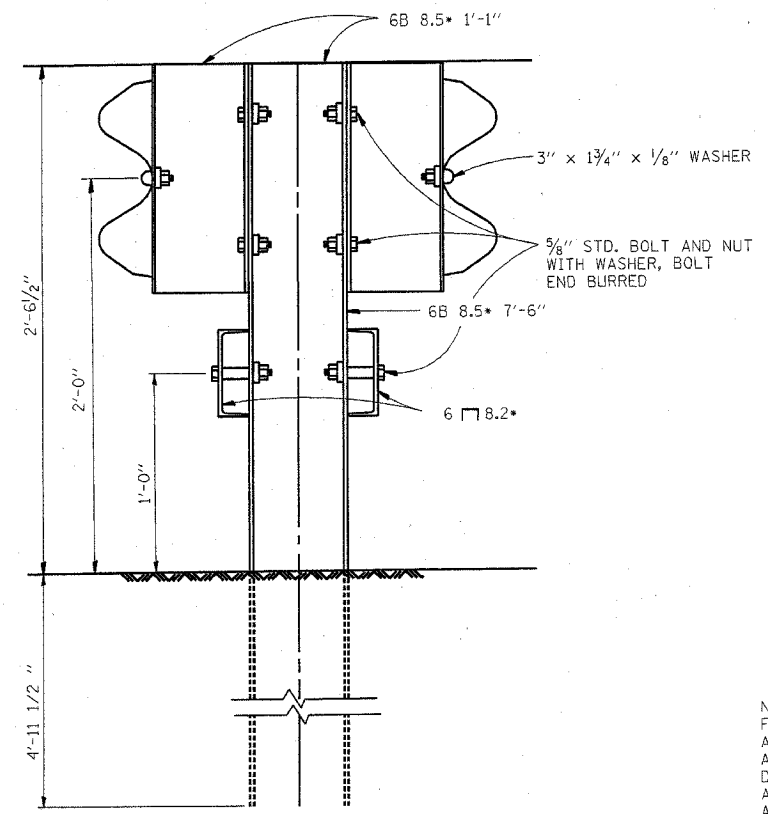
5/8" STD. BOLT AND NUT
WITH WASHER, BOLT
END BURRED



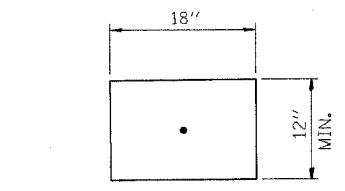
CHANNEL SPLICE
PLATE 8 3/4" x 4 1/2" x 1/4"



WASHER
PLATE 3" x 1 3/4" x 1/8"

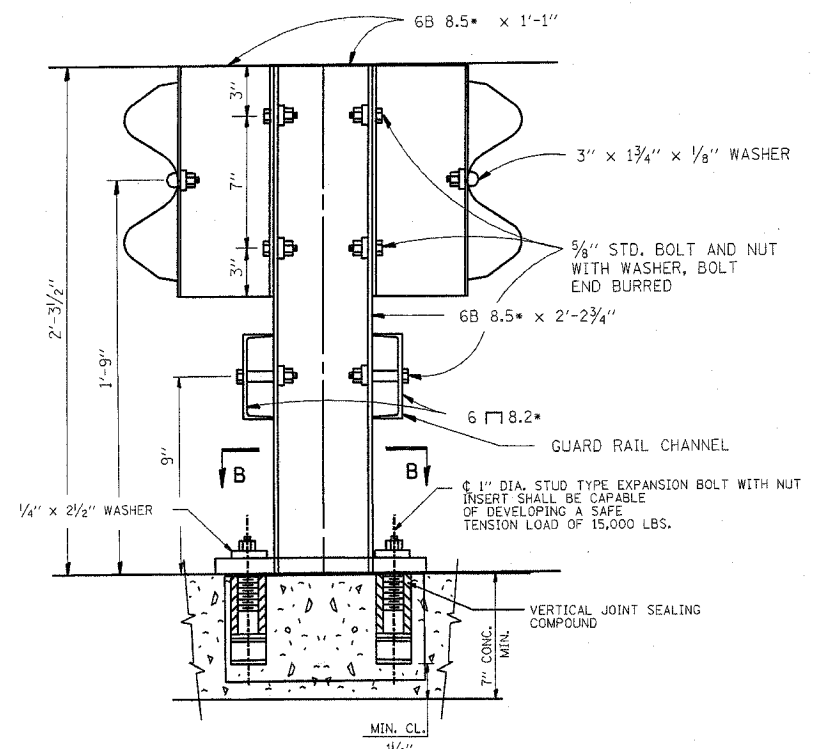


SECTION A-A



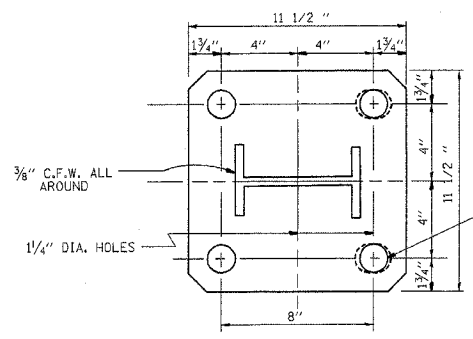
18" GUARDRAIL ELEMENT SPLICE

NOTE:
FOR DETAIL OF RAIL ELEMENT, RAIL SPLICING, BOLT,
AND NUT, SEE STATE STANDARD 630001.
A 3/8" x 3" x 1/8" STEEL PLATE WASHER AS SHOWN ON THIS
DRAWING SHALL BE PLACED BETWEEN THE BOLT HEAD
AND THE GUARDRAIL RIBBON AT ALL MOUNTING POINTS.
AN 18" PIECE OF GUARDRAIL RIBBON SHALL BE INSERTED
BETWEEN THE CONTINUOUS RIBBON AND THE POST AT
NON-SLICE MOUNTING POINTS.
RAIL, CHANNELS, POSTS, BASE PLATES, FASTENINGS,
AND ALL OTHER EXPOSED ACCESSORIES SHALL BE
GALVANIZED.



SECTION A-A
ANCHORAGE DETAIL

NOTE:
ALL WELDS SHALL BE GROUND SMOOTH.
POSTS SHALL BE CUT AND WELDED TO THE
BASE PLATE SO THAT THE POSTS WILL BE
PLUMB WHEN ERECTED.



RAIL POST BASE PLATE
R. 11 1/2" x 1 1/4" x 1 1/2"

SECTION B-B

REVISIONS	
NAME	DATE

ILLINOIS DEPARTMENT OF TRANSPORTATION
**STEEL PLATE BEAM GUARDRAIL
SPECIAL**

SCALE: NONE
DATE: 10/2/2006

DRAWN BY R.F.L.
CHECKED BY

THIS SHEET IS FOR INFORMATION ONLY