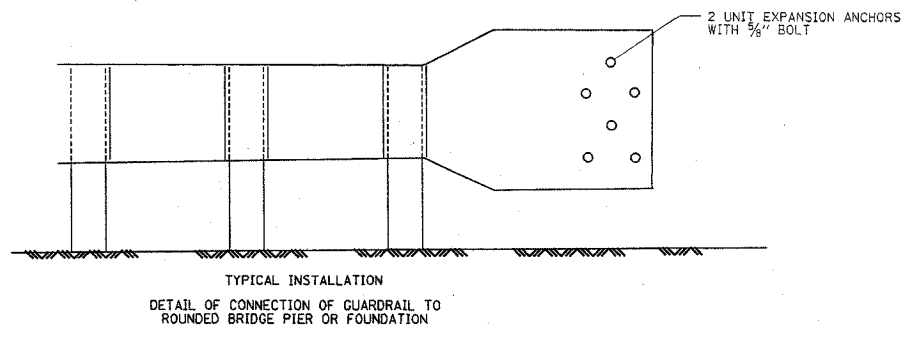
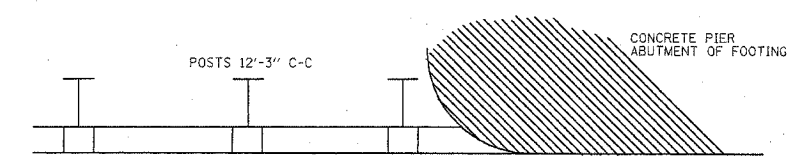
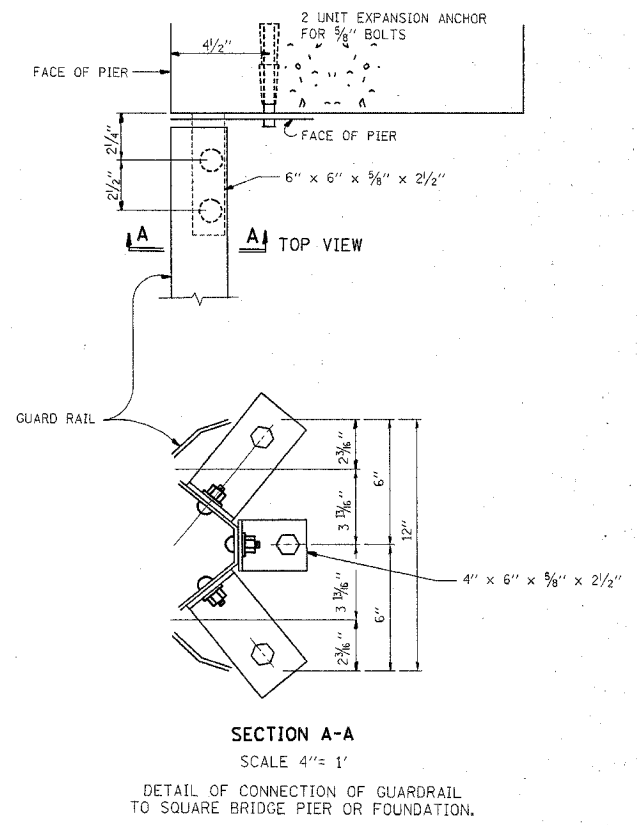
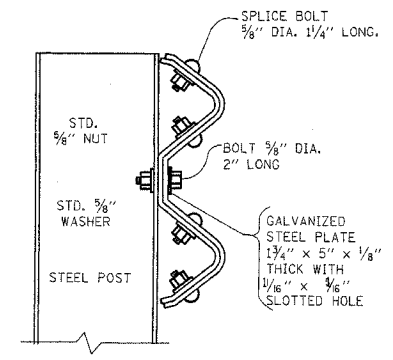
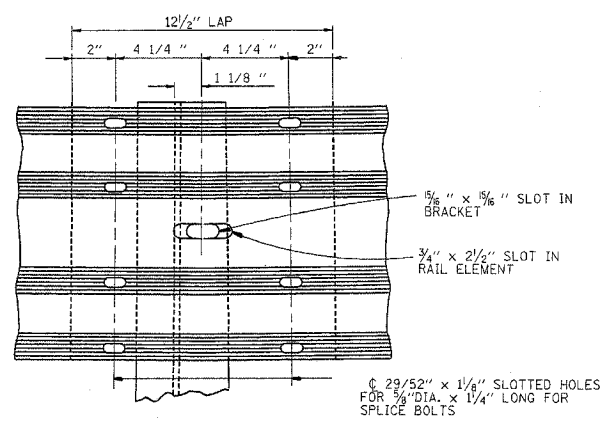
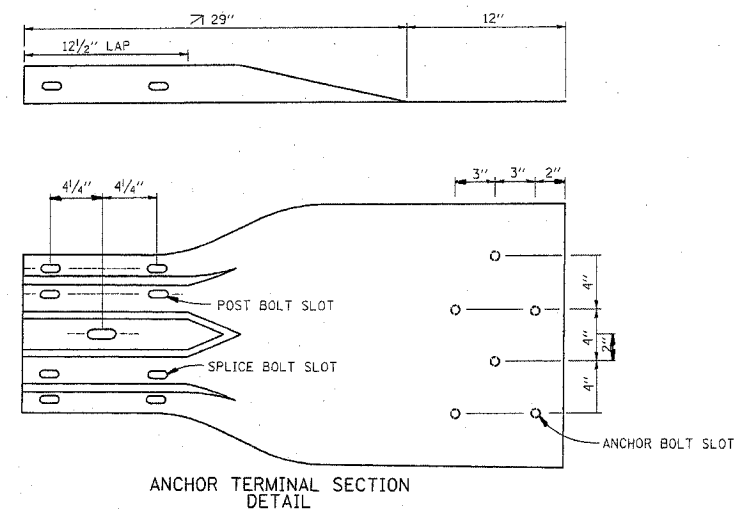


F. L. RFL.	SECTION	COUNTY	TOTAL SHEETS	SHEET NO.
VAR. 2005-026	GRR	*	18	13
STA.	TO STA.			
FED. ROAD DIST. NO.	ILLINOIS	FED. AID PROJECT		

* WILL, KANE, DU PAGE AND COOK
CONTRACT 62960



THIS SHEET IS FOR INFORMATION ONLY

REVISIONS	
NAME	DATE
CREATED	10-31-88

ILLINOIS DEPARTMENT OF TRANSPORTATION

DETAIL OF GUARDRAIL SUPPORT AND END ANCHORAGE

SCALE: NONE
DATE: 10/2/2006

DRAWN BY R.F.L.
CHECKED BY