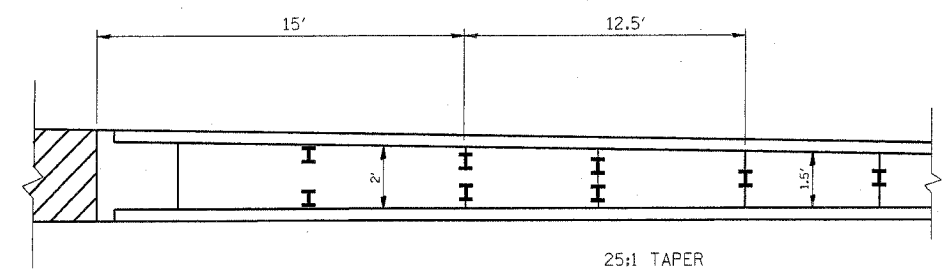
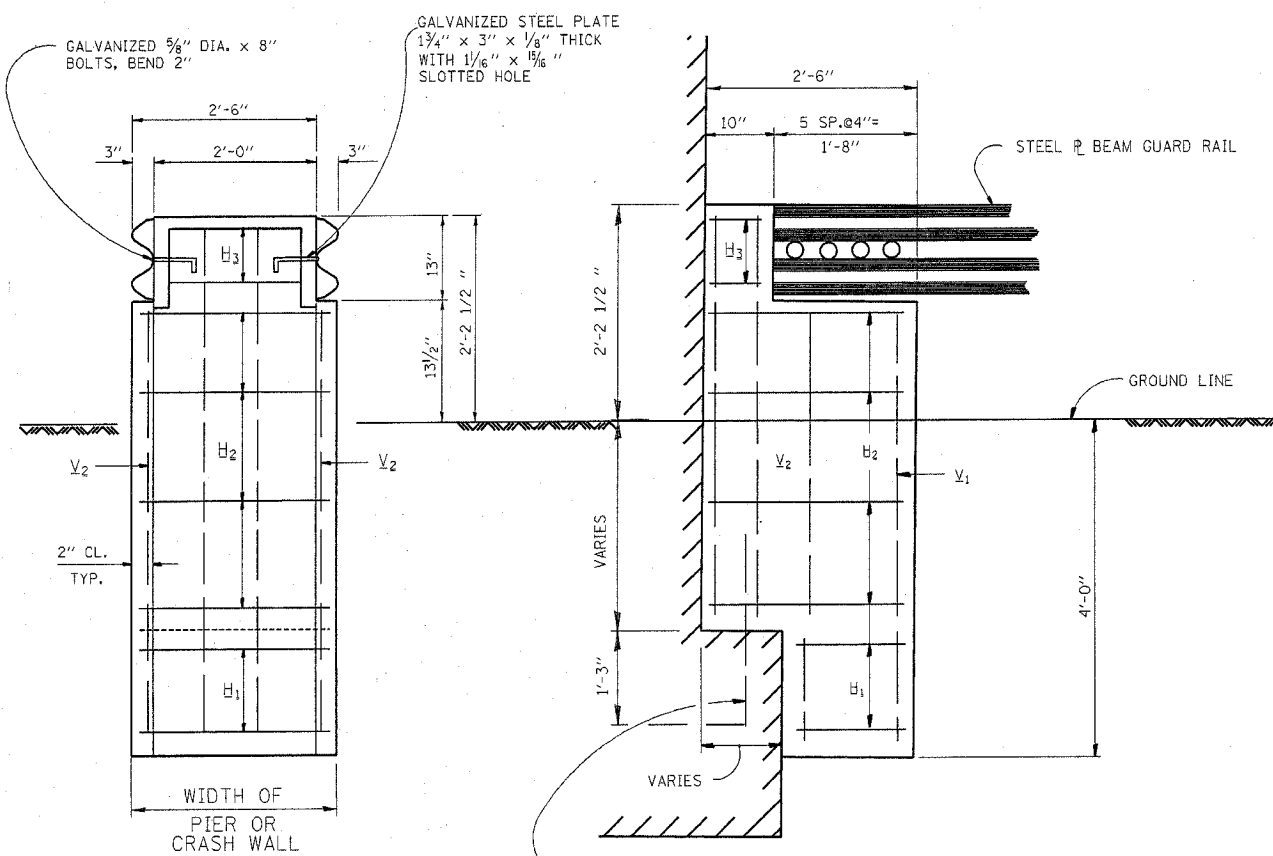


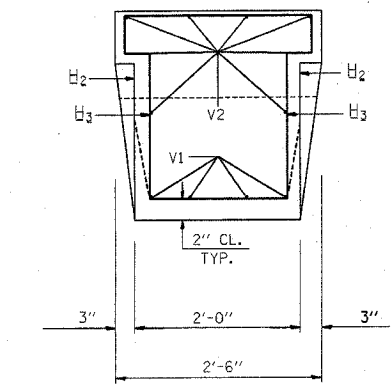
P.A. RTE.	SECTION	COUNTY	TOTAL SHEETS	SHEET NO.
VAR. 2005-027 GRR	*	19	9	
STA.	TO STA.			
FED. ROAD DIST. NO.	ILLINOIS	FED. AID PROJECT		

* MCHENRY, LAKE, KANE, COOK AND DUPAGE
CONTRACT 62961

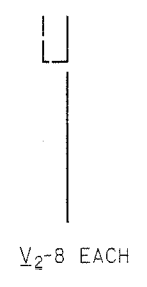
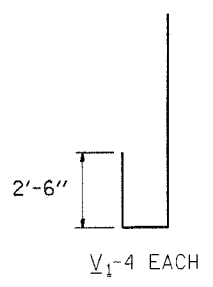
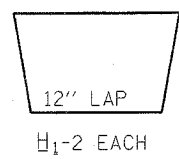
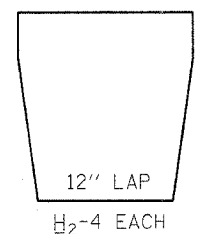
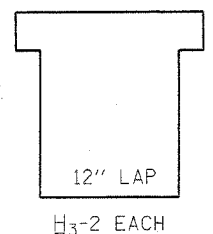


GUARD RAIL TRANSITIONS

NOTES: CLASS SI CONCRETE SHALL BE USED THROUGHOUT
 REINFORCEMENT TO BE SIZE #4 UNLESS OTHERWISE NOTED



#6 DOWEL BARS
 DRILL AND GROUT ON ROW OF THREE BARS



ILLINOIS DEPARTMENT OF TRANSPORTATION

**TYPICAL DETAILS FOR
 STEEL PLATE BEAM GUARDRAIL
 ANCHORAGE REPAIR**

SCALE: NONE
 DATE: 10/2/2006

DRAWN BY R.F.L.
 CHECKED BY

REVISIONS	
NAME	DATE
CREATED	10-31-88