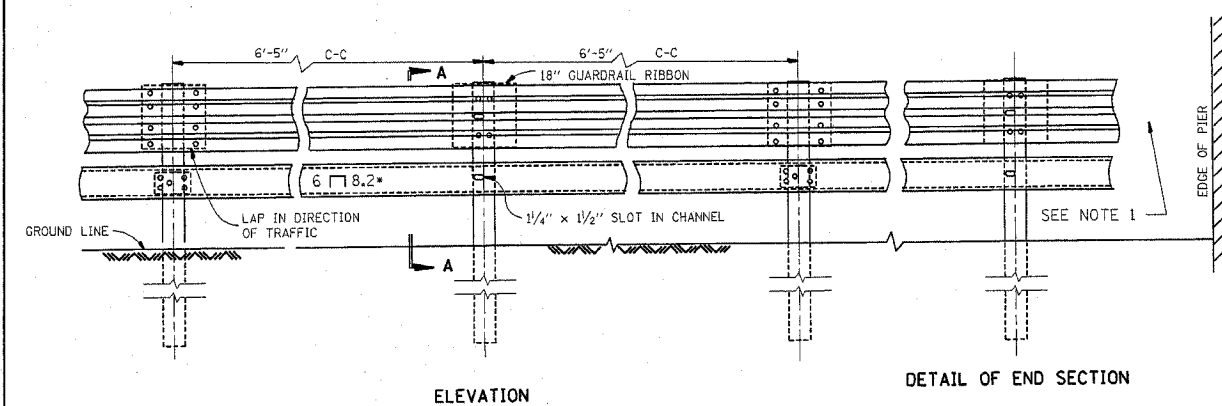


SECTION	COUNTY	TOTAL SHEETS	SHEET NO.
VAR. 2005-027 GRR	*	19	13
STA.	TO STA.		
FED. ROAD DIST. NO.	ILLINOIS	FED. AID PROJECT	

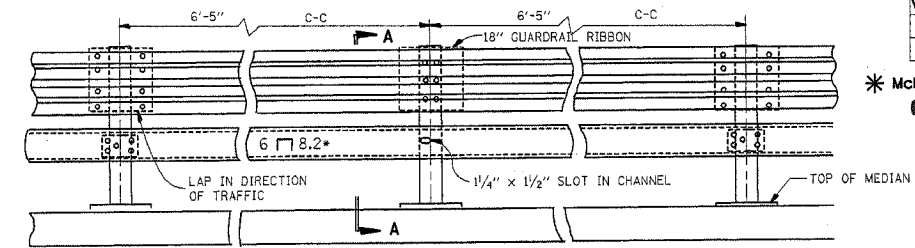
\* McHENRY, LAKE, KANE, COOK AND DUPAGE  
CONTRACT 62961



ELEVATION

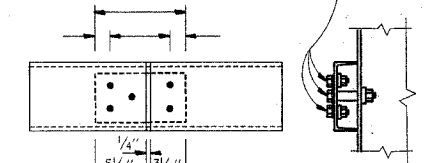
DETAIL OF END SECTION

NOTE 1:  
FOR DETAILS OF GUARDRAIL END ANCHORAGE  
AT PIERS, SEE SHEET NO. \_\_\_\_\_

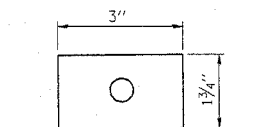


ELEVATION

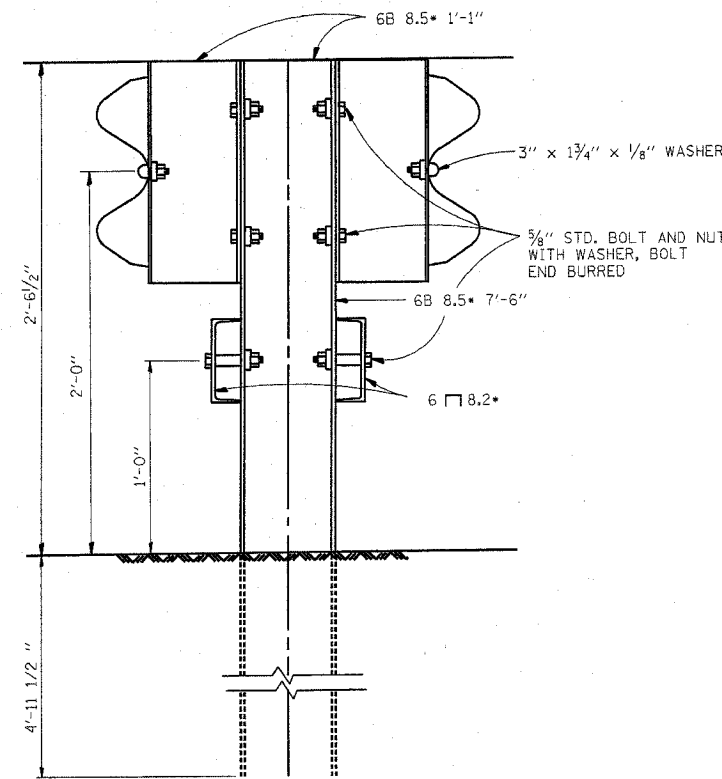
5/8" STD. BOLT AND NUT  
WITH WASHER, BOLT  
END BURRED



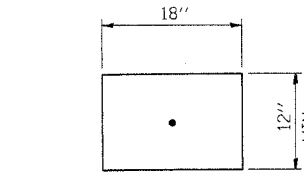
CHANNEL SPLICE  
PLATE 8 3/4" x 4 1/2" x 1/4"



WASHER  
PLATE 3" x 1 3/4" x 1/8"

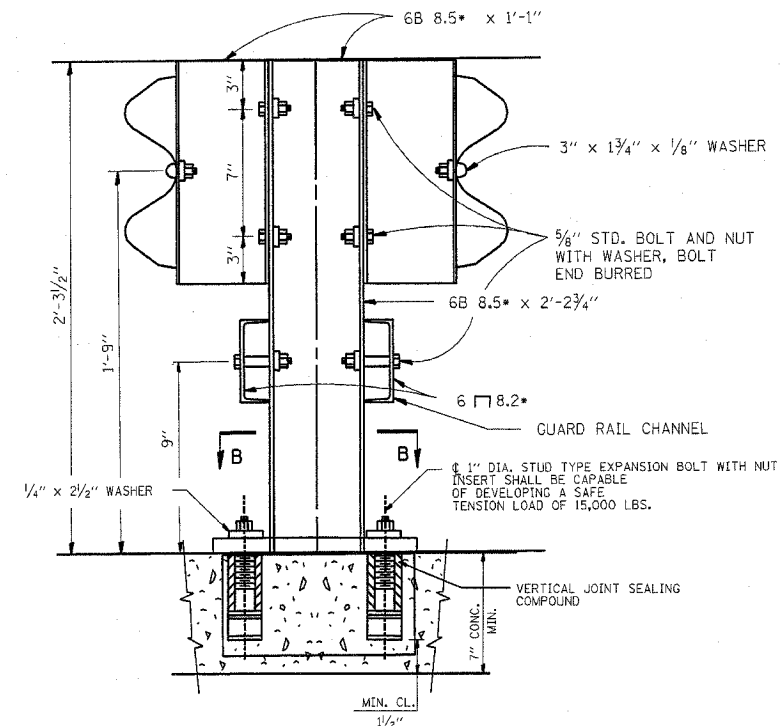


SECTION A-A



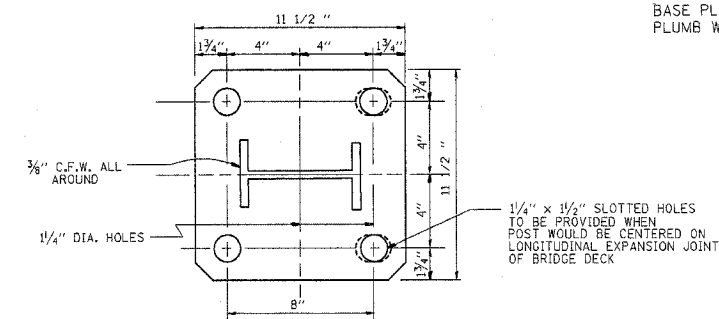
18" GUARDRAIL ELEMENT SPLICE

NOTE:  
FOR DETAIL OF RAIL ELEMENT, RAIL SPLICING, BOLT,  
AND NUT, SEE STATE STANDARD 630001.  
A 1 3/8" x 3" x 1/4" STEEL PLATE WASHER AS SHOWN ON THIS  
DRAWING SHALL BE PLACED BETWEEN THE BOLT HEAD  
AND THE GUARDRAIL RIBBON AT ALL MOUNTING POINTS.  
AN 18" PIECE OF GUARDRAIL RIBBON SHALL BE INSERTED  
BETWEEN THE CONTINUOUS RIBBON AND THE POST AT  
NON-SLICE MOUNTING POINTS.  
RAIL, CHANNELS, POSTS, BASE PLATES, FASTENINGS,  
AND ALL OTHER EXPOSED ACCESSORIES SHALL BE  
GALVANIZED.



SECTION A-A  
ANCHORAGE DETAIL

NOTE:  
ALL WELDS SHALL BE GROUND SMOOTH.  
POSTS SHALL BE CUT AND WELDED TO THE  
BASE PLATE SO THAT THE POSTS WILL BE  
PLUMB WHEN ERECTED.



RAIL POST BASE PLATE  
R 11 1/2" x 1/4" x 11 1/2"

SECTION B-B

REVISIONS	
NAME	DATE

ILLINOIS DEPARTMENT OF TRANSPORTATION

STEEL PLATE BEAM GUARDRAIL  
SPECIAL

SCALE: NONE  
DATE: 10/2/2006

DRAWN BY: R.F.L.  
CHECKED BY: \_\_\_\_\_

THIS SHEET IS FOR INFORMATION ONLY