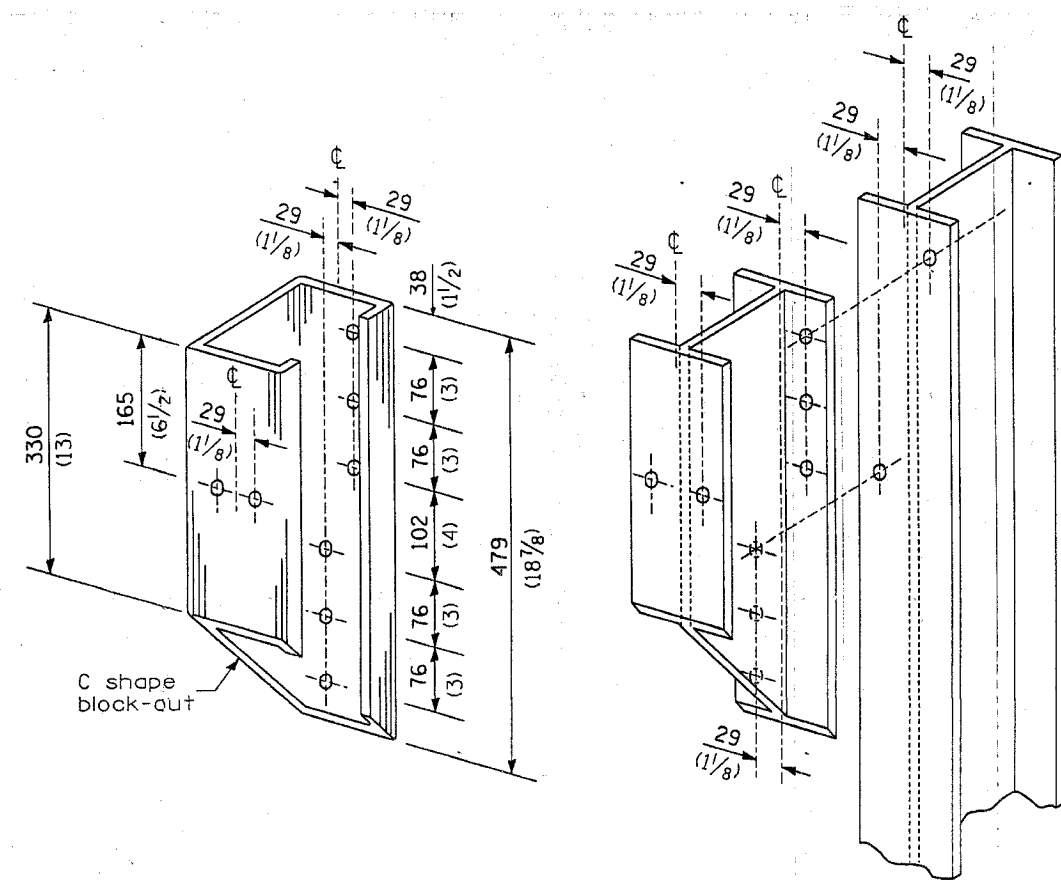


F. A. SHE.	SECTION	COUNTY	TOTAL SHEETS	SHEET NO.
VAR	2005-0270E	VAE	19	16
STA.	TO STA.			
FED. ROAD DIST NO 7	ILLINOIS	FED AID PROJECT		

Contract 0296



STEEL BLOCK-OUT AND
STEEL POST DETAILS

REVISIONS	
NAME	DATE

ILLINOIS DEPARTMENT OF TRANSPORTATION

STEEL PLATE BEAM GUARDRAIL
STEEL BLOCK-OUT DETAIL

SCALE: VERT.
HORIZ.
DATE

DRAWN BY
DESIGNED BY
CHECKED BY