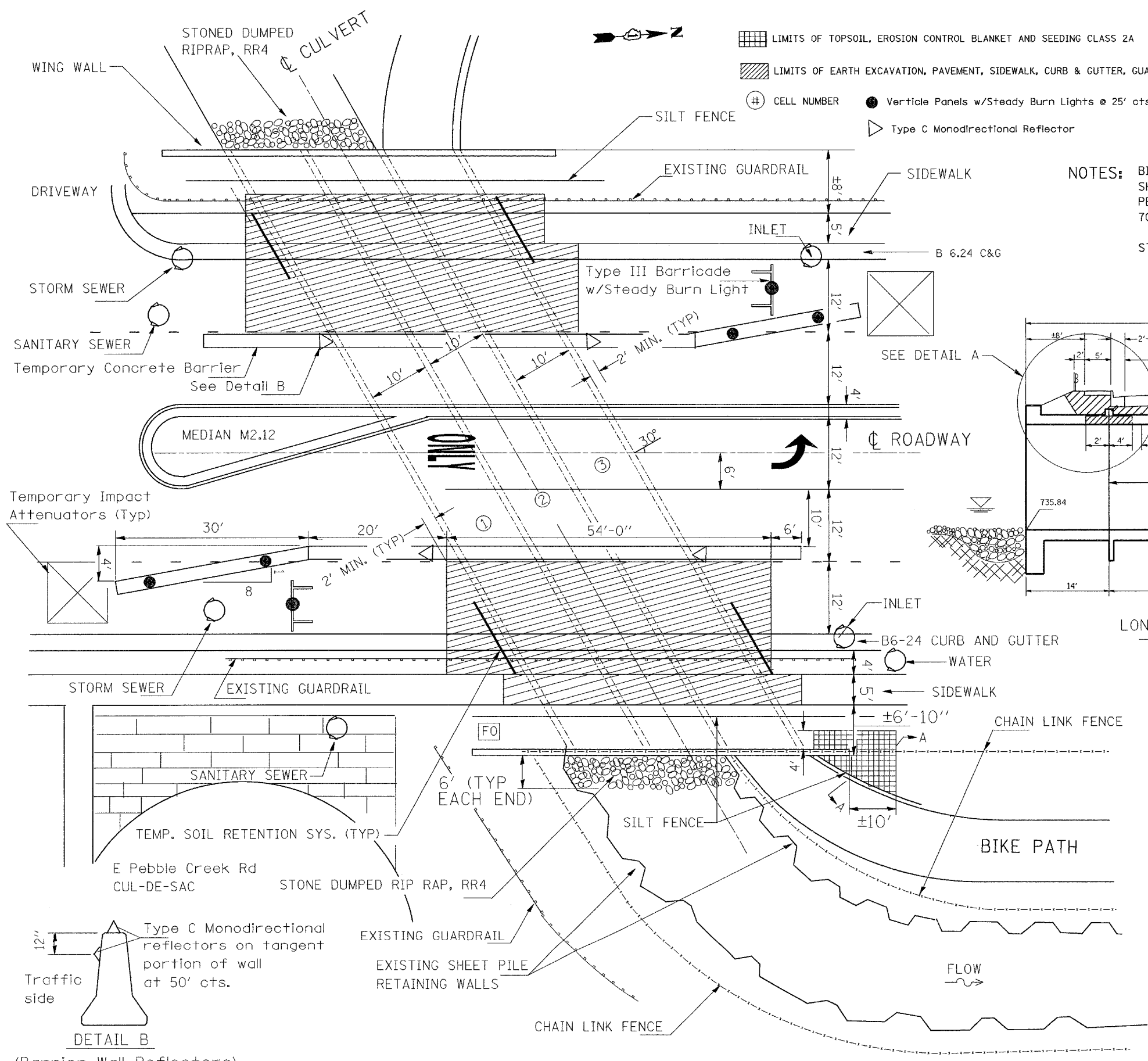


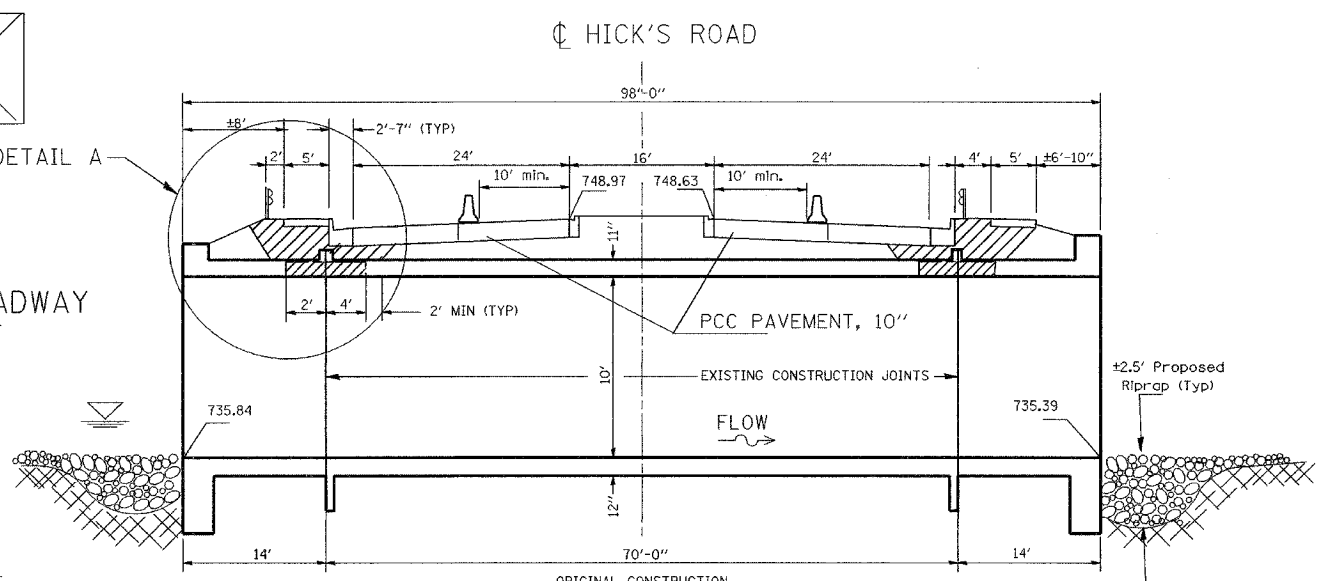
F.A.I. RTE.	SECTION	COUNTY	TOTAL SHEETS	SHEET NO.
2592	531-T	COOK	10	4

- LIMITS OF TOPSOIL, EROSION CONTROL BLANKET AND SEEDING CLASS 2A
- LIMITS OF EARTH EXCAVATION, PAVEMENT, SIDEWALK, CURB & GUTTER, GUARDRAIL REMOVAL & REPLACEMENT
- CELL NUMBER
- Vertical Panels w/Steady Burn Lights @ 25' cts.
- Type C Monodirectional Reflector



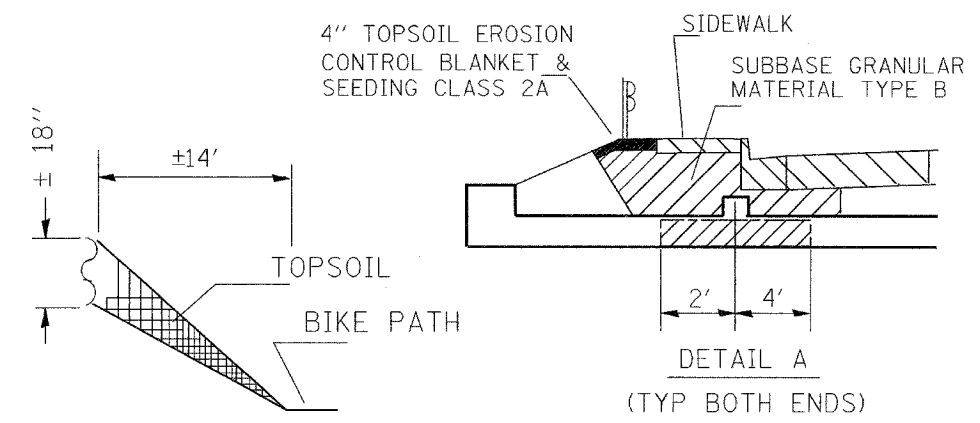
NOTES: BIKE/PEDESTRIAN PATH SHOULD BE CLOSED AND ADVANCED WARNING SIGNS SHOULD BE PLACED FAR ENOUGH AHEAD TO WARN BICYCLISTS AND PEDESTRIANS TO CROSS AT FIRST BANK DRIVE ACCORDING TO STANDARD 701801 WHEN WORKING IN CELL 3.

STONE DUMPED RIPRAP SHALL NOT REQUIRE FILTER FABRIC OR A BEDDING LAYER.



LONGITUDINAL SECTION (LOOKING NORTH)

ALL DIMENSIONS @ RIGHT ANGLES TO C OF ROADWAY



SECT A-A

REVISIONS	
NAME	DATE
RTB	9/19/06

ILLINOIS DEPARTMENT OF TRANSPORTATION
TYPICAL SECTION, ROADWAY PLANS
SCALE: VERT. HORIZ.
DATE
DRAWN BY
CHECKED BY

PLOT DATE = 9/26/2006
 PLOT NAME = C:\projects\121705\design\aa.dgn
 PLOT SCALE = 1/4" = 1'-0"
 USER NAME = borant