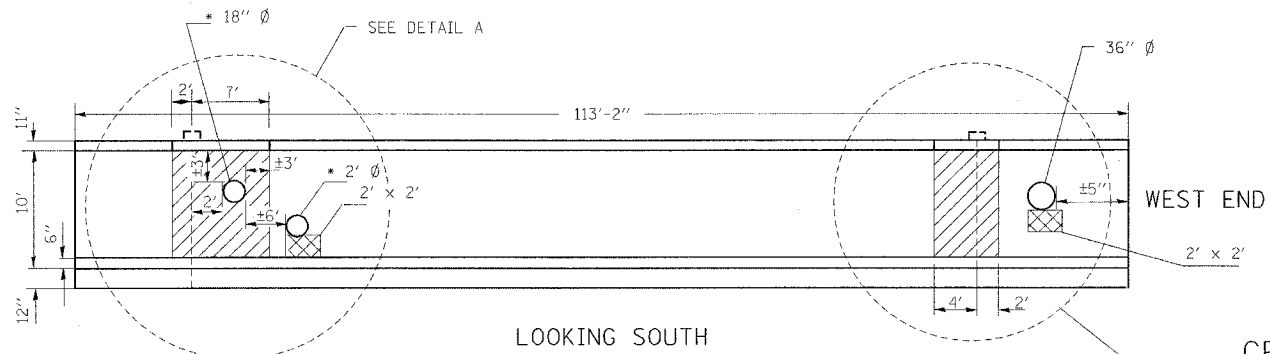
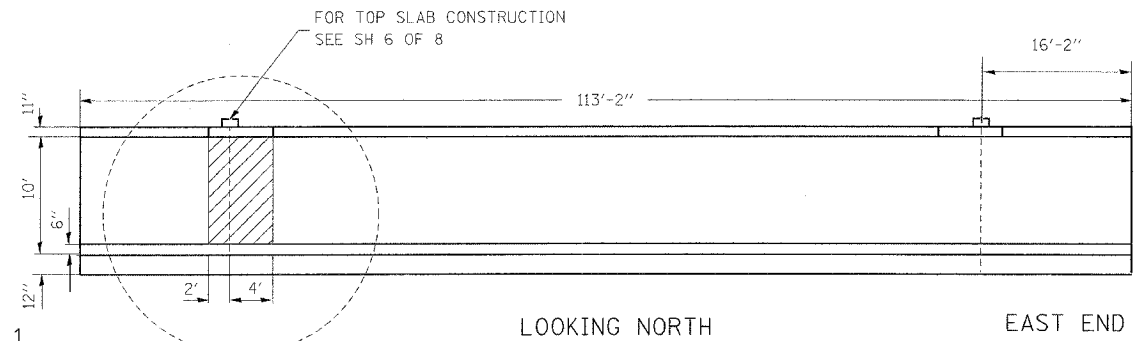


F.A.U. RTE.	SECTION	COUNTY	TOTAL SHEETS	SHEET NO.
2592	531-T	COOK	10	5

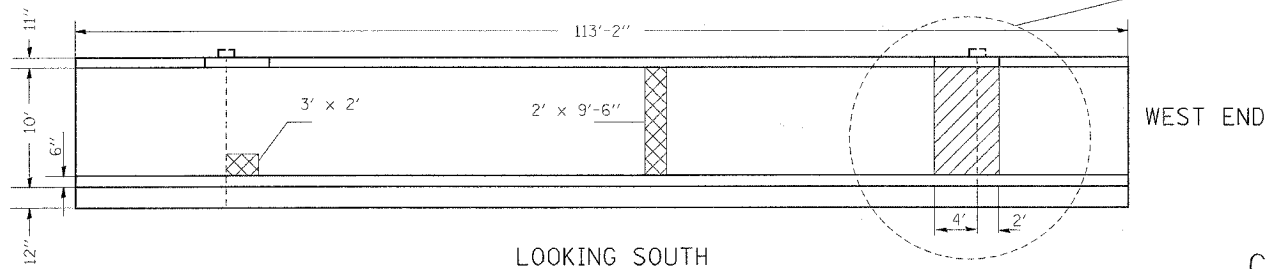


CELL 1

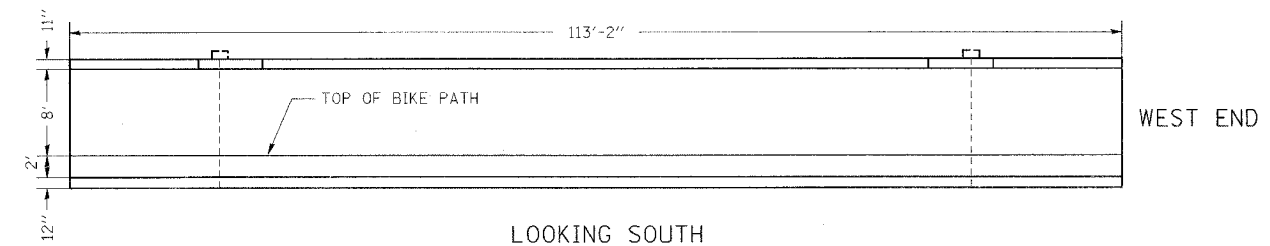
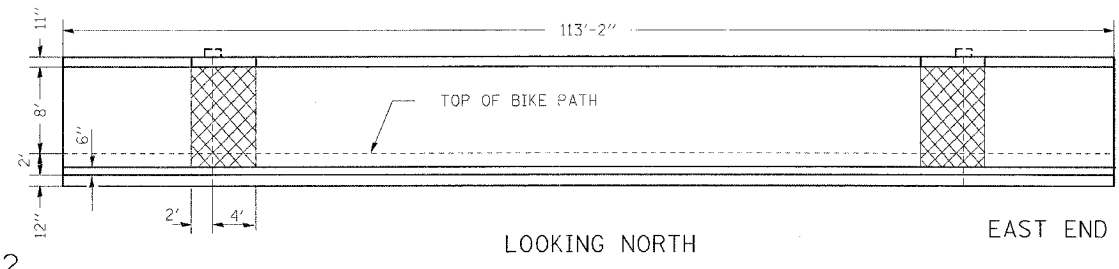


\* PIPES SHALL BE SUPPORTED DURING WALL REPAIRS. METHOD TO BE APPROVED BY THE ENGINEER. PIPE SHALL BE CUT FLUSH WITH THE INSIDE FACE OF WALL. COST INCLUDED IN CONCRETE REMOVAL.

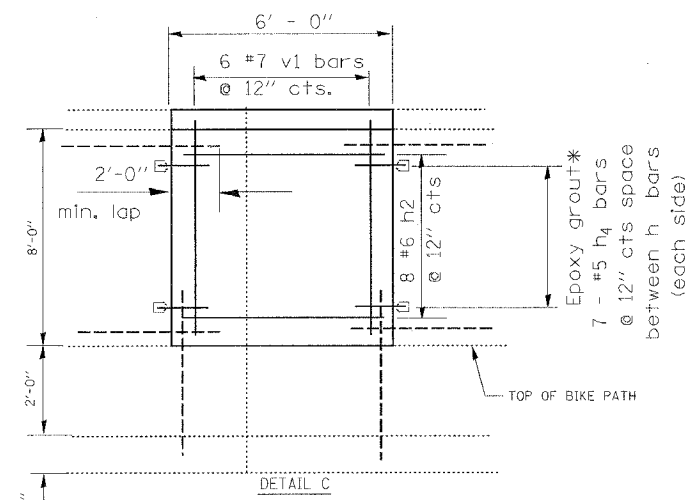
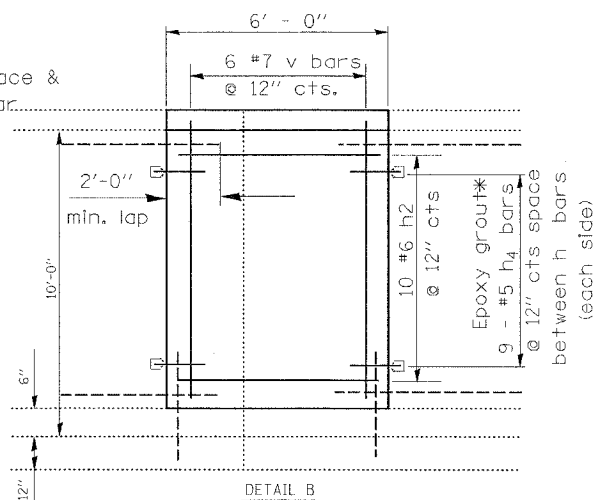
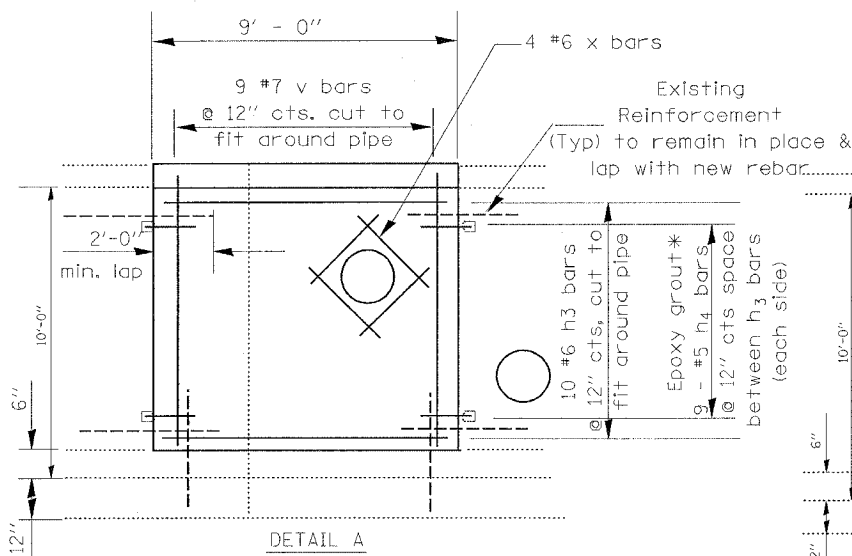
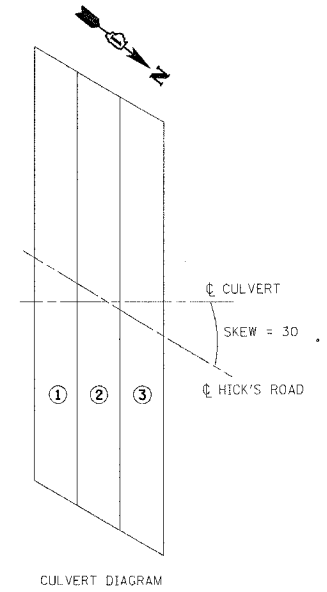
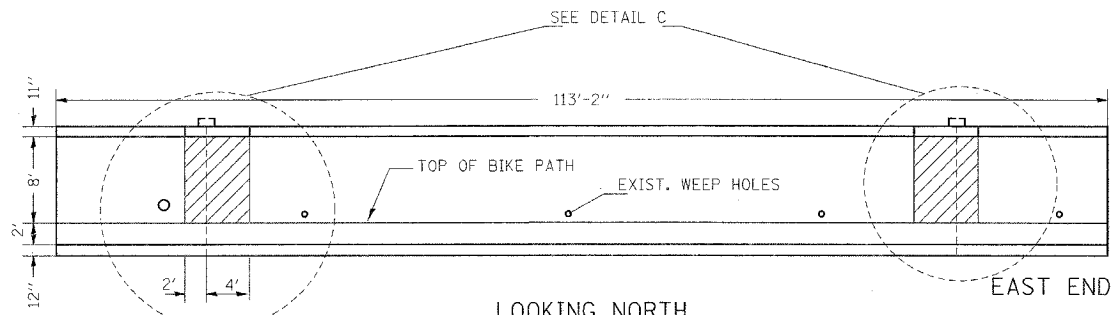
SEE DETAIL B



CELL 2



CELL 3



- CONCRETE REMOVAL AND CONCRETE BOX CULVERT
- FORMED CONCRETE REPAIR, ≤ 5"
- \* ACCORDING TO ART. 584 OF STD SPEC 9" MIN DEPTH

REVISIONS	
NAME	DATE

ILLINOIS DEPARTMENT OF TRANSPORTATION  
**CULVERT WALL REPAIRS**  
 SCALE: VERT. / HORIZ.  
 DATE / DRAWN BY / CHECKED BY