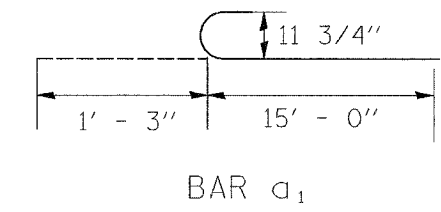


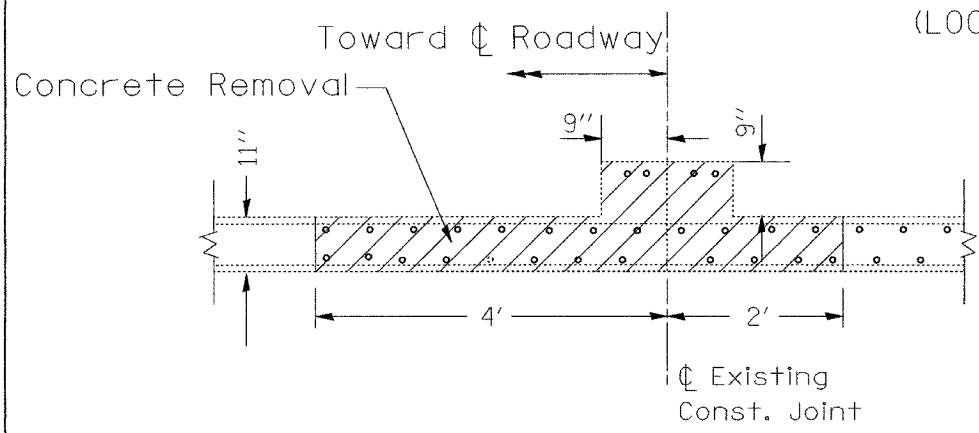
** Existing Lighting shall be protected and maintained. Coordinate with the Palatine Park District, Ed Tynczuk, (847) 705-5131.



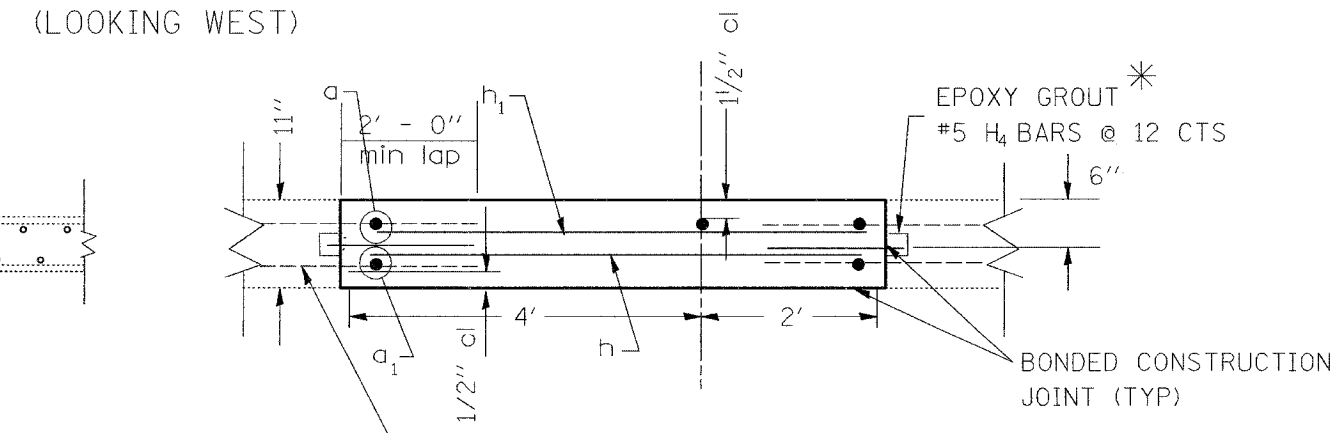
HALF SECTION THROUGH BARREL
(Dimensions @ RT Angles to Barrel)

BILL OF MATERIAL

BAR	No.	SIZE	LENGTH	SHAPE
a	64	#9	16'-3"	
a ₁	64	#9	6'-6"	—————
a ₂	32	#8	12'-9"	—————
h	70	#7	6'-8"	—————
h ₁	28	#7	6'-8"	—————
h ₂	36	#6	5'-9"	—————
h ₃	10	#6	8'-9"	—————
h ₄	210	#5	3'-6"	—————
v	21	#7	10'-0"	—————
v ₁	12	#7	8'-6"	—————
x	4	#6	3'-9"	—————
Concrete Box Culverts		CU YD	27.0	
Reinforcement Bars		POUND	8860	



SECTION A-A
(EXISTING TOP SLAB)



SECTION A-A
(PROPOSED TOP SLAB)

* ACCORDING TO ARTICLE 584 OF STANDARD SPECS. MIN. 9" DEPTH

REVISIONS		ILLINOIS DEPARTMENT OF TRANSPORTATION
NAME	DATE	
RTB	9/19/06	CELL TYPICAL SECTION BAR LIST
		SCALE: VERT. HORIZ.
		DRAWN BY CHECKED BY

PLOT DATE = 9/26/2006
 FILE NAME = d:\21795\design\design.dgn
 PLOT SCALE = 49.8773" / IN.
 USER NAME = bobart