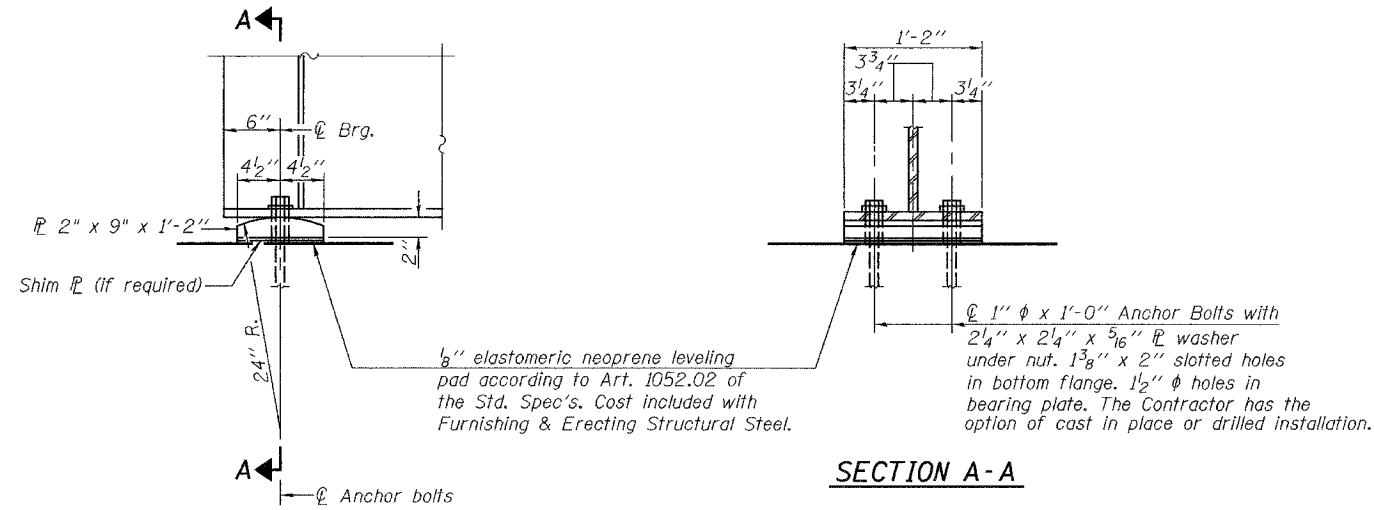


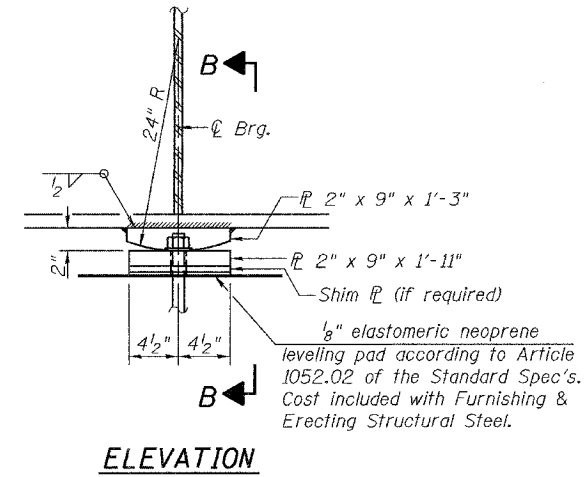
STATE OF ILLINOIS
DEPARTMENT OF TRANSPORTATION

ROUTE NO.	SECTION	COUNTY	SHEET NO.	SHEET NO.
F.A.I. 80	37-IHBR-1	HENRY	133	73
FED. ROAD DIST. NO. 7		BILLINGS	FED. AID PROJECT	

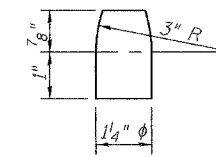
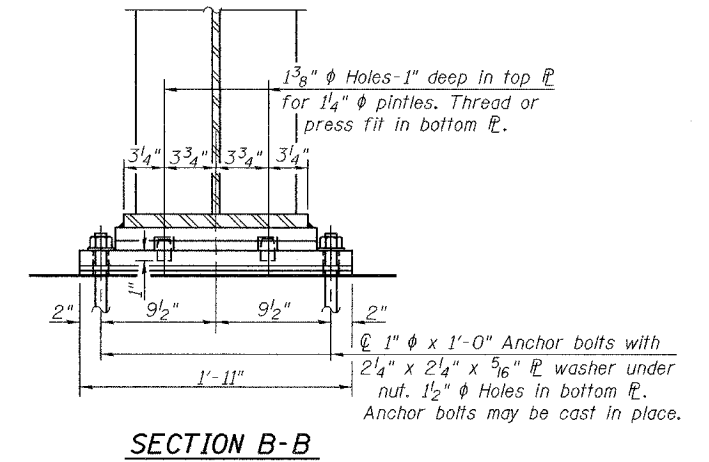
Contract #64602



FIXED BEARINGS AT ABUTMENTS
(12 Required)



FIXED BEARINGS AT PIER
(6 Required)



Note: For Anchor Bolt details, See Sheet 11 of 18.
All bearing plates shall be AASHTO M270 Grade 50.

DESIGNED	Michael D. Cima
CHECKED	Phillip R. Litchfield
DRAWN	R. Sommer
CHECKED	MDC/PRL

EXAMINED	September 25, 2006	Thomas J. Domagalaki
PASSED		Ralph E. Anderson

BEARING DETAILS
F.A.I. RT. 80 SEC. 37-IHBR-1
HENRY COUNTY
STATION 461+73.82
STRUCTURE NO. 037-0171