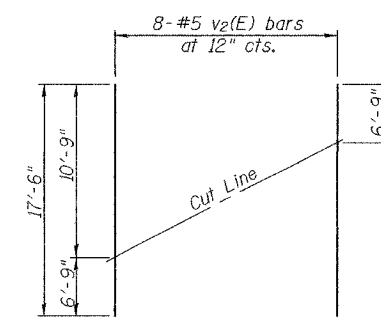
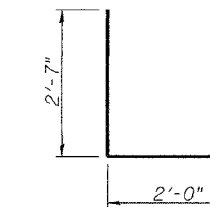
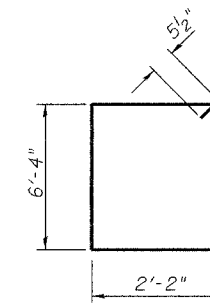
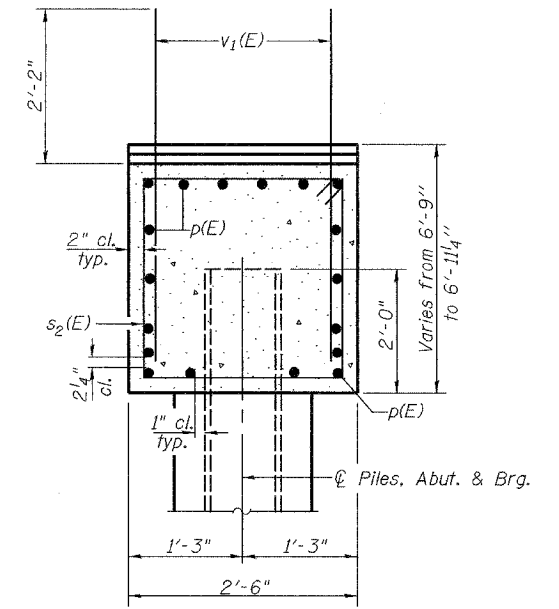
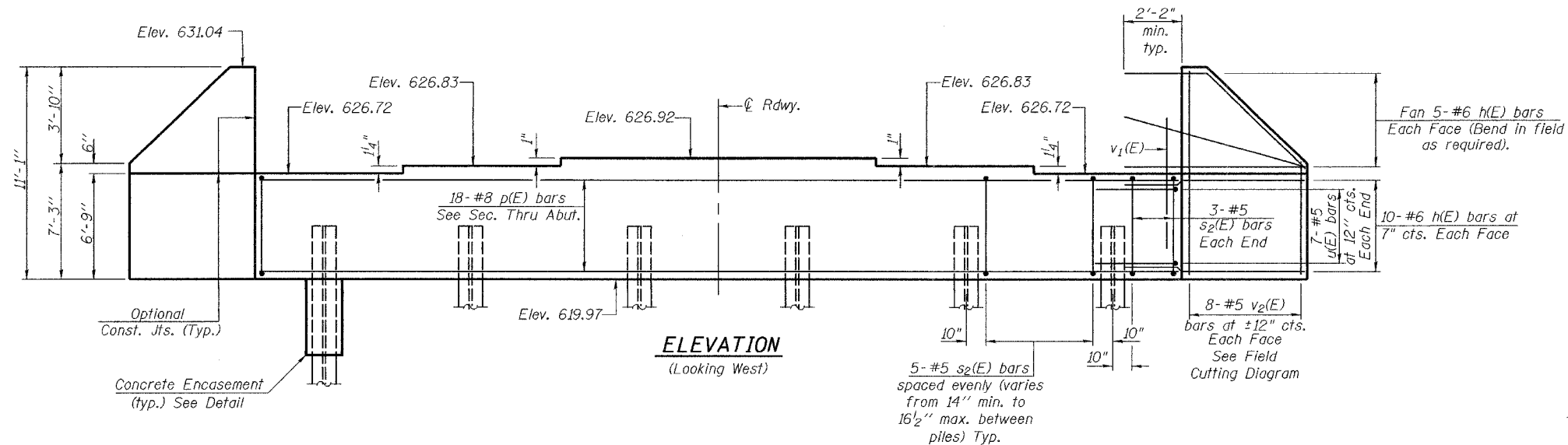


STATE OF ILLINOIS
DEPARTMENT OF TRANSPORTATION

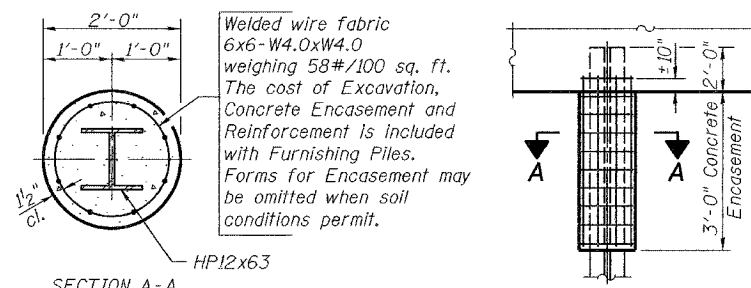
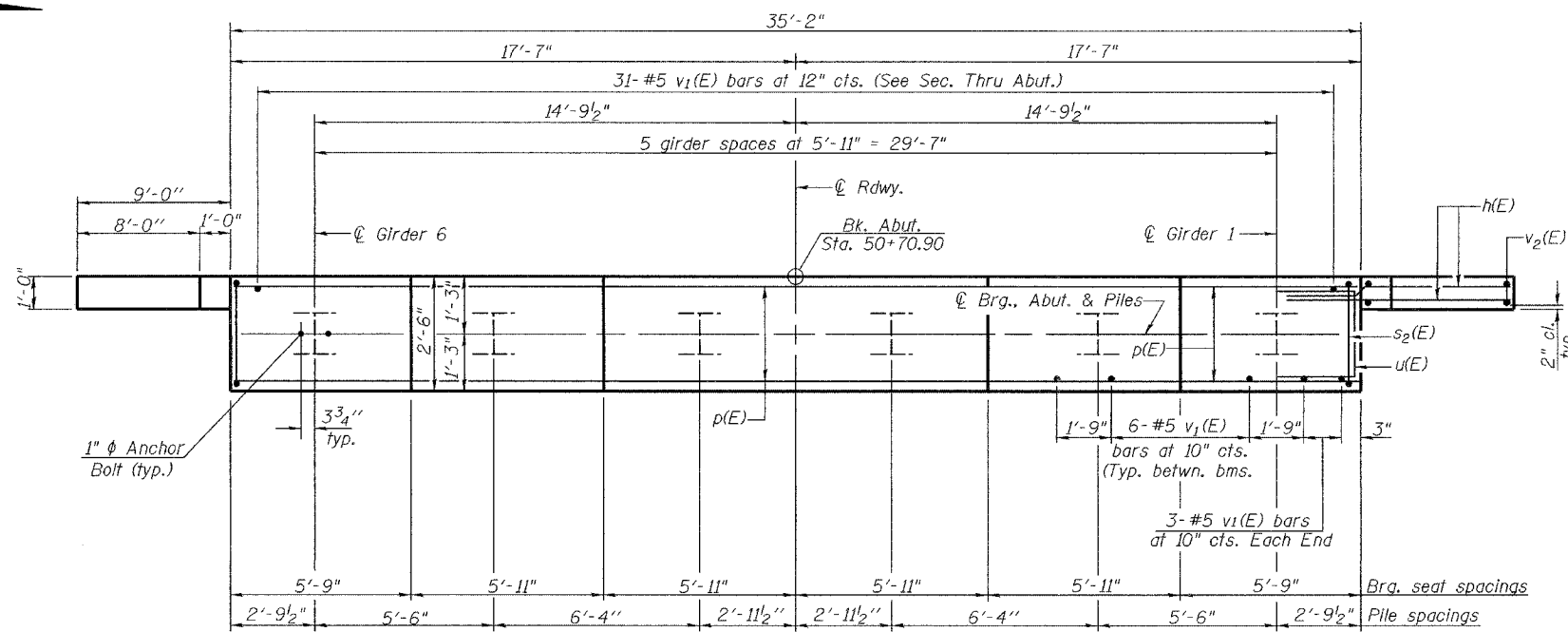
ROUTE NO.	SECTION	COUNTY	TOTAL SHEETS	SHEET NO.	SHEET NO. 12 18 SHEETS
F.A.I. 80	37-1HBR-1	HENRY	133	75	
FED. ROAD DIST. NO. 7	ILLINOIS	FED. AID PROJECT	Contract #64602		

Notes:
Pour steps monolithically with cap.
Reinforcement bars designated (E) shall be epoxy coated.
Space reinforcement in cap to miss anchor bolts.
For anchor bolt installation details see sheet 11 of 18.



BILL OF MATERIAL

Bar No.	Size	Length	Shape
h(E)	60 #6	11'-10"	—
p(E)	18 #8	34'-10"	—
s2(E)	31 #5	17'-11"	□
u(E)	14 #5	7'-2"	□
v1(E)	67 #5	4'-4"	—
v2(E)	16 #5	17'-6"	—
Concrete Structures	Cu. Yd.	28.4	
Reinforcement Bars, Epoxy Coated	Pound	4020	
Furnishing Steel Piles HP12x63	Foot	432	
Driving Piles	Foot	432	
Structure Excavation	Cu. Yd.	87.5	



PILE DATA

Type: Steel HP12x63
Nominal Required Bearing: 459 kips
Factored Resistance Available: 229.5 kips
Est. Length: 72'
No. of Production Piles: 6

PILE ENCASEMENT DETAIL

WEST ABUTMENT
F.A.I. RT. 80 SEC. 37-1HBR-1
HENRY COUNTY
STATION 461+73.82
STRUCTURE NO. 037-0171

DESIGNED	Michael D. Cima
CHECKED	Phillip R. Litchfield
DRAWN	R. Sommer
CHECKED	MDC/PRL

EXAMINED	Thomas J. Domagalaki	September 25 2006
PASSED	Ralph E. Anderson	