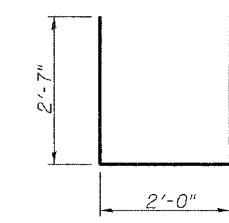
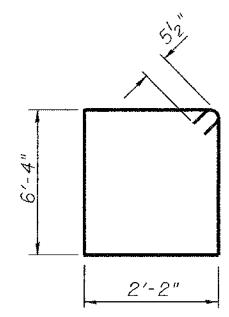
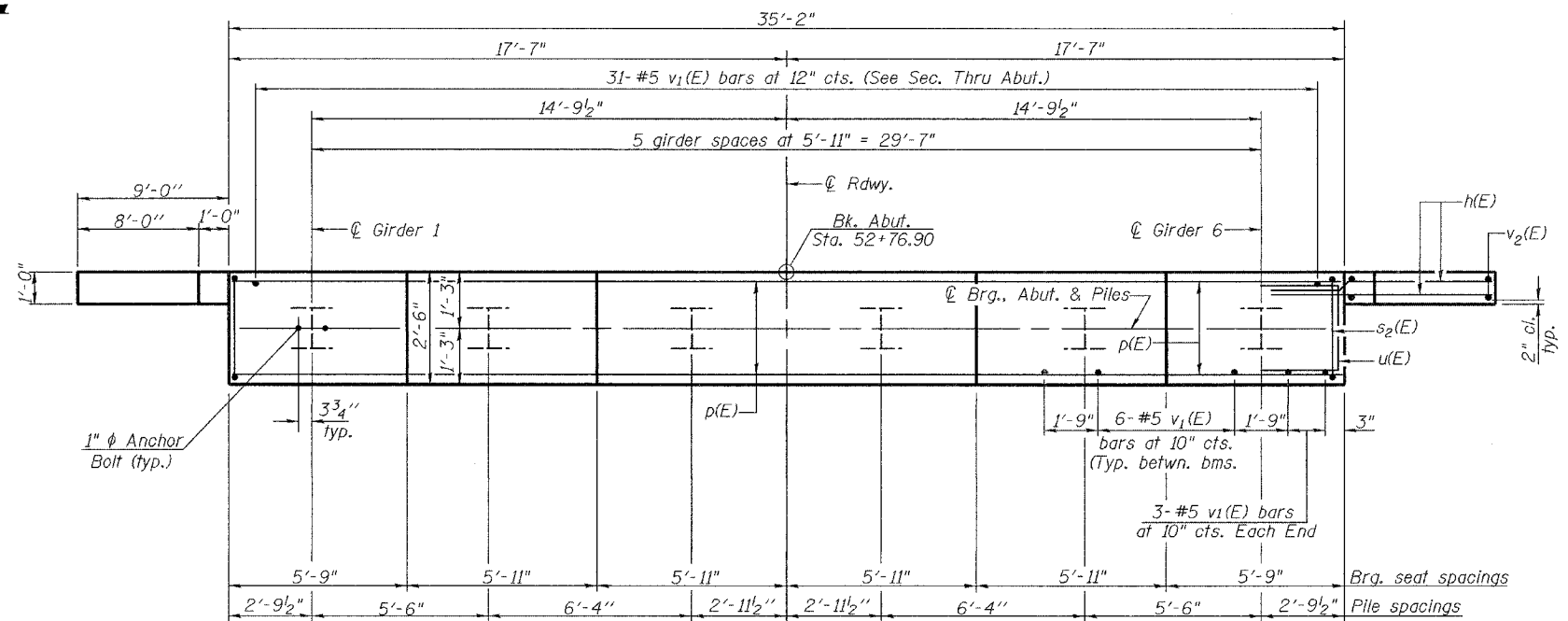
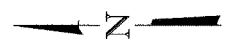
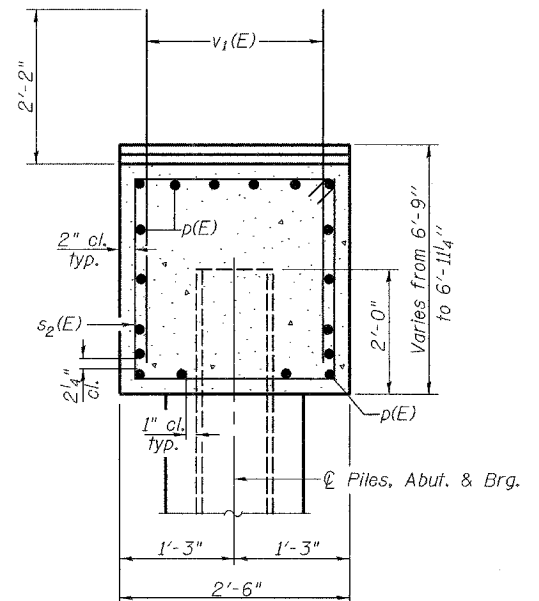
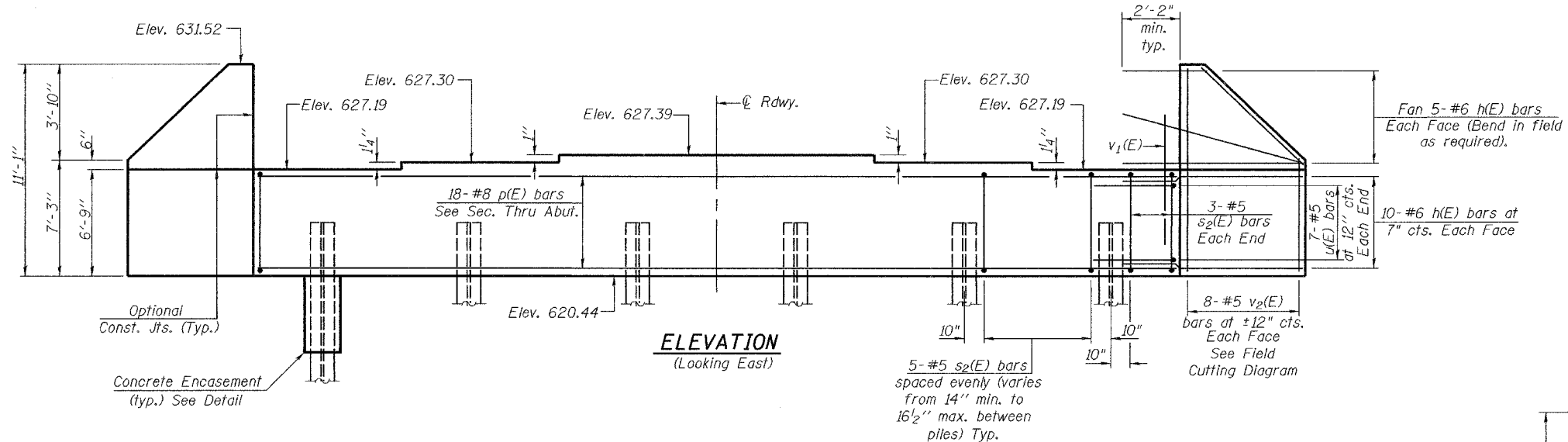


STATE OF ILLINOIS
DEPARTMENT OF TRANSPORTATION

ROUTE NO.	SECTION	COUNTY	STA. TOTALS	SHEET	SHEET NO. 13 18 SHEETS
F.A.I. 80	37-IHBR -1	HENRY	133	76	
FED. ROAD DIST. NO. 7	ILLINOIS	FED. AID PROJECT			

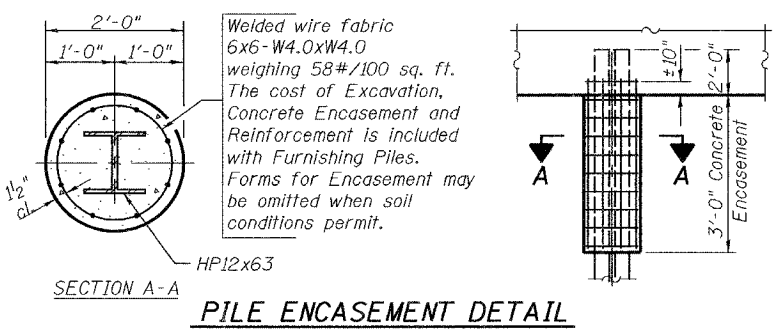
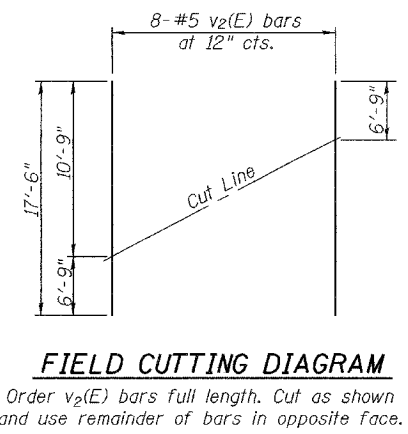
Contract #64602

Notes:
Pour steps monolithically with cap.
Reinforcement bars designated (E) shall be epoxy coated.
Space reinforcement in cap to miss anchor bolts.
For anchor bolt installation details see sheet 11 of 18.



BILL OF MATERIAL

Bar	No.	Size	Length	Shape
h(E)	60	#6	11'-10"	—
p(E)	18	#8	34'-10"	—
s2(E)	31	#5	17'-11"	U
u(E)	14	#5	7'-2"	□
v1(E)	67	#5	4'-4"	—
v2(E)	16	#5	17'-6"	—
Concrete Structures		Cu. Yd.	28.4	
Reinforcement Bars, Epoxy Coated		Pound	4020	
Furnishing Steel Piles HP12x63		Foot	370	
Driving Piles		Foot	370	
Structure Excavation		Cu. Yd.	87.5	
Test Pile Steel HP 12x63		Each	1	



PILE DATA
Type: Steel HP12x63
Nominal Required Bearing: 450 kips
Factored Resistance Available: 225 kips
Est. Length: 74'
No. of Production Piles: 5
No. of Test Piles: 1

DESIGNED Michael D. Cima
CHECKED Phillip R. Litchfield
DRAWN R. Sommer
CHECKED MDC/PRL

September 25 2006
EXAMINED Thomas J. Domagalaki
PASSED Ralph E. Anderson

EAST ABUTMENT
F.A.I. RT. 80 SEC. 37-IHBR-1
HENRY COUNTY
STATION 461+73.82
STRUCTURE NO. 037-0171