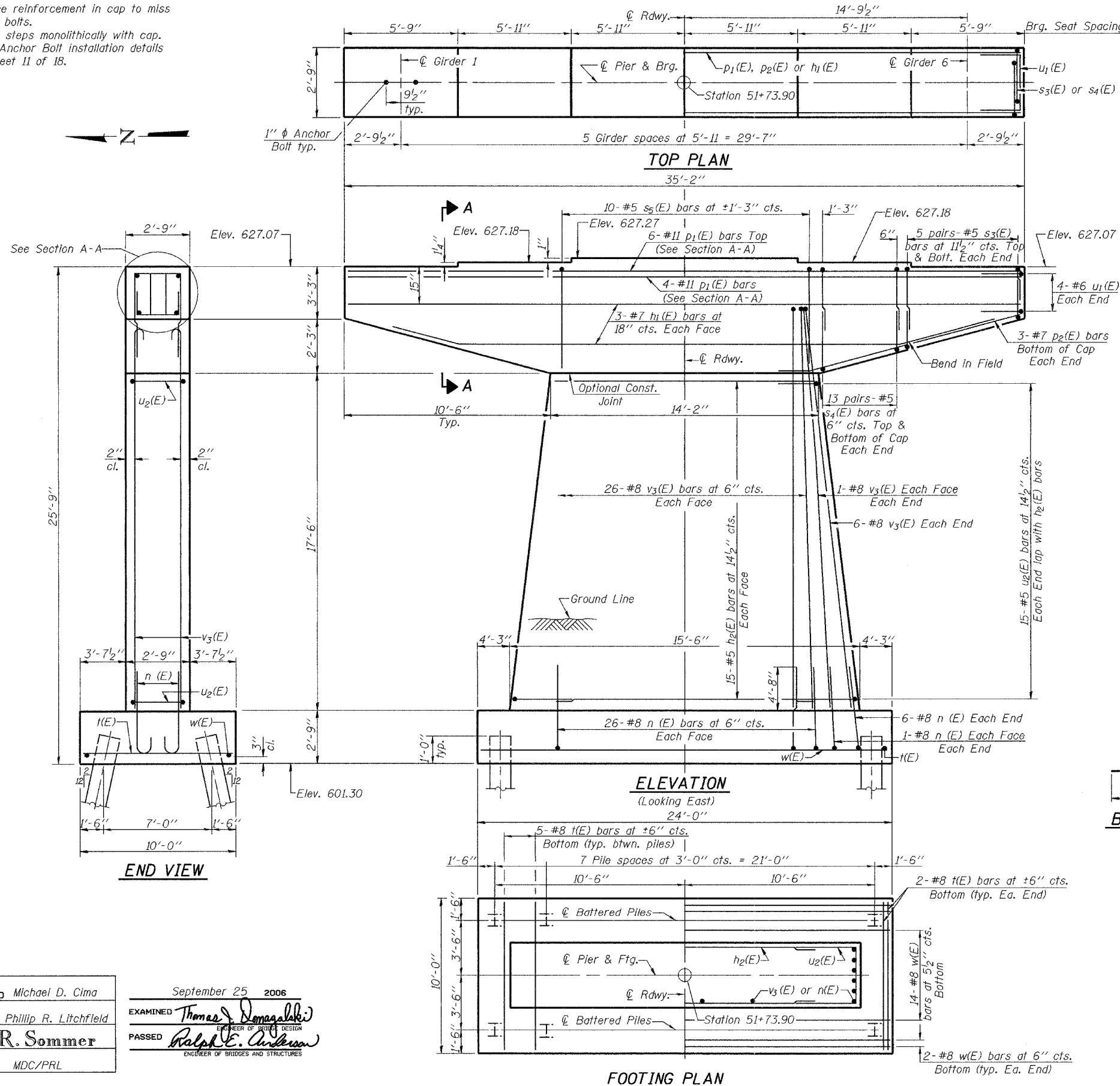


STATE OF ILLINOIS  
DEPARTMENT OF TRANSPORTATION

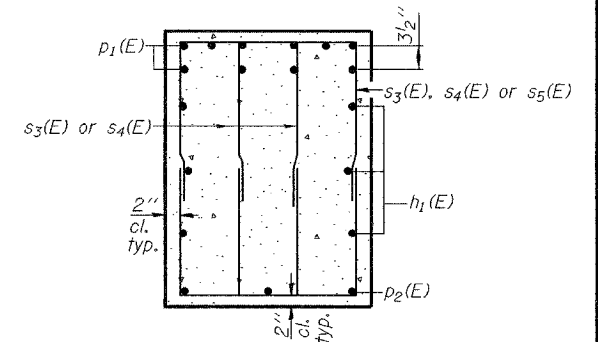
ROUTE NO.	SECTION	COUNTY	TOTAL SHEETS	SHEET NO.
F.A.I. 80	37-IHBR-1	HENRY	133	77
FED. ROAD DIST. NO. 7		ILLINOIS	FED. AID PROJECT	
Contract #64602				

Notes:  
Space reinforcement in cap to miss anchor bolts.  
Pour steps monolithically with cap.  
For Anchor Bolt installation details See sheet 11 of 18.



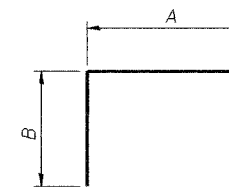
**PILE DATA**

Type: Steel HP12x63  
Nominal Required Bearing: 442.8 kips  
Factored Resistance Available: 221.4 kips  
Est. Length: 55'  
No. of Production Piles: 15  
No. of Test Piles: 1



**SECTION A-A**

**BARS s3(E), s4(E) & s5(E)**



**A & B DIMENSIONS**

Bar	A	B
S3(E)	1'-5"	3'-0"
S4(E)	1'-5"	3'-8"
S5(E)	2'-4"	5'-2"

**BILL OF MATERIAL**

Bar	No.	Size	Length	Shape
h1(E)	6	#7	34'-10"	—
h2(E)	30	#5	13'-10"	—
n(E)	68	#8	8'-0"	—
p1(E)	10	#11	34'-10"	—
p2(E)	6	#7	12'-2"	—
s3(E)	40	#5	7'-5"	□
s4(E)	104	#5	8'-9"	□
s5(E)	10	#5	12'-8"	□
t(E)	39	#8	9'-8"	—
u1(E)	8	#6	7'-5"	—
u2(E)	30	#5	8'-5"	—
v3(E)	68	#8	20'-5"	—
w(E)	18	#8	23'-8"	—
Structure Excavation	Cu. Yd.	87.0		
Concrete Structures	Cu. Yd.	68.4		
Reinforcement Bars, Epoxy Coated	Pound	11910		
Furnishing Steel Piles HP12x63	Foot	825		
Driving Piles	Foot	825		
Test Pile Steel HP12x63	Each	1		

Reinforcement Bars designated (E) shall be epoxy coated.

**PIER**  
F.A.I. RT. 80 SEC. 37-IHBR-1  
HENRY COUNTY  
STATION 461+73.82  
STRUCTURE NO. 037-0171

DESIGNED Michael D. Cima  
CHECKED Phillip R. Litchfield  
DRAWN R. Sommer  
CHECKED MDC/PRL

September 25 2006  
EXAMINED Thomas J. Domagala  
PASSED Ralph E. Anderson