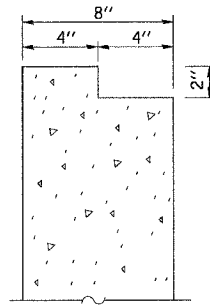
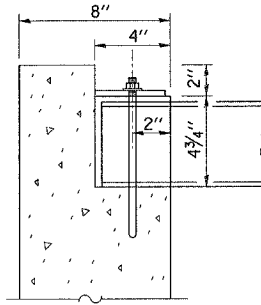


F.A.P. RTE.	SECTION	COUNTY	TOTAL SHEETS	SHEET NO.
17	16-T	CARROLL	47	21
FED. ROAD DIST. NO.	ILLINOIS	FED. AID PROJECT		

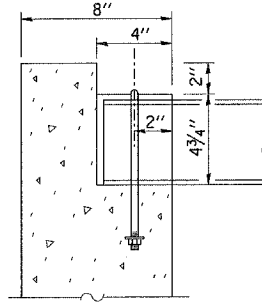
**CONTRACT NO. 64897**



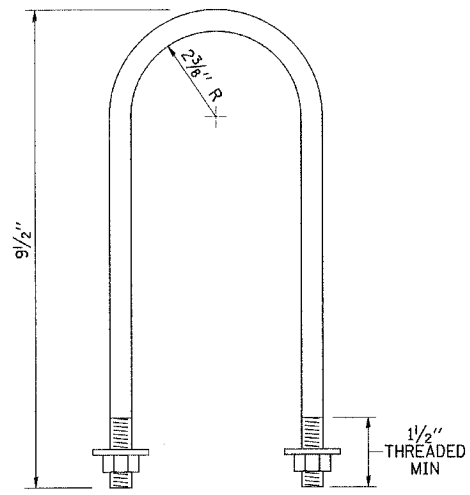
**SECTION C-C**



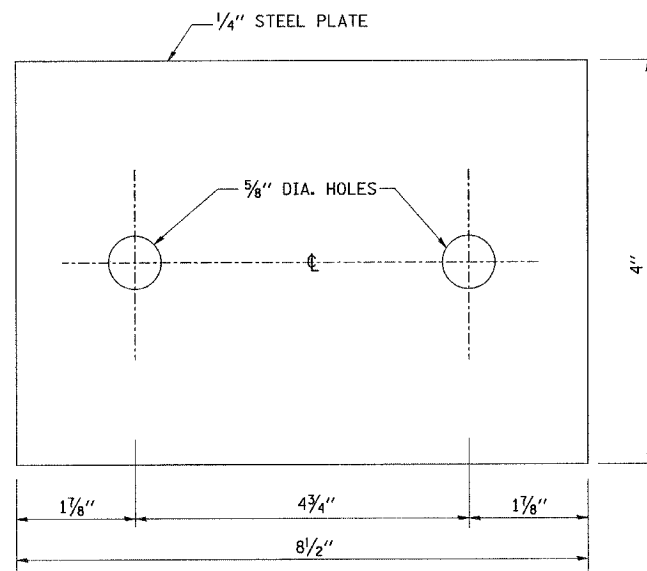
**SECTION D-D**



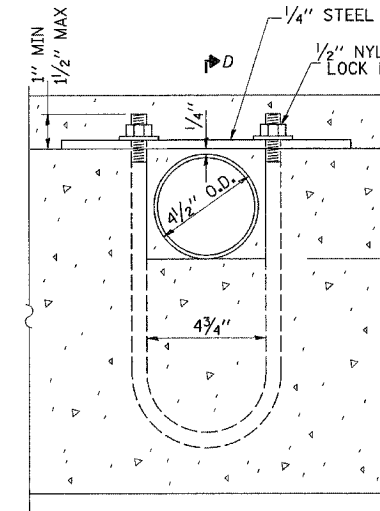
**SECTION E-E**



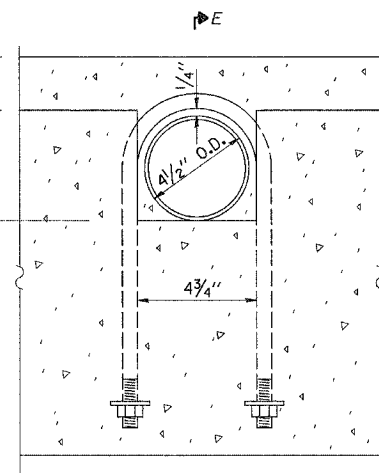
**1/2" U BOLT**  
(10 REQ'D)



**TOP ANCHOR PLATE**  
(5 REQ'D)



**VIEW A-A**



**VIEW B-B**

REVISIONS	
NAME	DATE

ILLINOIS DEPARTMENT OF TRANSPORTATION  
  
FAP ROUTE 17  
CULVERT DROP BOX DETAILS  
STA 1441+04.2

DATE 8/10/2006  
DRAWN BY TAC  
CHECKED BY BAN