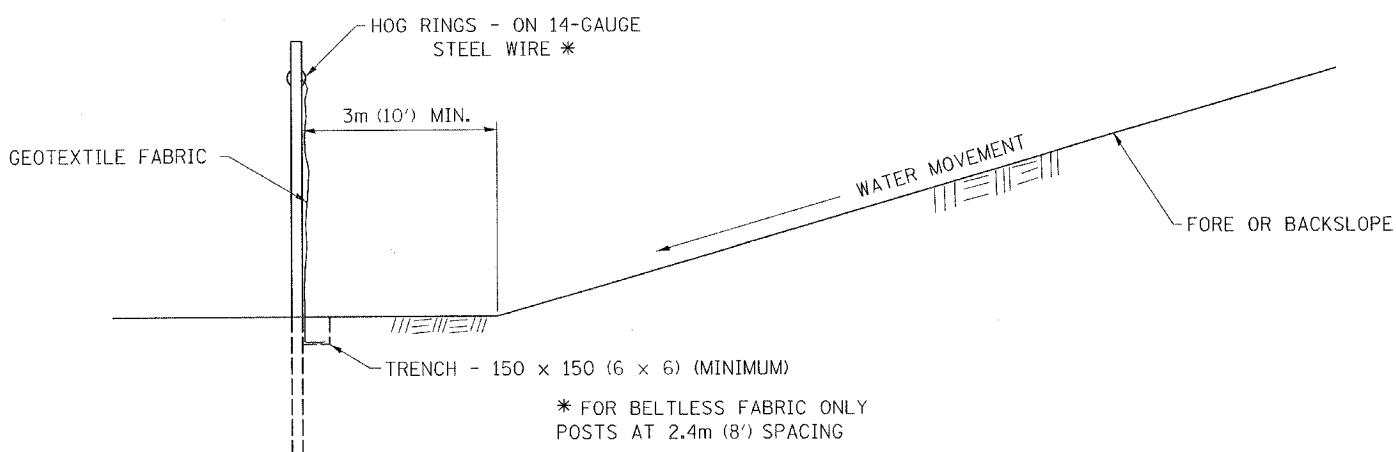
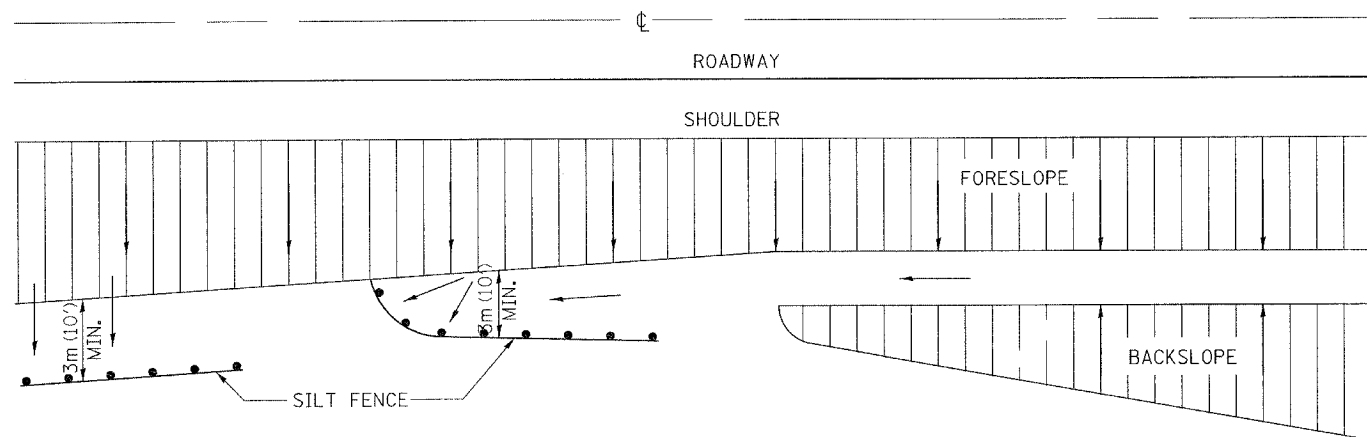


F.A.P. RTE.	SECTION	COUNTY	TOTAL SHEETS	SHEET NO.
17	16-T	CARROLL	47	29
STA.			TO STA.	
FED. ROAD DIST. NO.	ILLINOIS	FED. AID PROJECT		

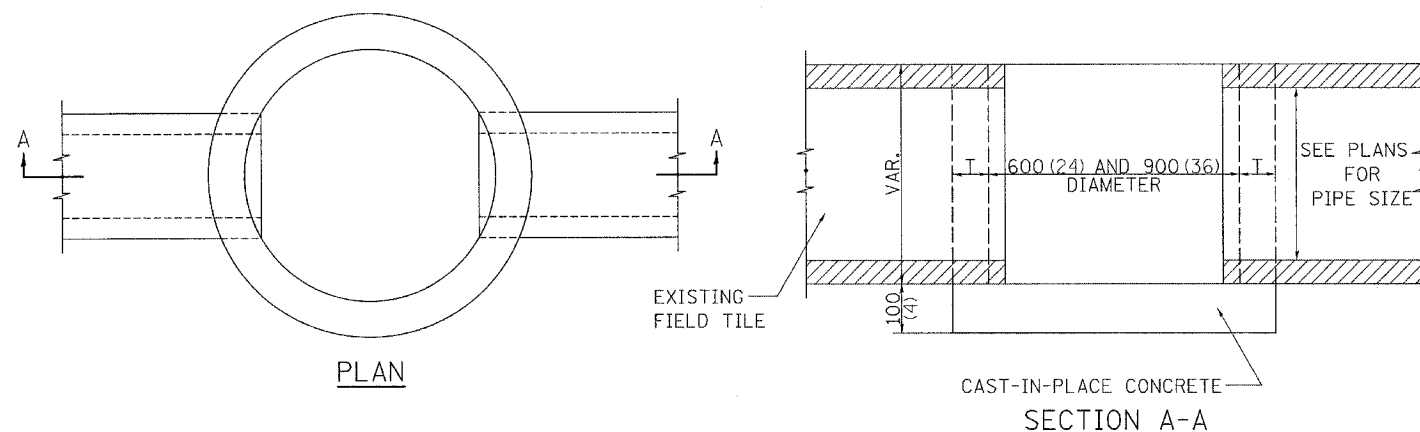
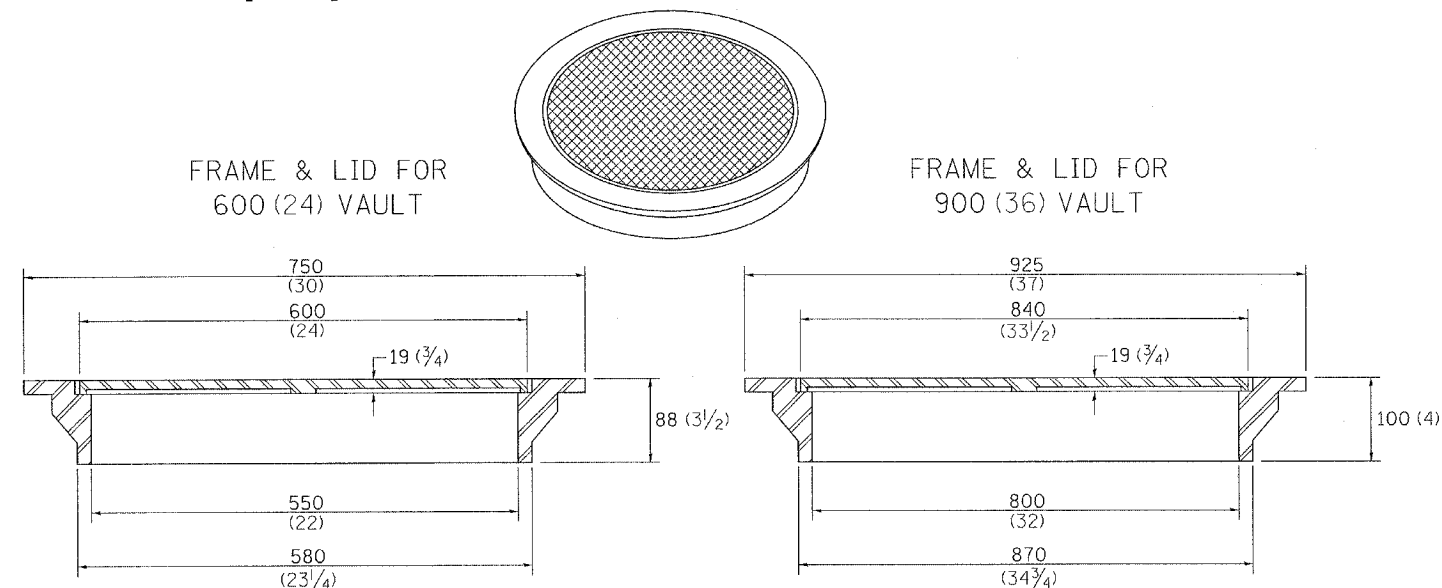
# EROSION CONTROL DETAILS FOR SILT FENCE

# FIELD TILE JUNCTION VAULTS 600 (24) AND 900 (36) DIA.



DETAILS OF SILT FENCE

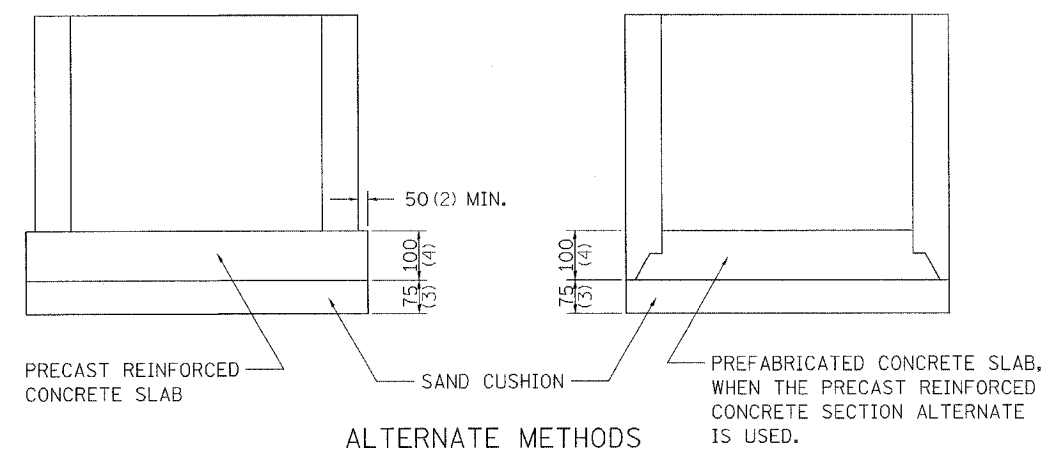
ALL DIMENSIONS ARE IN MILLIMETERS (INCHES) UNLESS OTHERWISE NOTED.



ALTERNATE MATERIALS FOR WALLS	T
BRICK MASONRY	200 (8)
CAST-IN-PLACE CONCRETE	150 (6)
CONCRETE MASONRY UNIT	125 (5)
PRECAST REINFORCED CONCRETE SECTION	75 (3)

NOTE: THE FRAME AND LID IS REQUIRED ON ALL JUNCTION VAULTS.

ALL DIMENSIONS ARE IN MILLIMETERS (INCHES) UNLESS OTHERWISE NOTED.



ALTERNATE METHODS

PLOT DATE = 88/09/2006  
 FILE NAME = V:\2244\2244-7\Frm 100\atender.dwg  
 PLOT SCALE = 400 in / in  
 REFERENCE = REF