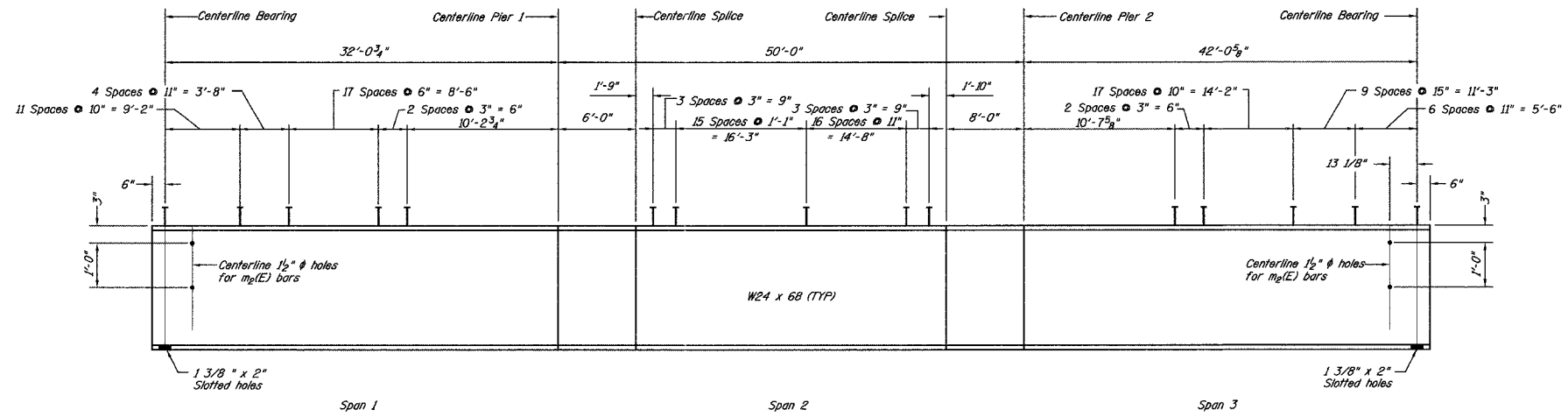


STATE OF ILLINOIS  
DEPARTMENT OF TRANSPORTATION

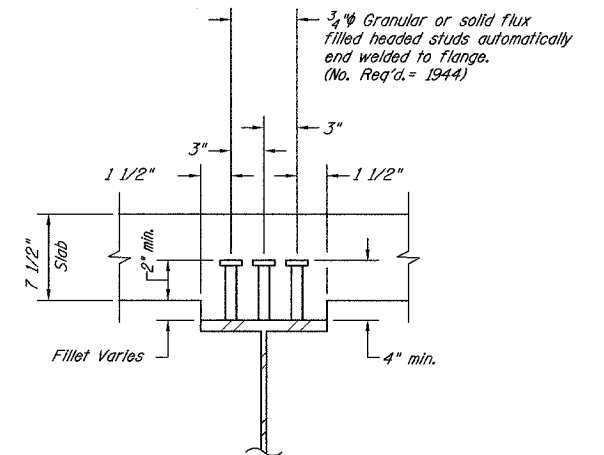
ROUTE NO.	SECTION	COUNTY	SHEET	SHEET NO.
FAS 2247	13X-BR-1	BUREAU	51	20
FED. ROAD DIST. NO. 7		ILLINOIS	FED. AID PROJECT-	

Contract #64938

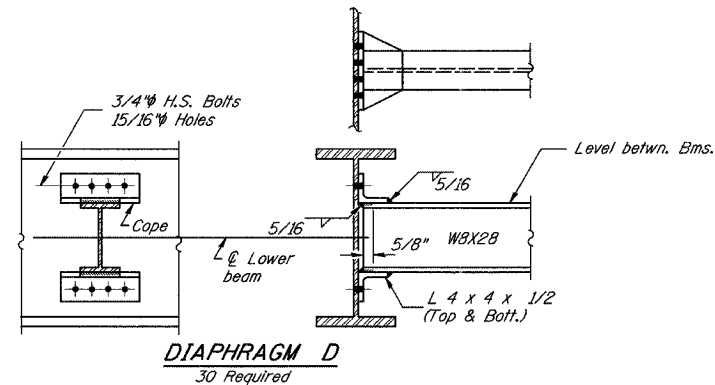


BEAM ELEVATION SHOWING STUDS  
(324 Studs Req'd / Beam)

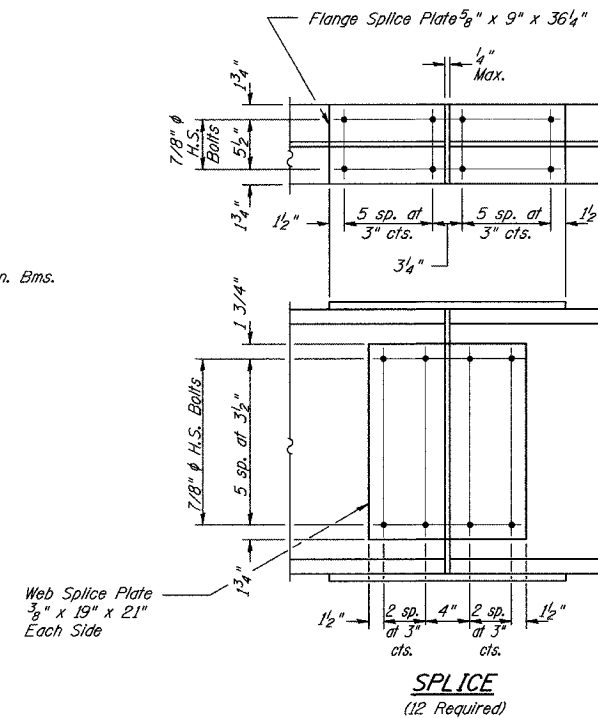
TOP OF BEAM ELEVATION (FOR FABRICATION ONLY)						
Beam	Centerline Brg. W. Abut.	Centerline Pier 1	Centerline Splice 1	Centerline Splice 2	Centerline Pier 2	Centerline Brg. E. Abut.
1	632.96	632.76	632.72	632.54	632.51	632.33
2	633.08	632.88	632.85	632.67	632.63	632.46
3	633.19	632.99	632.96	632.78	632.74	632.57
4	633.21	633.01	632.97	632.79	632.76	632.59
5	633.13	632.93	632.90	632.72	632.68	632.51
6	633.04	632.84	632.81	632.63	632.59	632.42



SHEAR CONNECTOR DETAIL



Note: Two hardened washers shall be required over all oversize holes for diaphragms.



Note:  
All beams and splice plates shall be NTR (notch toughness - zone 2) and M270 Grade 50W.

DESIGNED	JDA
CHECKED	JKC
DRAWN	NQ
CHECKED	JDA

FRAMING DETAILS  
FAS ROUTE 2247 (U.S. 6)  
OVER BRUSH CREEK  
SECTION 13X-BR-1  
BUREAU COUNTY  
STA. 1510+65.80  
SN 006-0169