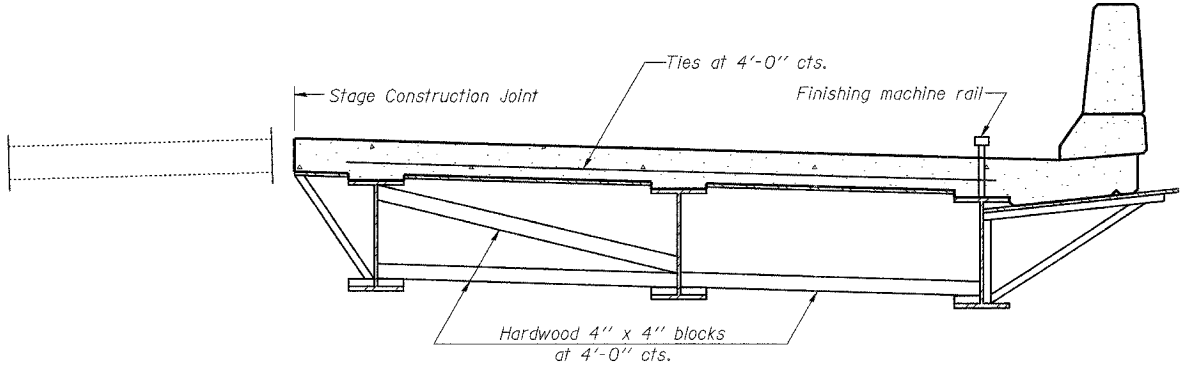


STATE OF ILLINOIS  
DEPARTMENT OF TRANSPORTATION

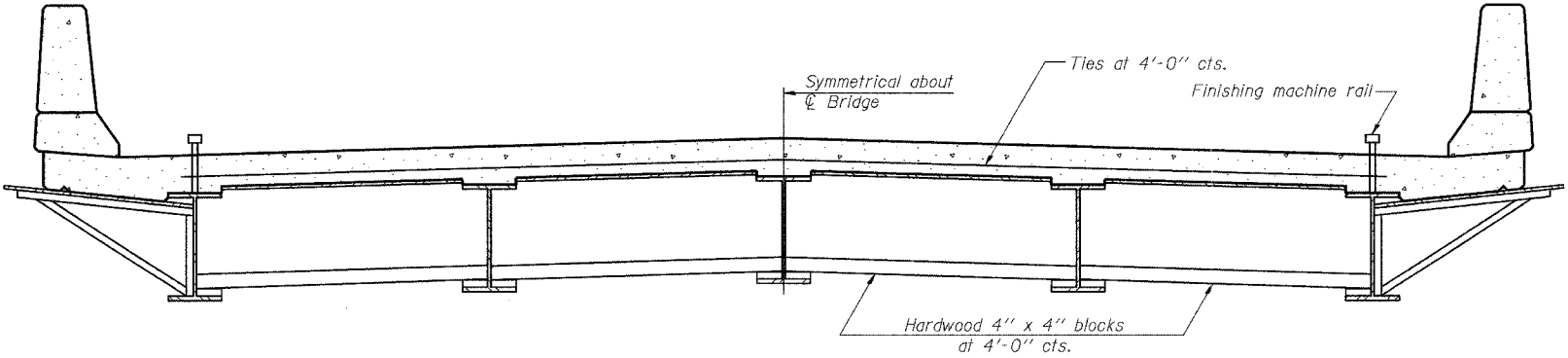
ROUTE NO.	SECTION	COUNTY	SHEET	SHEET	SHEET NO. 15
FAS 2247	13X- BR-1	BUREAU	51	27	19 SHEETS
FED. ROAD DIST. NO. 7	ILLINOIS	FED. AID PROJECT-			

Contract #64938

When cantilever forming brackets are used, the work shall be done according to Article 503.06, except as modified below and in the details shown on this sheet.  
The finishing machine rails shall be placed on the top flange of the exterior beams.  
The beams or girders, supporting cantilever forming brackets, shall be tied together at 4 foot intervals.  
For Standard construction, or Stage Construction the Hardwood bracing materials shall be placed as shown between webs of beams in each bay.



**FORM BRACES FOR  
STAGE CONSTRUCTION**



**FORM BRACES FOR  
STANDARD CONSTRUCTION**

DESIGNED	--
CHECKED	--
DRAWN	NO
CHECKED	JDA

SB-1

10-22-04

**CANTILEVER FORMING BRACKETS  
FAS ROUTE 2247 (U.S. 6)  
OVER BRUSH CREEK  
SECTION 13X-BR-1  
BUREAU COUNTY  
STA. 1510+65.80  
SN 006-0169**