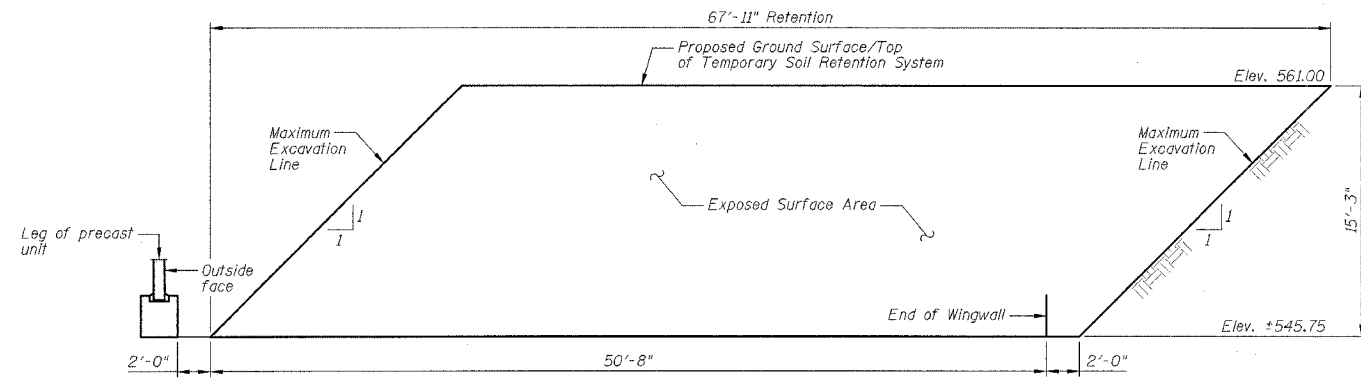
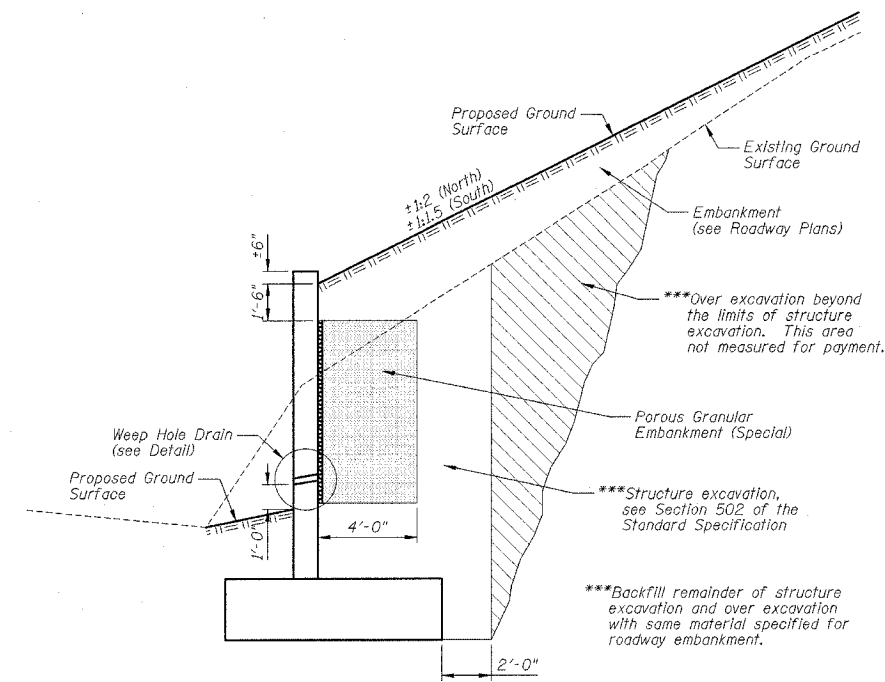


F.A.P. RTE.	SECTION	COUNTY	TOTAL SHEETS	SHEET NO.
627	(I-1) BR & I	LA SALLE	106	37
STA.	TO STA.			
FED. ROAD DIST. NO.	ILLINOIS	FED. AID PROJECT		

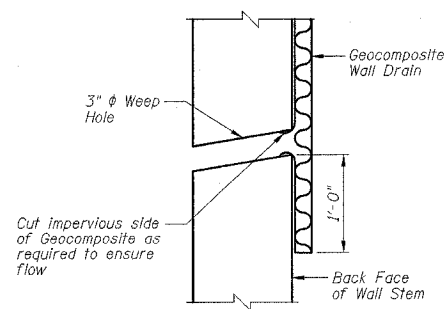
SHEET NO. F3
OF 14 SHEETS



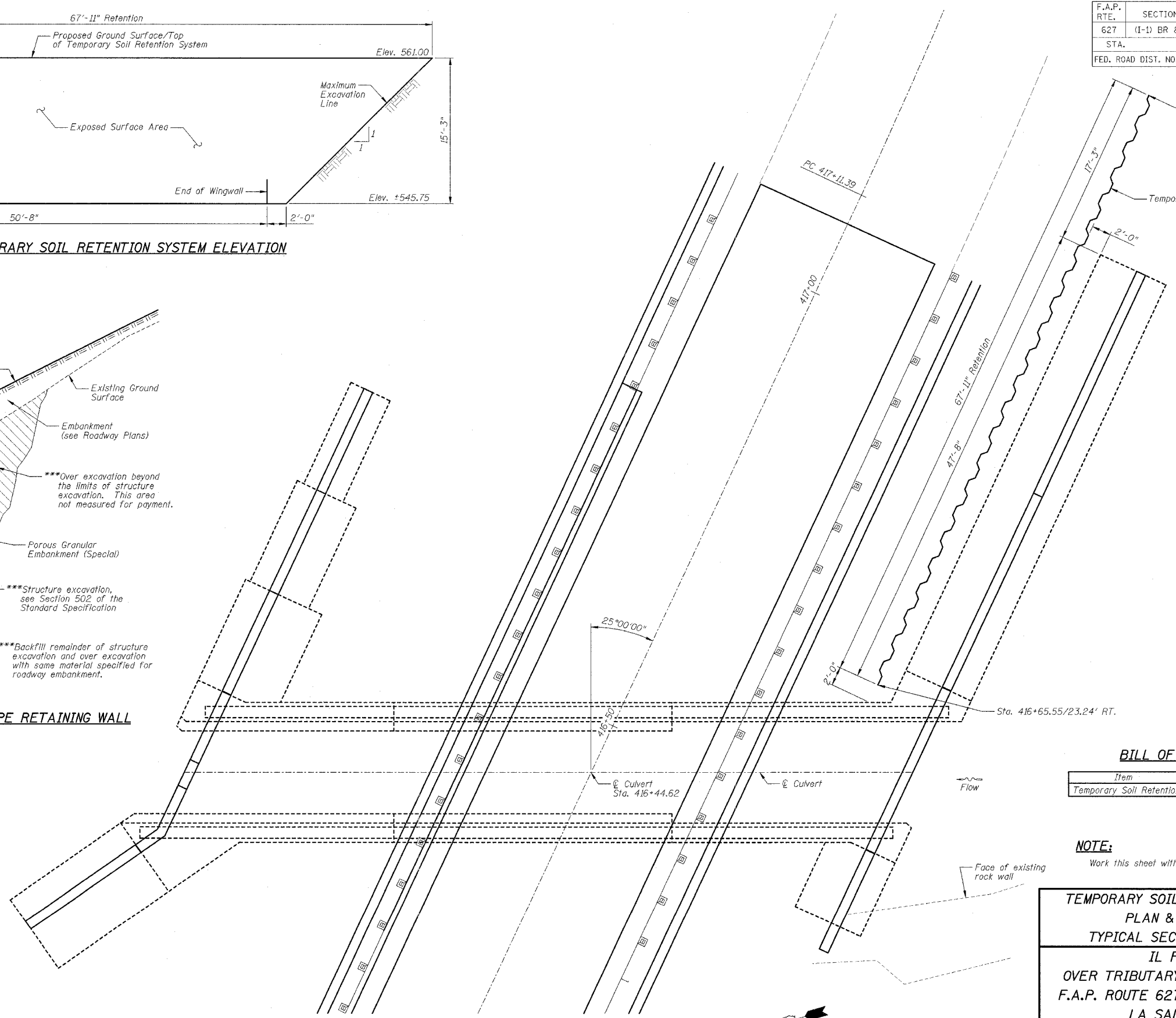
TEMPORARY SOIL RETENTION SYSTEM ELEVATION



TYPICAL SECTION THRU T-TYPE RETAINING WALL



WEEP HOLE DRAIN DETAIL



TEMPORARY SOIL RETENTION SYSTEM PLAN

BILL OF MATERIALS

Item	Unit	Total
Temporary Soil Retention System	Sq. Ft.	803

NOTE:
Work this sheet with Sheets F1, F2 and F4 thru F11.

**TEMPORARY SOIL RETENTION SYSTEM
PLAN & ELEVATION,
TYPICAL SECTION AND DETAIL**
IL ROUTE 71
OVER TRIBUTARY TO ILLINOIS RIVER
F.A.P. ROUTE 627 - SEC. (I-1) BR & I
LA SALLE COUNTY
STATION 416+44.62
STRUCTURE NO. 050-C804

DESIGNED BY J.M.L.	<p>3709 McGraw Drive Bloomington, Illinois 61704 309/883-8435, 309/883-1671 fax</p>	FILE NO. 24-6772
DRAWN BY D.J.M.		DATE 05-12-06
CHECKED BY M.S.W.		SHEET NO. 37 of 106