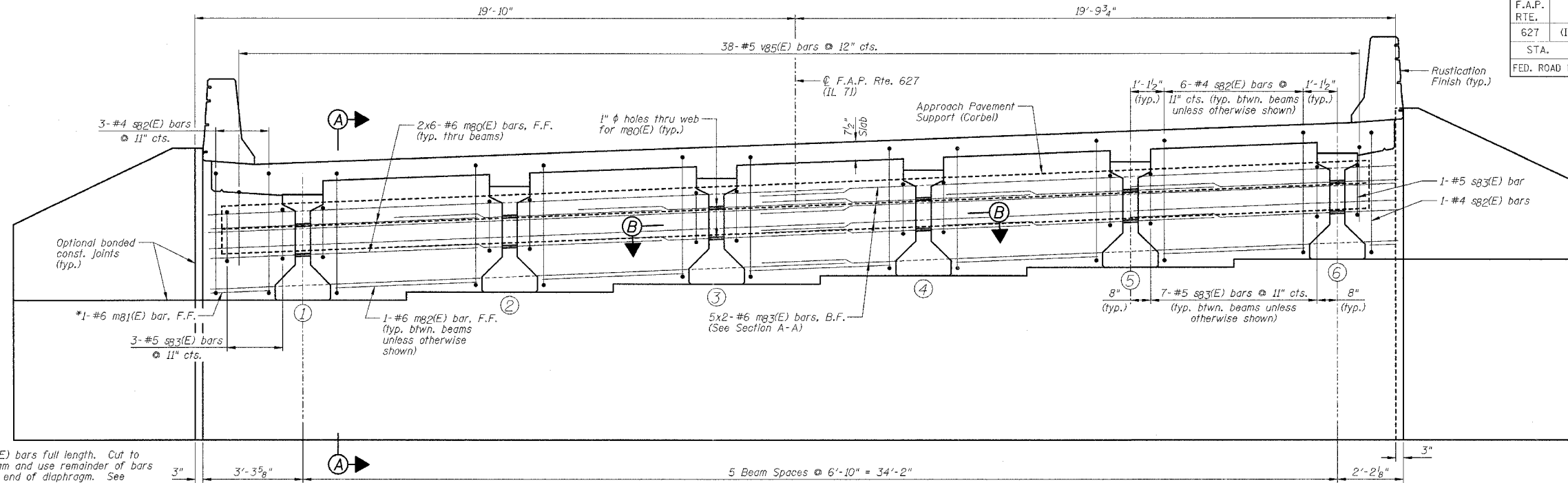


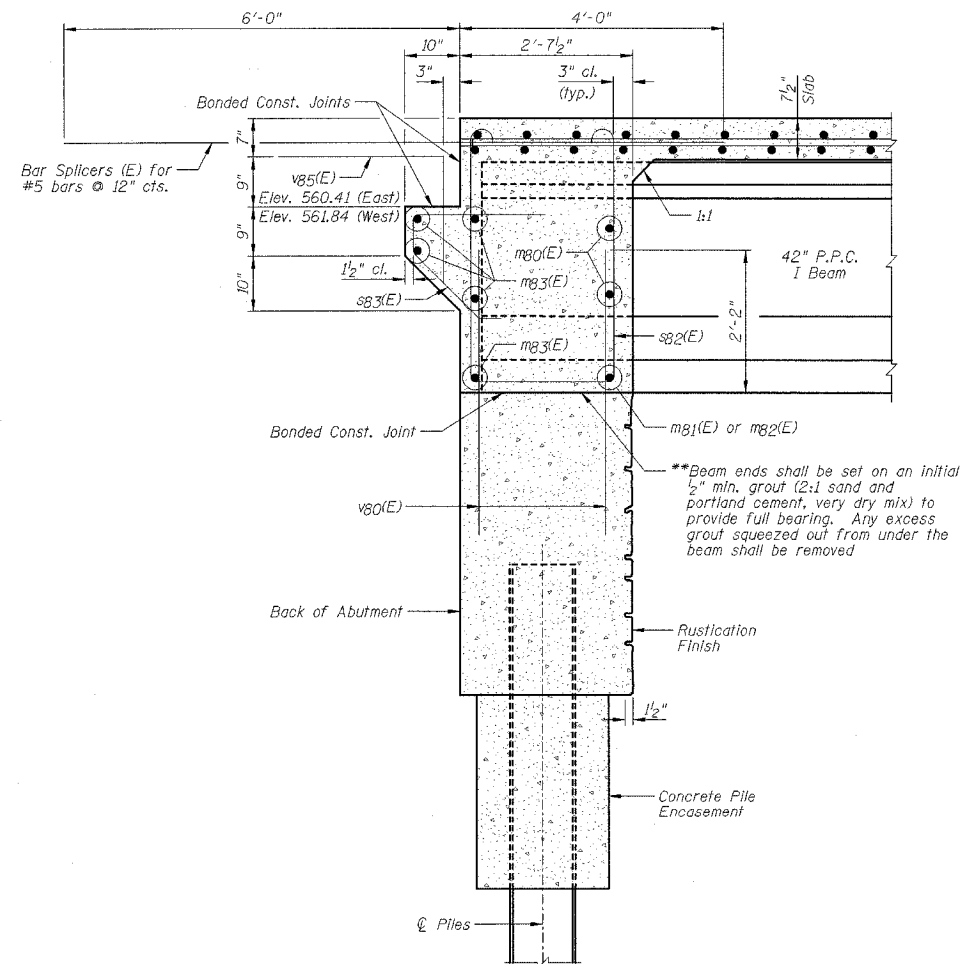
F.A.P. RTE.	SECTION	COUNTY	TOTAL SHEETS	SHEET NO.
627	(I-1) BR & I	LA SALLE	106	73
STA.	TO STA.			
FED. ROAD DIST. NO.	ILLINOIS	FED. AID PROJECT		

SHEET NO. H13
OF 26 SHEETS



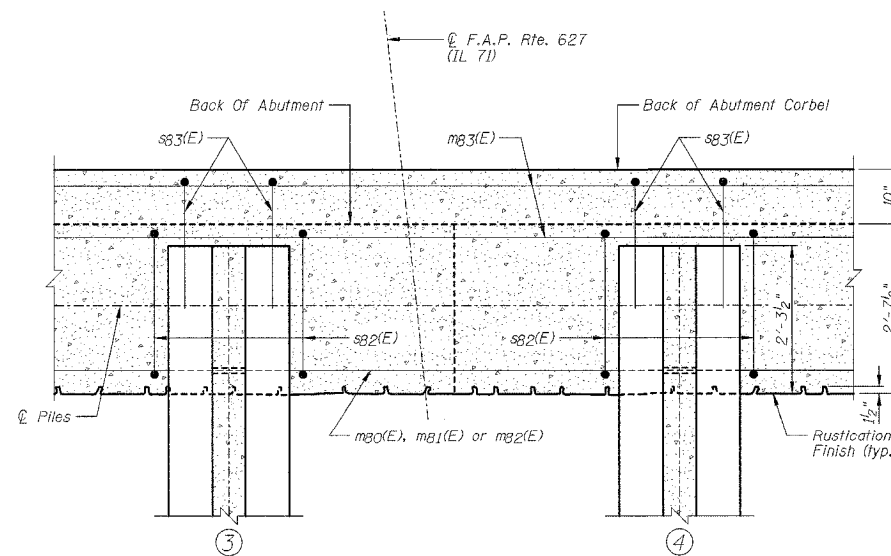
*Order m81(E) bars full length. Cut to fit diaphragm and use remainder of bars in opposite end of diaphragm. See Sheet H10 for Bar Cutting Diagram.

**ELEVATION OF DIAPHRAGM AT SOUTH ABUTMENT
(LOOKING SOUTH)**



SECTION A-A

**Included in the cost of "Concrete Structures".



SECTION B-B

NOTES:

- 1.) Work this sheet with Sheets H12, H14, H15 & H16.
- 2.) Quantities for reinforcing steel & concrete superstructure in the diaphragm shall be included with the superstructure. See Sheet H10 for quantities.
- 3.) F.F. denotes Front Face, B.F. denotes Back Face.
- 4.) Reinforcement bars designated (E) shall be epoxy coated.
- 5.) Minimum lap length: #6 bar = 2'-9"
- 6.) See Sheet H10 for Bill of Materials.
- 7.) See Sheet H18 for v80(E) bars.
- 8.) See Sheet H19 for "Rustication Finish" locations.

DIAPHRAGM DETAILS-SOUTH ABUTMENT
IL ROUTE 71
OVER TRIBUTARY TO ILLINOIS RIVER
F.A.P. ROUTE 627 - SEC. (I-1) BR & I
LA SALLE COUNTY
STATION 465+35.39
STRUCTURE NO. 050-0239

DESIGNED BY J.M.L.	<p>2700 McAndrew Drive Bloomington, Illinois 61704 308/859-6635, 308/852-9711 fax</p>	FILE NO. 24-6772
DRAWN BY D.J.M.		DATE 05-12-06
CHECKED BY M.S.W.		SHEET NO. 73 of 106