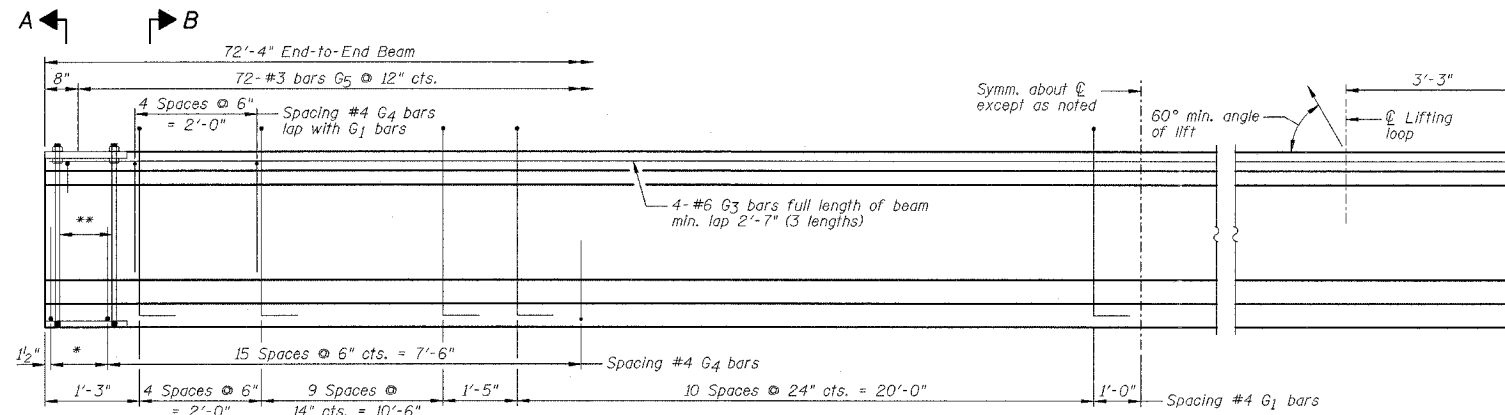


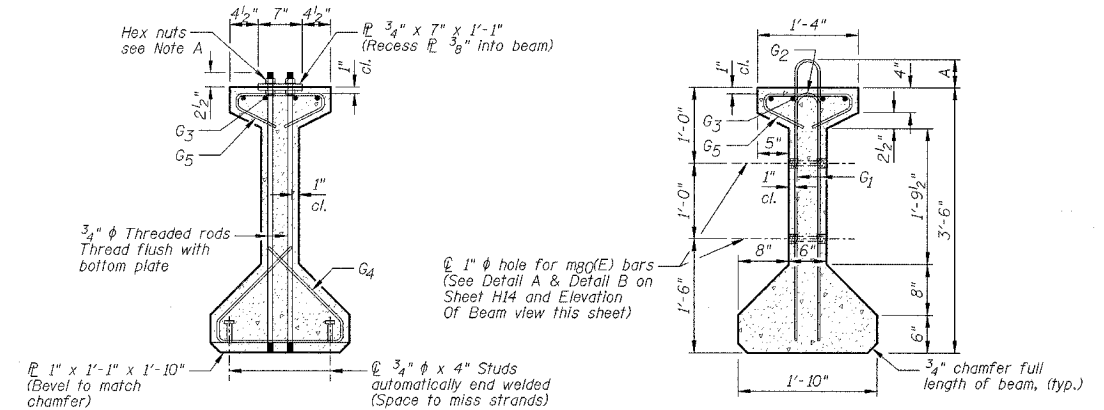
F.A.P. RTE.	SECTION	COUNTY	TOTAL SHEETS	SHEET NO.
627	(I-1) BR & I	LA SALLE	106	75
STA.	TO STA.			
FED. ROAD DIST. NO.	ILLINOIS	FED. AID PROJECT		

SHEET NO. H15
OF 26 SHEETS



ELEVATION OF BEAM
(Showing Reinforcement & Dimensions)

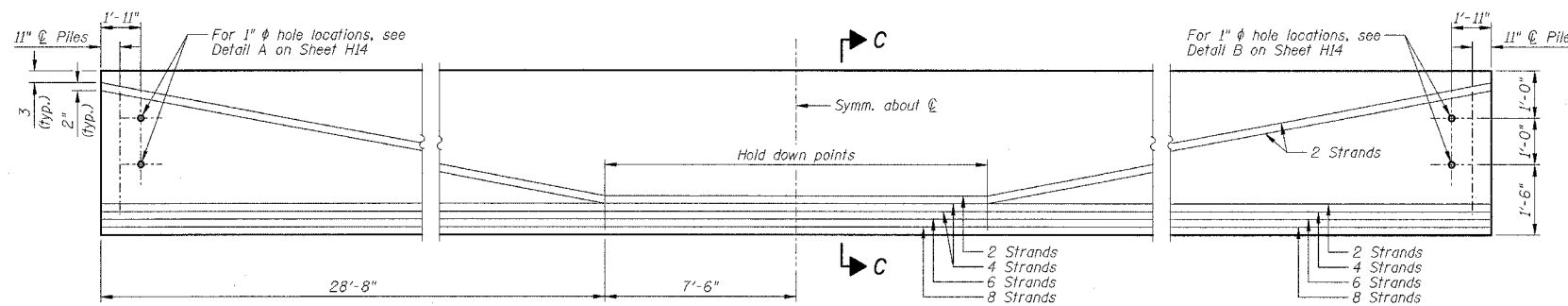
* 3 spaces at 3" = 9"
** 4-3/4" ϕ threaded dowel rods at 3" cts., each face



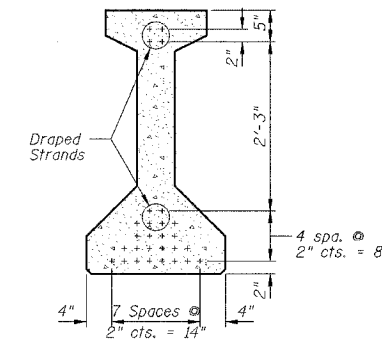
SECTION A-A

Note A: Hex nuts (top and bottom) with lock washers (top). Only tighten sufficiently to compress lock washers.

SECTION B-B



ELEVATION OF BEAM
(Showing Prestressing Steel)



SECTION C-C

BAR LIST
ONE BEAM ONLY

Bar	No.	Size	Length	Shape
G1	50	#4	8'-5"	\cap L
G2	10	#4	4'-4"	\cap
G3	12	#6	25'-9"	\cap
G4	38	#3	4'-11"	\cap
G5	72	#3	2'-6"	\cap

G1 BAR CHART

Beam Number	Dimension "A" near end of beam	Dimension "A" near ϕ of beam
①	8 1/4"	4 1/2"
②	8"	4 1/2"
③	8"	4 1/2"
④	7 3/4"	4 1/2"
⑤	7 3/4"	4 1/2"
⑥	7 1/2"	4 1/2"

PI-4-42 7-15-05

DESIGNED BY J.M.L.	<p>2700 Wisconsin Drive Bloomington, Illinois 61704 309/993-8436, 309/993-1871 fax</p>	FILE NO. 24-6772
DRAWN BY D.J.M.		DATE 05-12-06
CHECKED BY M.S.W.		SHEET NO. 75 OF 106

NOTES:

- 1.) Work this sheet with Sheets H12 thru H14 and H16.
- 2.) See Section B-B and the G1 Bar Chart for dimension "A".
- 3.) All inserts and threaded dowel rods for inserts, reinforcing and prestressing steel, and other items which are cast into the precast concrete I-beams shall be included in the contract unit price per foot of "Furnishing And Erecting Precast Prestressed Concrete I-Beams, 42 in."
- 4.) Required release strength, f'ci, shall be 5000 psi.

42" PPC I-BEAM

IL ROUTE 71

OVER TRIBUTARY TO ILLINOIS RIVER
F.A.P. ROUTE 627 - SEC. (I-1) BR & I
LA SALLE COUNTY
STATION 465+35.39
STRUCTURE NO. 050-0239