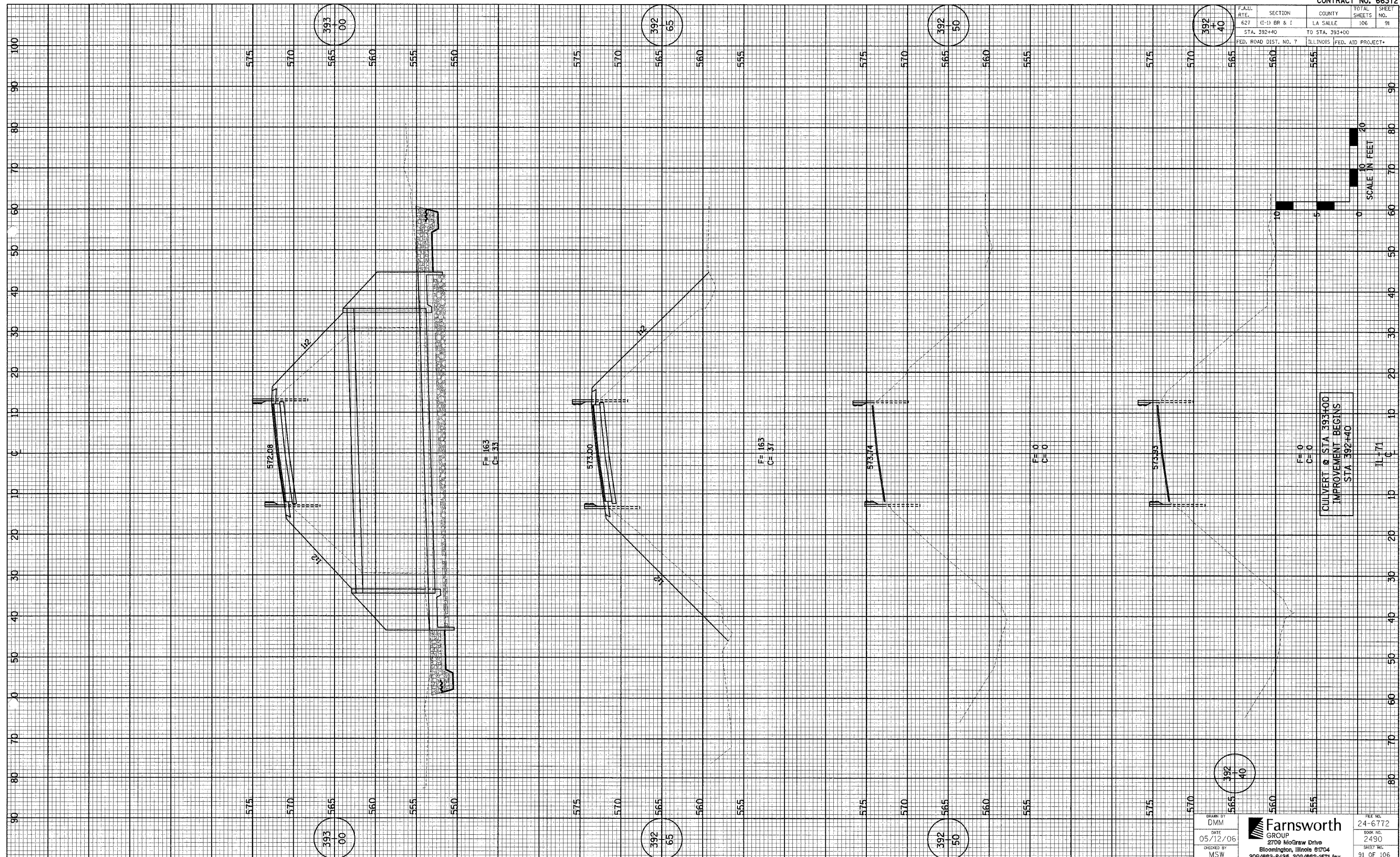


F.A.U. SECTION	COUNTY	TOTAL SHEETS	SHEET NO.
627 (I-1) BR & I	LA SALLE	106	91
STA. 392+40 TO STA. 393+00			
FED. ROAD DIST. NO. 7 ILLINOIS FED. AID PROJECT*			



DRAWN BY DMM DATE 05/12/06 CHECKED BY MSW	2709 McGraw Drive Bloomington, Illinois 61704 309/663-8435, 309/663-1671 fax	FILE NO. 24-6772 SSK NO. 2490 SHEET NO. 91 OF 106
--	--	--