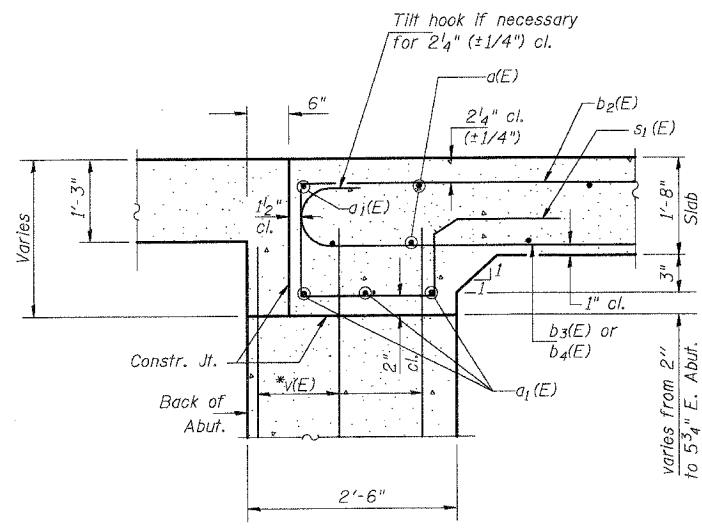
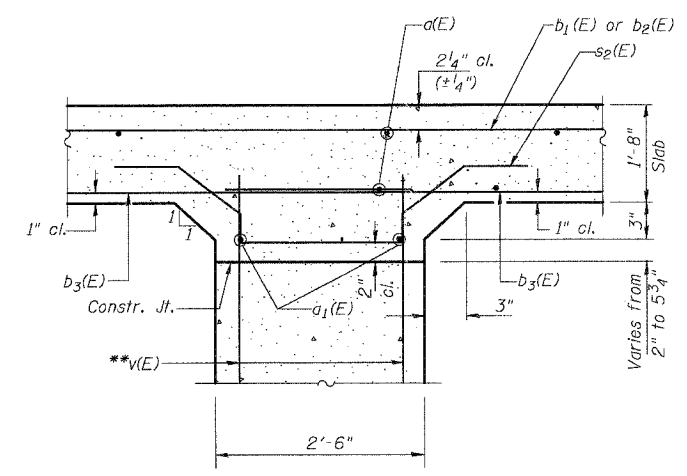


**INSIDE ELEVATION OF PARAPET**



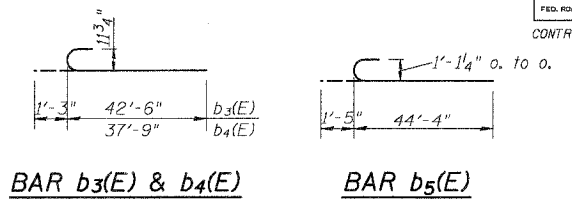
**SECTION A-A**

\*v(E) bars filled with Abutments  
See sheets #7 & #8 of 12



**SECTION B-B**

\*\*v(E) bars filled with Pier  
See sheet #9 of 12



**BAR b3(E) & b4(E)**

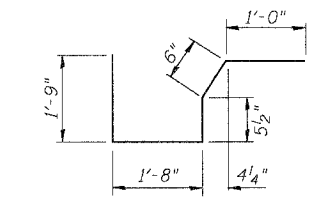
**BAR b5(E)**

**BAR s(E)**

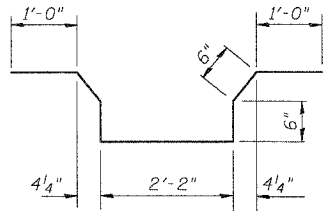
**SUPERSTRUCTURE  
BILL OF MATERIAL**

Bar	No.	Size	Length (ft)	Shape
a(E)	252	#5	17'-3"	—
a1(E)	16	#5	19'-11"	—
b(E)	70	#9	31'-3"	—
b1(E)	34	#9	27'-6"	—
b2(E)	35	#9	25'-10"	—
b3(E)	56	#9	43'-9"	—
b4(E)	54	#9	39'-0"	—
b5(E)	8	#10	45'-9"	—
b6(E)	12	#10	34'-0"	—
b7(E)	12	#5	28'-8"	—
d(E)	164	#4	4'-2"	—
d1(E)	170	#5	4'-4"	—
d2(E)	12	#5	4'-2"	—
e(E)	48	#4	20'-1"	—
s(E)	164	#5	7'-2"	—
s1(E)	80	#5	5'-5"	—
s2(E)	40	#5	6'-2"	—
Reinforcement Bars Epoxy Coated			LBS	41,710
Concrete Superstructure			Cu. Yds.	202.5
Bar Splicers			Each	136

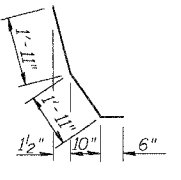
Reinforcement bars designated (E) shall be epoxy coated.



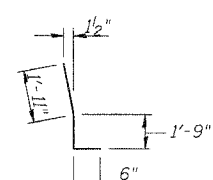
**BAR s1(E)**



**BAR s2(E)**



**BAR d1(E)**

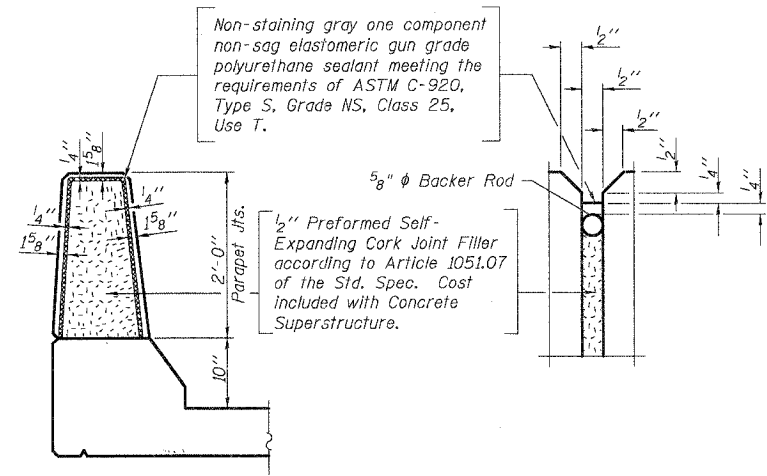


**BAR d2(E)**

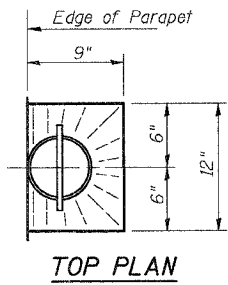
**MIN. BAR LAP**  
#4 = 1'-8"

**NOTES**

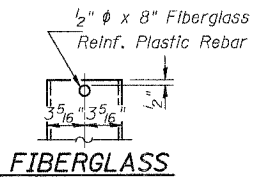
Fiberglass pipe shall conform to ASTM D2996, with short-time rupture strength hoop tensile stress of 30,000 psi minimum. The surface of the Fiberglass pipe shall be free of bond inhibiting agents. The exterior surfaces of the floor drains shall be coated by the manufacturer with a pigment that matches the color of the concrete.



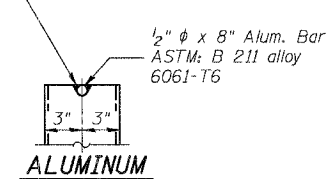
**PARAPET JOINT DETAILS**



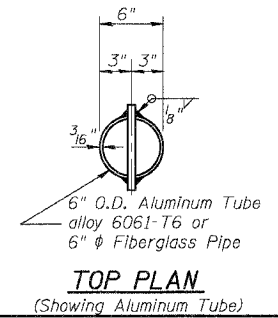
**TOP PLAN**



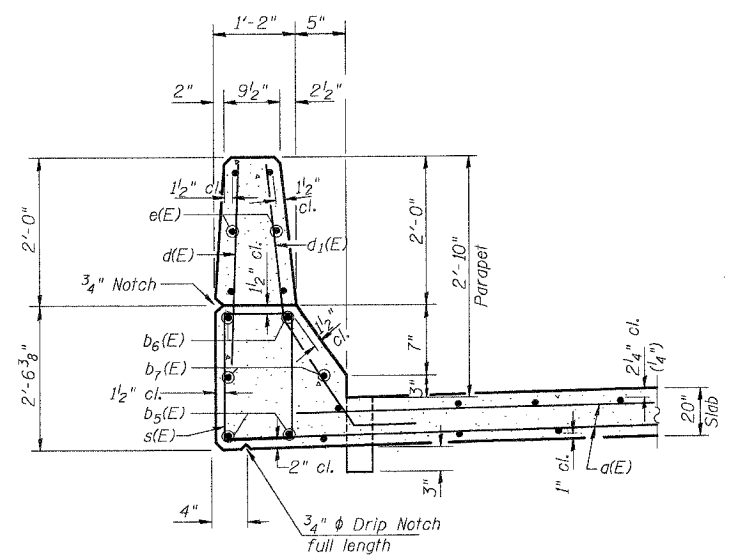
**FIBERGLASS PIPE**



**ALUMINUM TUBE**



**TOP PLAN**  
(Showing Aluminum Tube)



**SECTION THRU CURB**

05/17/2005  
-J06-super-details.dgn

ILLINOIS DEPARTMENT OF TRANSPORTATION	
SHEET TITLE <b>SUPERSTRUCTURE DETAILS</b>	
PROJECT FAP ROUTE 627 (IL 71) OVER UNNAMED STREAM	PROJECT NO. 05025-1
SECTION U-BR	SCALE
LA SALLE COUNTY	DATE 12/17/05
STATION 98+58.9	DRAWN BY TFG
STRUCTURE NUMBER 050-0243	CHECKED BY KPS/BD/MCB
<b>COOMBE-BLOXDORF P.C.</b> Engineers / Land Surveyors Springfield, Illinois Design Firm License No. 184-002703	
6 OF 12 SHTS	