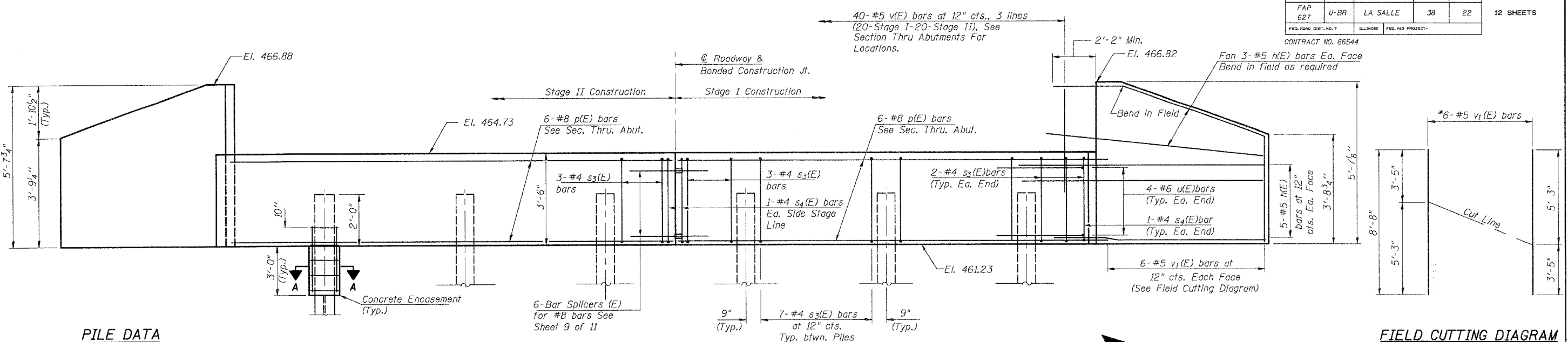


ROUTE NO.	SECTION	COUNTY	TOTAL SHEETS	SHEET NO.
FAP 627	U-BR	LA SALLE	38	22
FED. ROAD DIST. NO. 7	ILLINOIS	FED. AID PROJECT		

SHEET NO. 7
12 SHEETS

CONTRACT NO. 66544



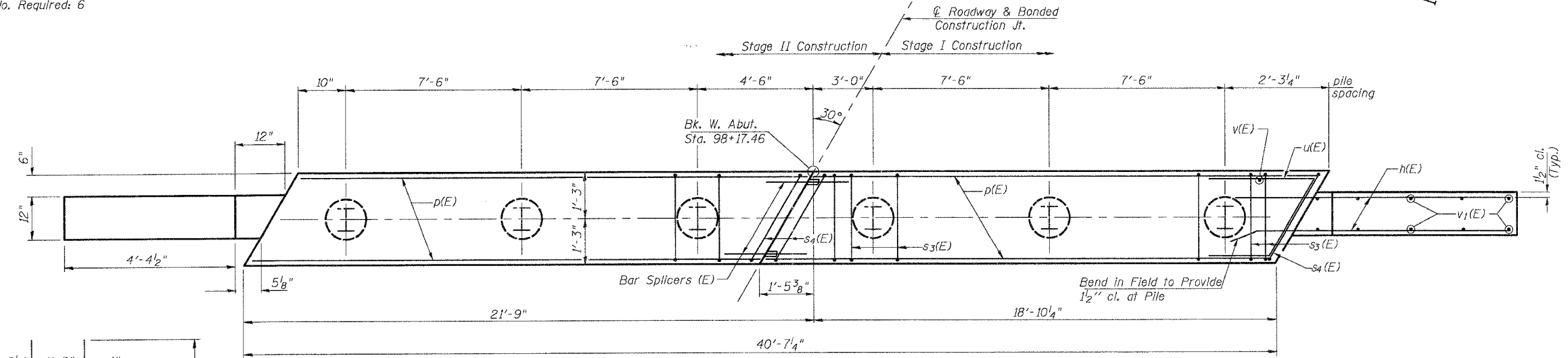
PILE DATA

Type: HP 10x42
Capacity: Set in Rock
Est. Length: 17'-0"
No. Required: 6

FIELD CUTTING DIAGRAM

*Order γ (E) full length. Cut as shown and use remainder of bars in opposite face.

ELEVATION
(Looking West)

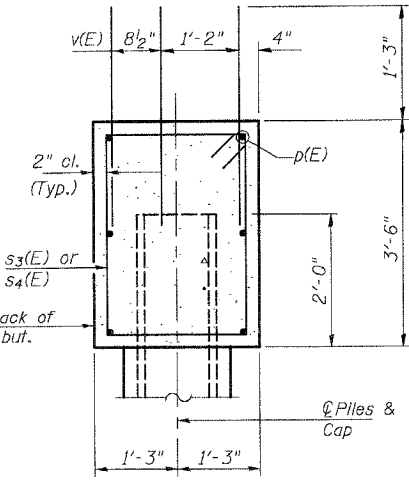


BILL OF MATERIAL

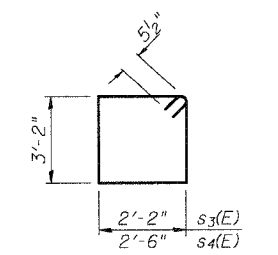
Bar	No.	Size	Length (ft)	Shape
h(E)	32	#5	7'-9"	
p(E)	12	#8	19'-11"	
s ₃ (E)	38	#4	11'-7"	□
s ₄ (E)	4	#4	12'-3"	□
u(E)	8	#6	11'-5"	┘
v(E)	120	#5	3'-0"	
v ₁ (E)	12	#5	8'-8"	
Concrete Structures	Cu. Yd.		15.1	
Reinforcement Bars, Epoxy Coated	Pound		1850	
Structure Excavation	Cu. Yd.		70	
Furnishing Steel				
Piles, HP 10 x 42	ft.		102	
Setting Piles in Rock	Each		6	
Bar Splicers	Each		6	

NOTES

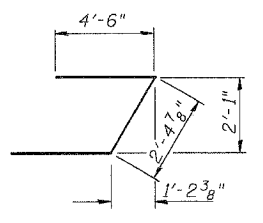
Reinforcement bars designated (E) shall be epoxy coated. All edges shall have standard 3/4" chamfers except as noted. See sheet 10 of 12 for bar splicer details. Piles will be set into 2'-0" diameter holes embedded 5'-0" into rock. See special provisions for Setting Piles in rock.



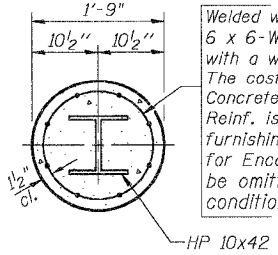
SECTION THRU ABUTMENT
(Dimensions at right Ls)



BARS s₃(E) or s₄(E)



BAR u(E)



SECTION A-A

Welded wire fabric 6 x 6-W4.0 x W4.0 with a welded mass of 58 lb/100 Sq. Ft. The cost of Excavation, Concrete Encasement & Reinf. is included with furnishing piles. Forms for Encasement may be omitted when soil conditions permit.

05/11/2006
U:\West-abutment.dgn

ILLINOIS DEPARTMENT OF TRANSPORTATION

SHEET TITLE: WEST ABUTMENT

PROJECT: FAP ROUTE 627 (IL 71) OVER UNNAMED STREAM SECTION U-BR LA SALLE COUNTY STATION 98+58.9 STRUCTURE NUMBER 050-0243

PROJECT NO.: 05025-1
SCALE: AS SHOWN
DATE: 12/17/05
DRAWN BY: TFG
CHECKED BY: KPS/BD/MCB
DRAWING NO.:

COOMBE-BLOXDORF P.C.
Engineers / Land Surveyors
Springfield, Illinois
Design Firm License No. 184-002703

7
OF 12 SHTS