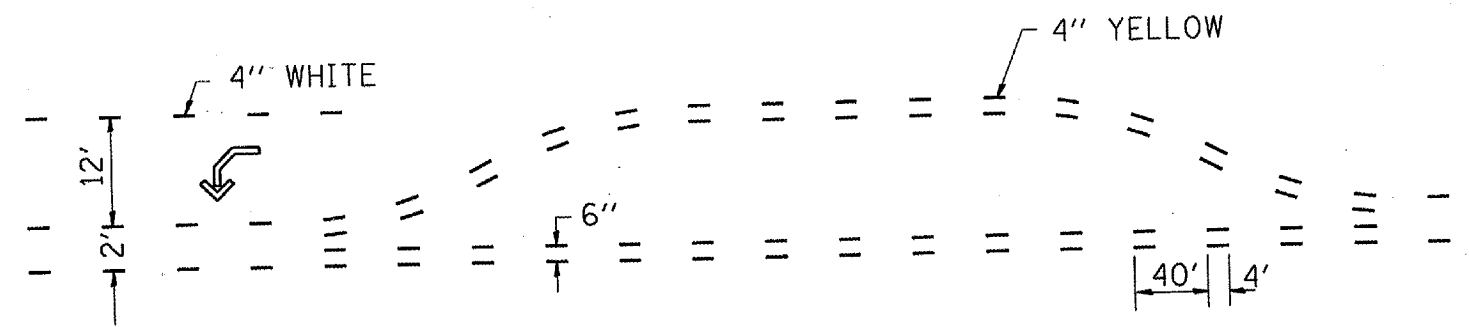
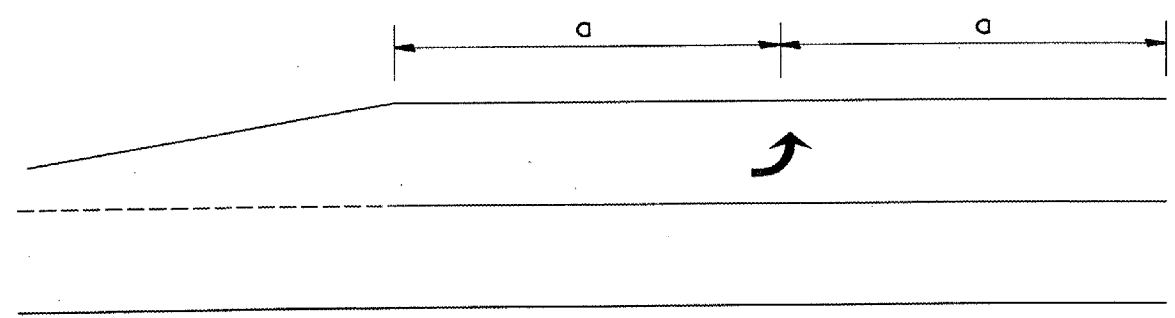


QUANTITY
 12" LINE = 16 LIN. FT.
 OR 4" LINE = 46 LIN. FT.

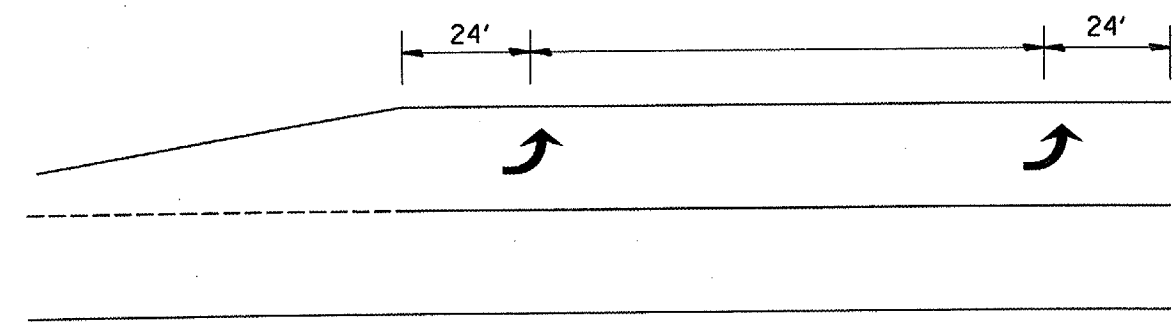
QUANTITY
 12" LINE = 29 LIN. FT.
 OR 4" LINE = 85 LIN. FT.



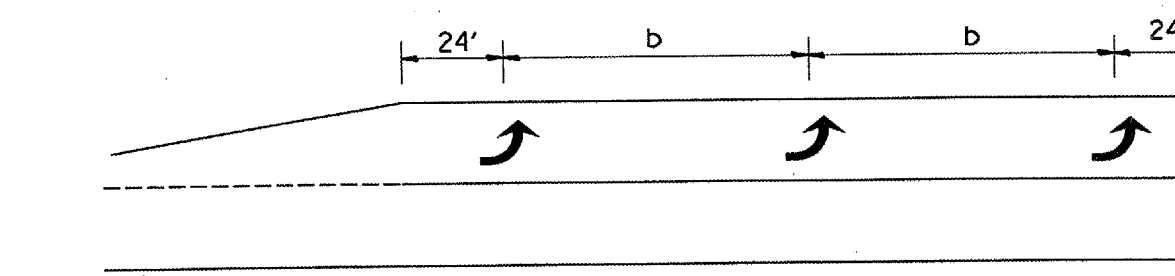
SHORT-TERM PAVEMENT MARKING FOR MEDIANS AND ARROWS



99' AND UNDER



100' TO 149'



150' AND LONGER

TYPICAL PLACEMENT OF ARROWS IN TURN LANES

REVISIONS	
NAME	DATE

ILLINOIS DEPARTMENT OF TRANSPORTATION
TYPICAL PAVEMENT MARKING
 F.A.P. ROUTE 330 (IL ROUTE 17)
 SECTION (11X-2)RS-1 & (11,1)RS-4
 KANKAKEE COUNTY

DATE: 06/27/2006
 c:/projects/cm305/details.dgn