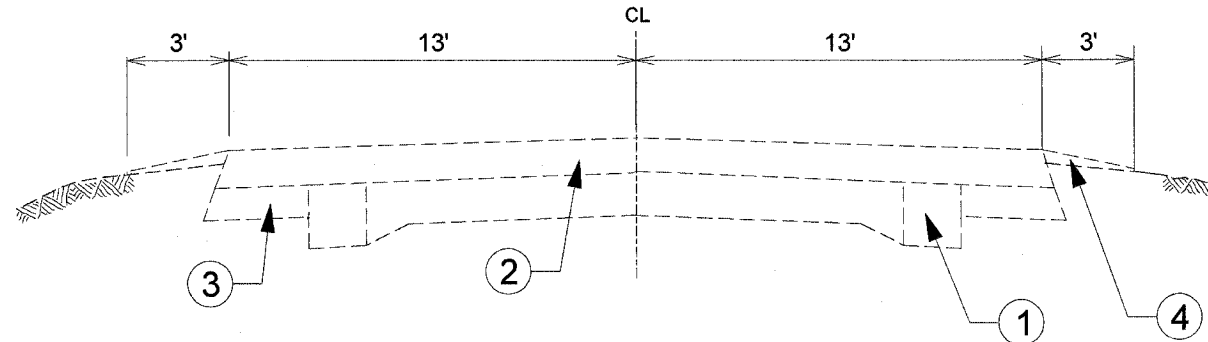


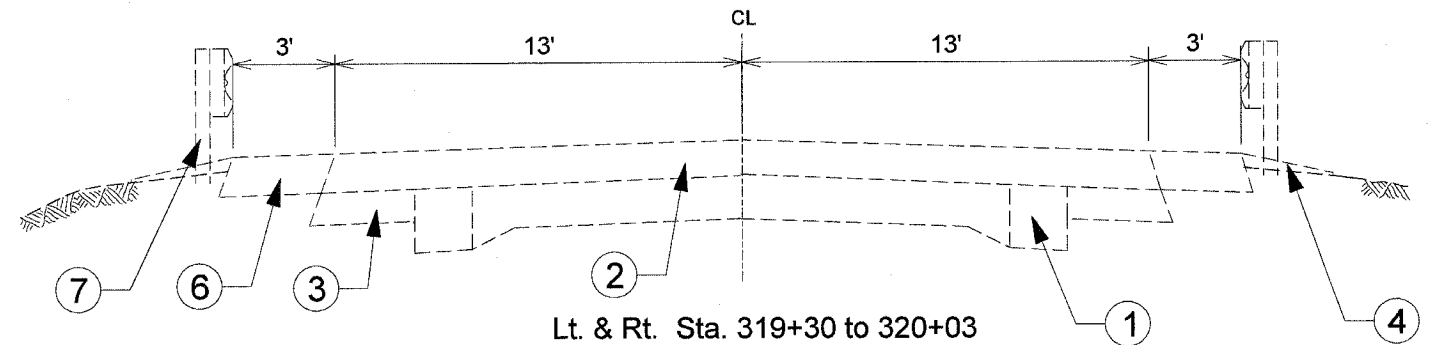
F.A.U. RTE.	SECTION	COUNTY	TOTAL SHEETS	SHEET NO.
6789	(8B)BR-4	TAZEWELL	102	10
STA. 308+58		TO STA. 329+41		
FED. ROAD DIST. NO. 4		ILLINOIS	FED. AID PROJECT	

MAIN LINE IL 98



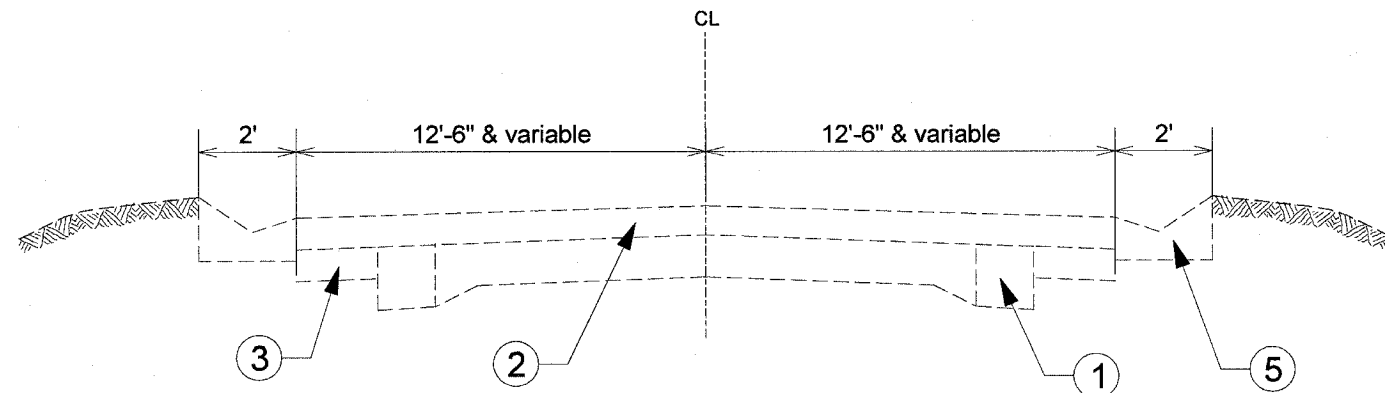
Lt. Sta. 309+00 to 313+07.8 Rt. Sta. 309+00 to 312+96.8
 Lt. Sta. 320+79.5 to 321+49.8 Rt. Sta. 320+79.5 to 321+84.7
 Lt. Sta. 315+81.1 to 318+55.2 Rt. Sta. 315+77.5 to 318+55.2
 Lt. Sta. 323+51.8 to 329+00 Rt. Sta. 323+57.9 to 329+00

MAIN LINE IL 98



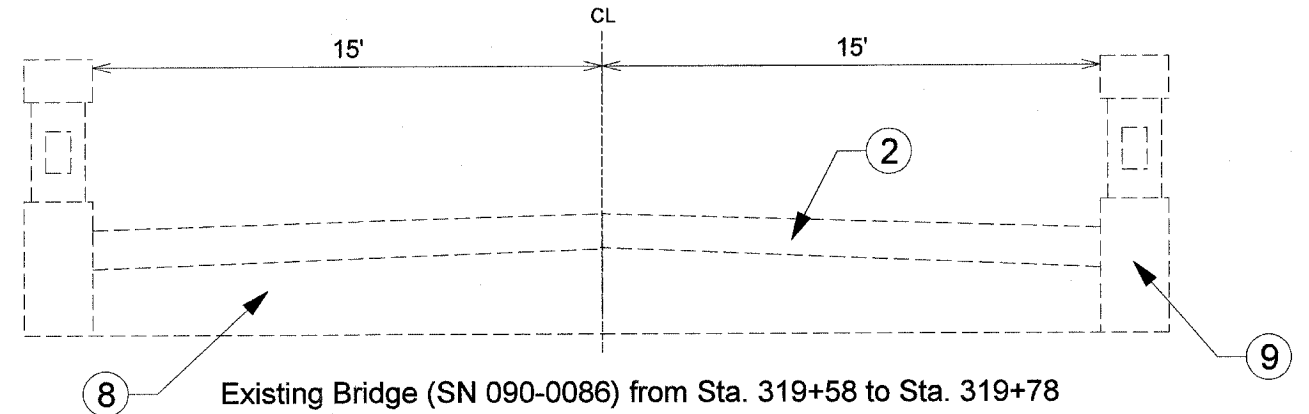
Lt. & Rt. Sta. 319+30 to 320+03

MAIN LINE IL 98



Lt. Sta. 313+07.8 to 315+81.1 Rt. Sta. 312+96.8 to 315+77.5
 Lt. Sta. 321+49.8 to 323+51.8 Rt. Sta. 321+84.7 to 323+57.9

MAIN LINE IL 98

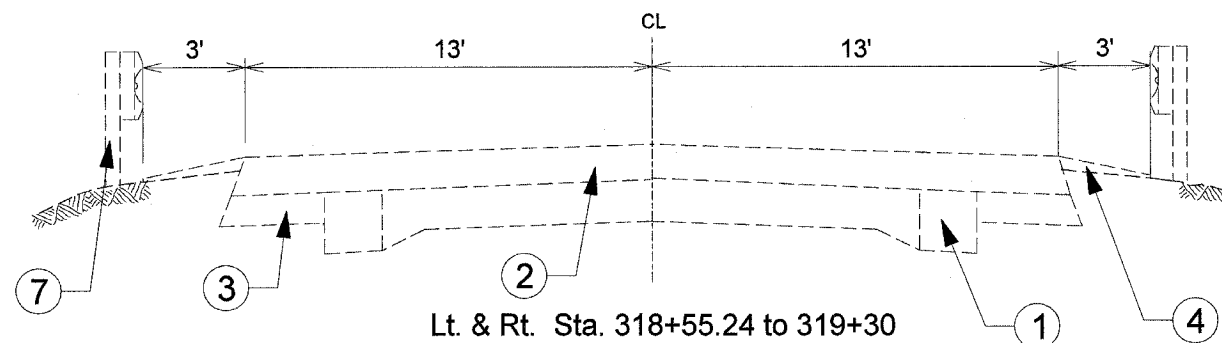


Existing Bridge (SN 090-0086) from Sta. 319+58 to Sta. 319+78

LEGEND:

- ① Existing Concrete Pavement
- ② Existing Bituminous Overlay
- ③ Existing Bituminous Widening
- ④ Existing Aggregate Shoulders
- ⑤ Existing PCC Gutter
- ⑥ Existing Bituminous Shoulders
- ⑦ Existing Guardrail
- ⑧ Existing Bridge Deck
- ⑨ Existing Parapet Wall

MAIN LINE IL 98



Lt. & Rt. Sta. 318+55.24 to 319+30
 Lt. & Rt. Sta. 320+03 to 320+79.5

REVISIONS	
NAME	DATE

ILLINOIS DEPARTMENT OF TRANSPORTATION

EXISTING TYPICAL SECTION

SCALE: VERT. HORIZ.
 DATE

DRAWN BY: LCE
 CHECKED BY: