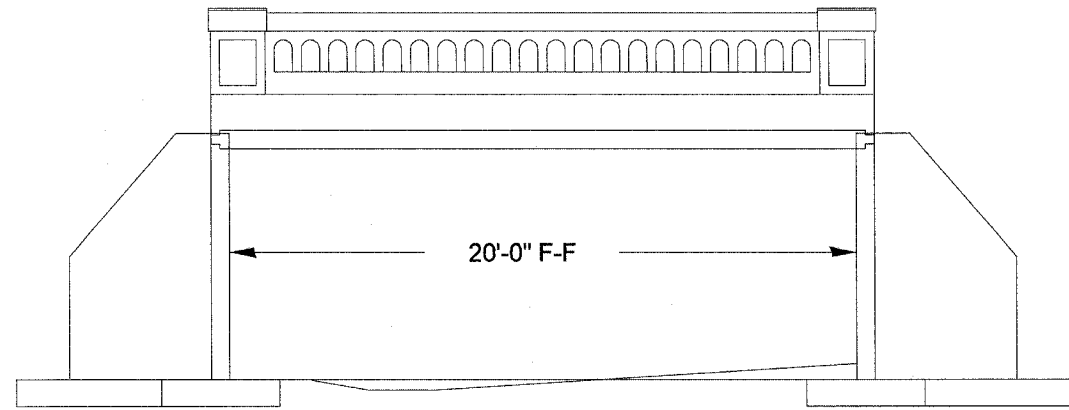
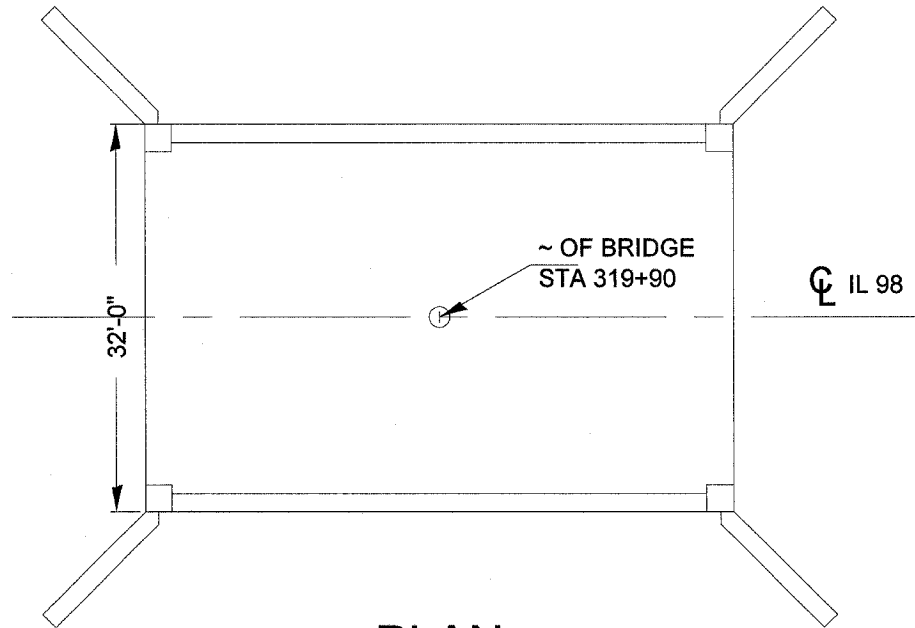


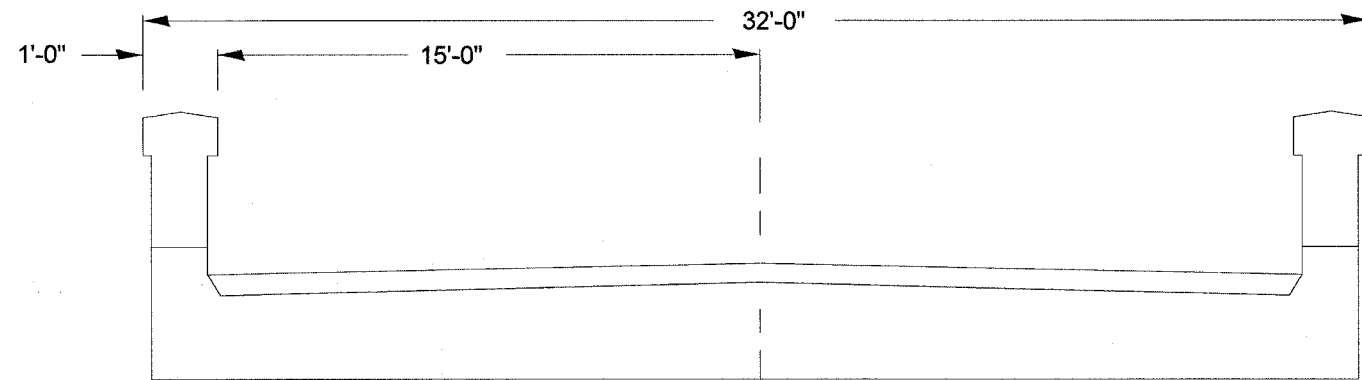
F.A.U. RTE.	SECTION	COUNTY	TOTAL SHEETS	SHEET NO.
6769	(8B)BR-4	TAZEWELL	102	12
STA. 308+58		TO STA. 329+41		
FED. ROAD DIST. NO. 4		ILLINOIS	FED. AID PROJECT	



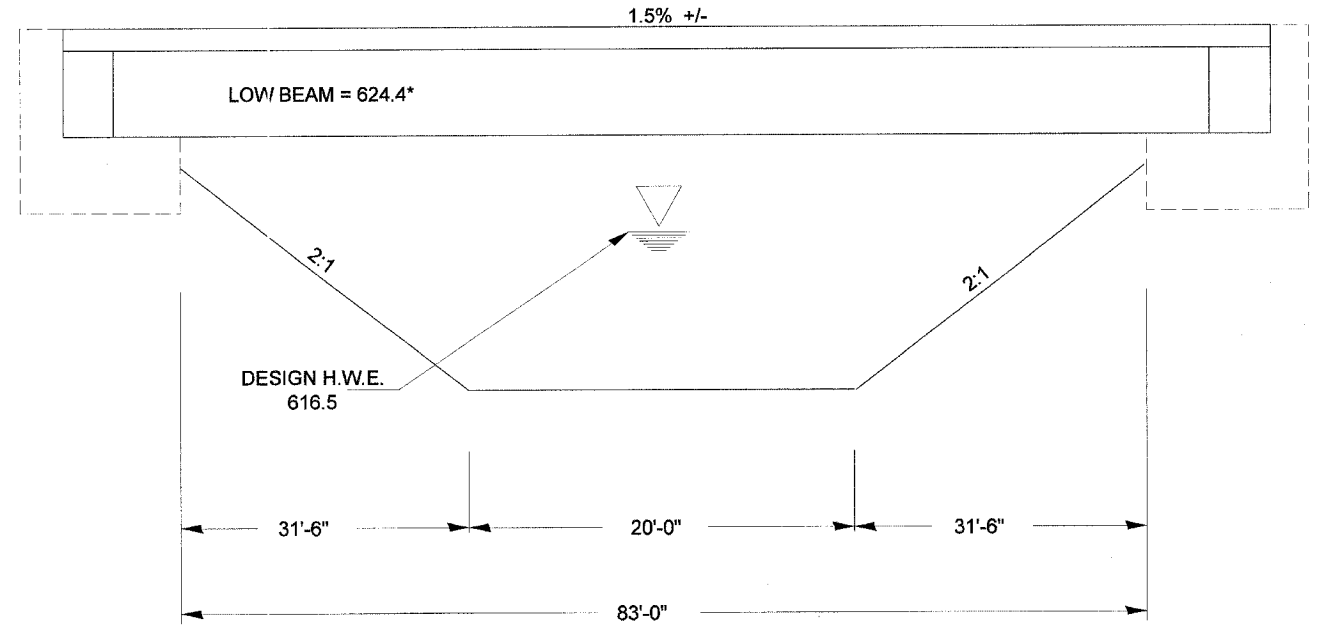
ELEVATION



PLAN

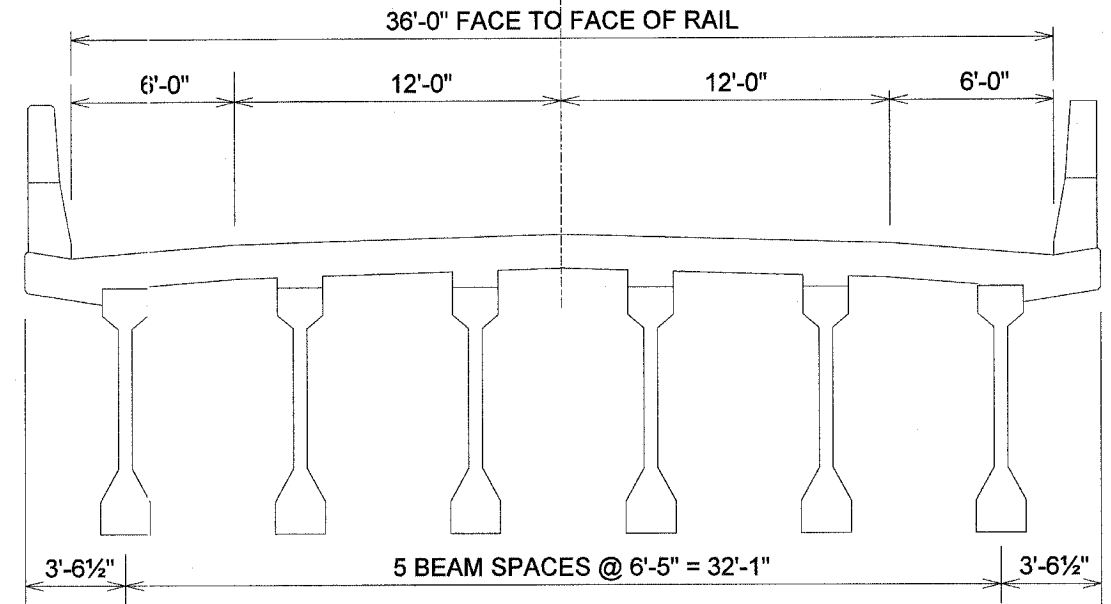


SECTION
EXISTING



ELEVATION
(0° Skew)

MAIN LINE IL 98
CL



PROPOSED

REVISIONS	
NAME	DATE

ILLINOIS DEPARTMENT OF TRANSPORTATION

EXISTING & PROPOSED
STRUCTURE
S.N. 090-0086 (OLD)
S.N. 090-0173 (NEW)

SCALE: VERT.
HORIZ.

DRAWN BY
CHECKED BY