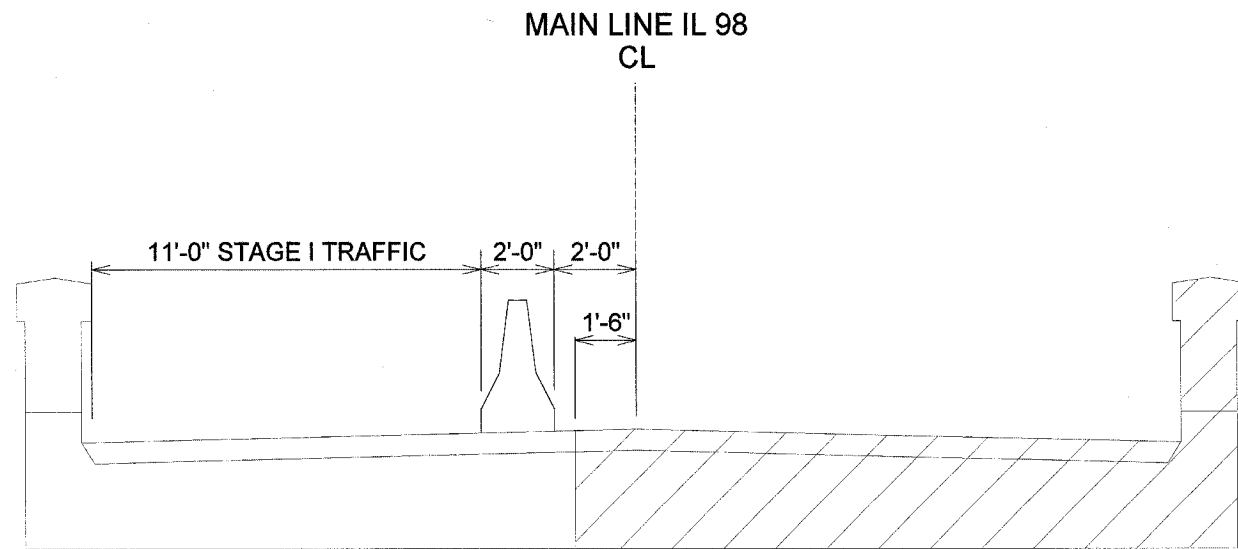
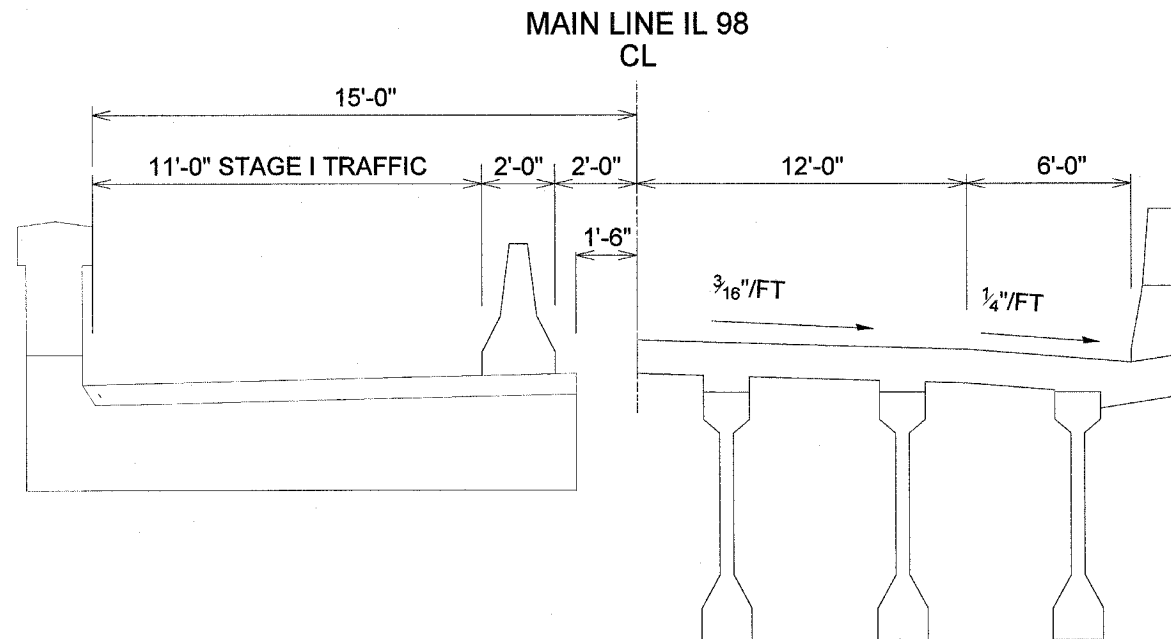
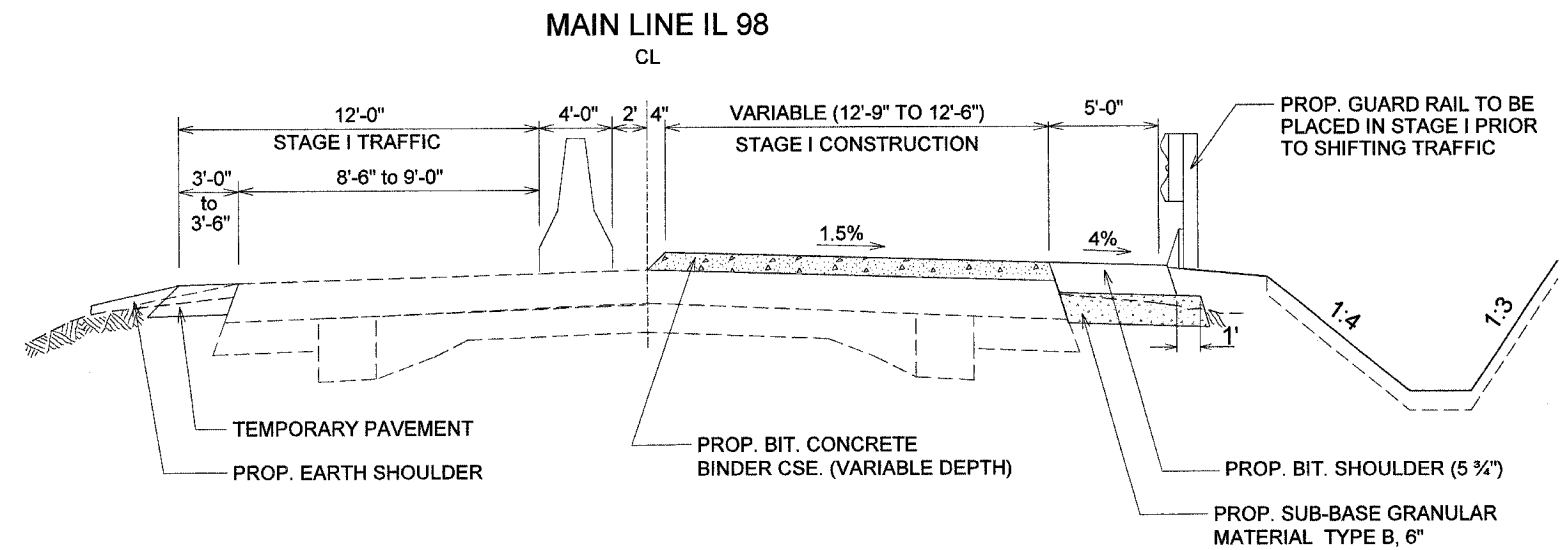


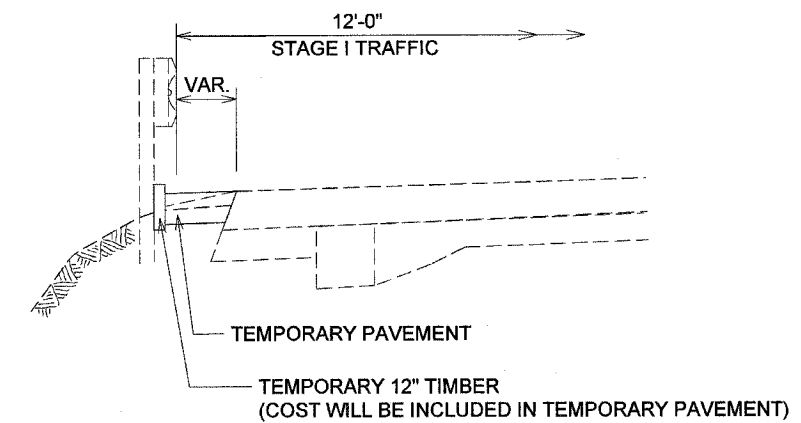
F.A.U. RTE.	SECTION	COUNTY	TOTAL SHEETS	SHEET NO.
6789	(8)BR-4	TAZEWELL	102	24
STA. 308+58		TO STA. 329+41		
FED. ROAD DIST. NO. 4		ILLINOIS	FED. AID PROJECT	



STAGE I REMOVAL



STAGE I CONSTRUCTION



FROM LT. STA. 319+77.9 TO 320+02.9

\$DATE\$\$

REVISIONS	
NAME	DATE

ILLINOIS DEPARTMENT OF TRANSPORTATION

TYPICAL SECTIONS STAGE I

SCALE: VERT. DRAWN BY
 HORIZ. CHECKED BY
 DATE