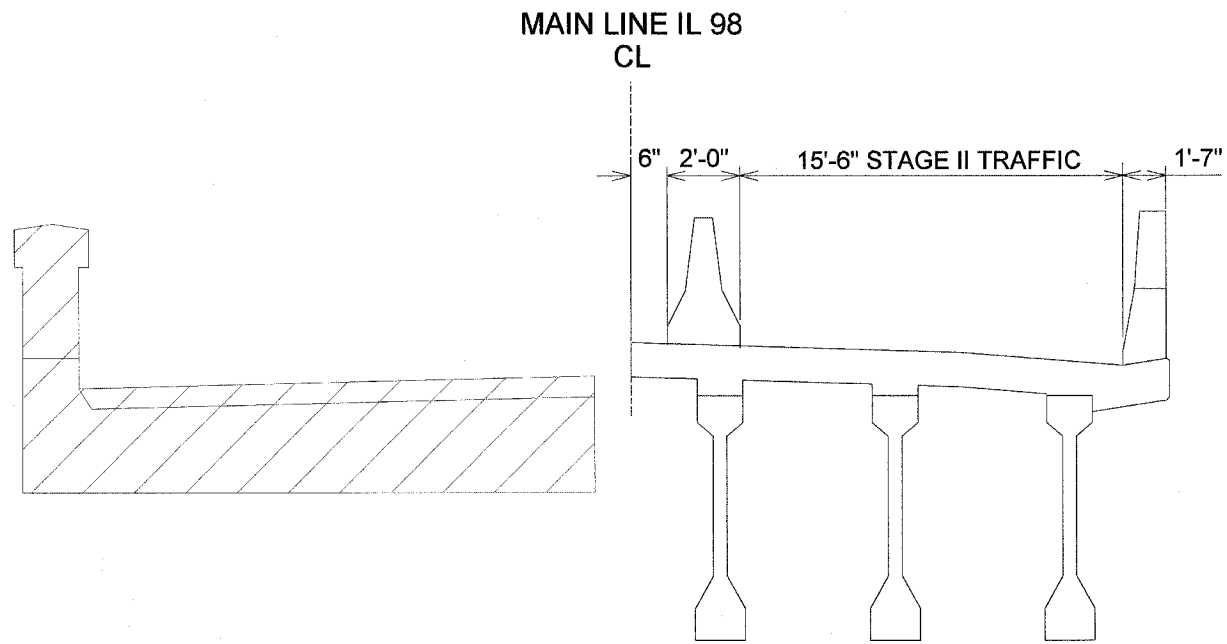
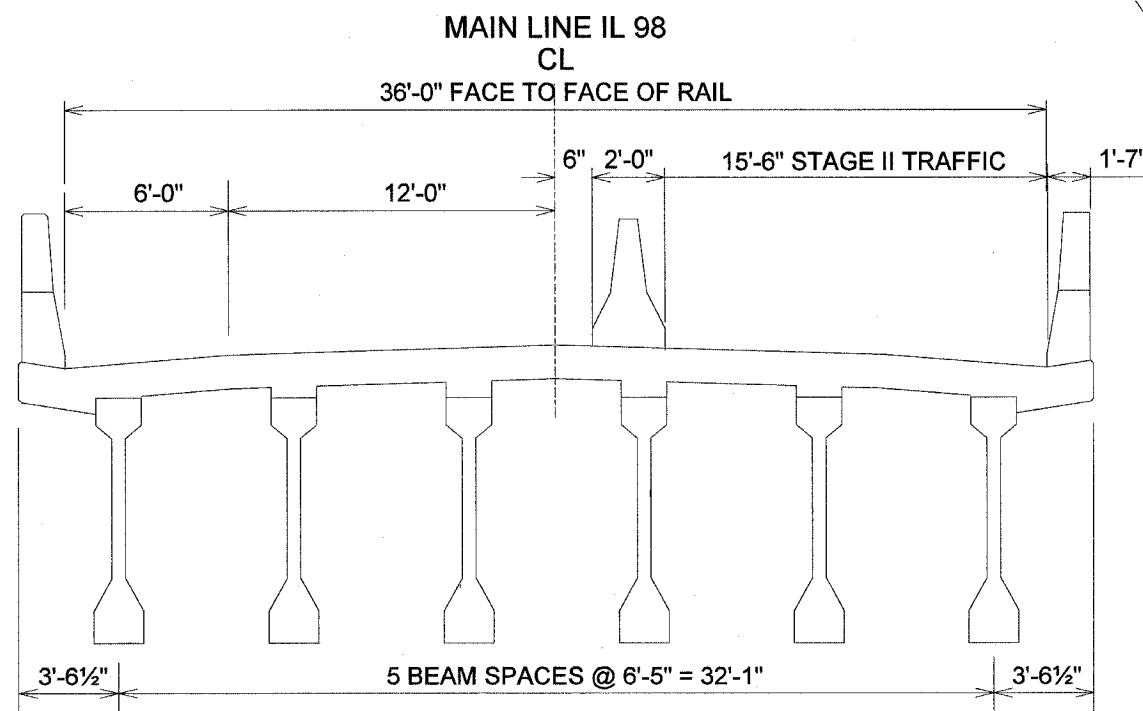


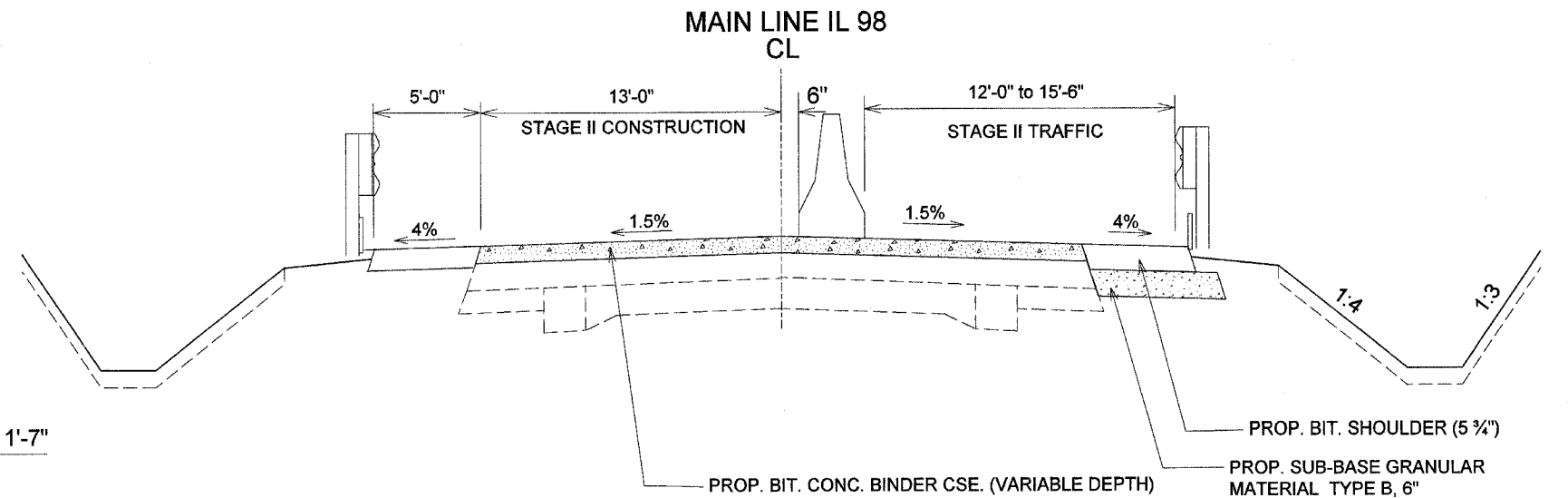
F.A.U. RTE.	SECTION	COUNTY	TOTAL SHEETS	SHEET NO.
6769	(8)BR-4	TAZEWELL	102	25
STA. 308+58		TO STA. 329+41		
FED. ROAD DIST. NO. 4	ILLINOIS	FED. AID PROJECT		



STAGE II REMOVAL



STAGE II CONSTRUCTION



REVISIONS	
NAME	DATE

ILLINOIS DEPARTMENT OF TRANSPORTATION

TYPICAL SECTIONS STAGE II

SCALE: VERT. _____
 HORIZ. _____

DATE _____

DRAWN BY _____
 CHECKED BY _____