

STATE OF ILLINOIS
DEPARTMENT OF TRANSPORTATION

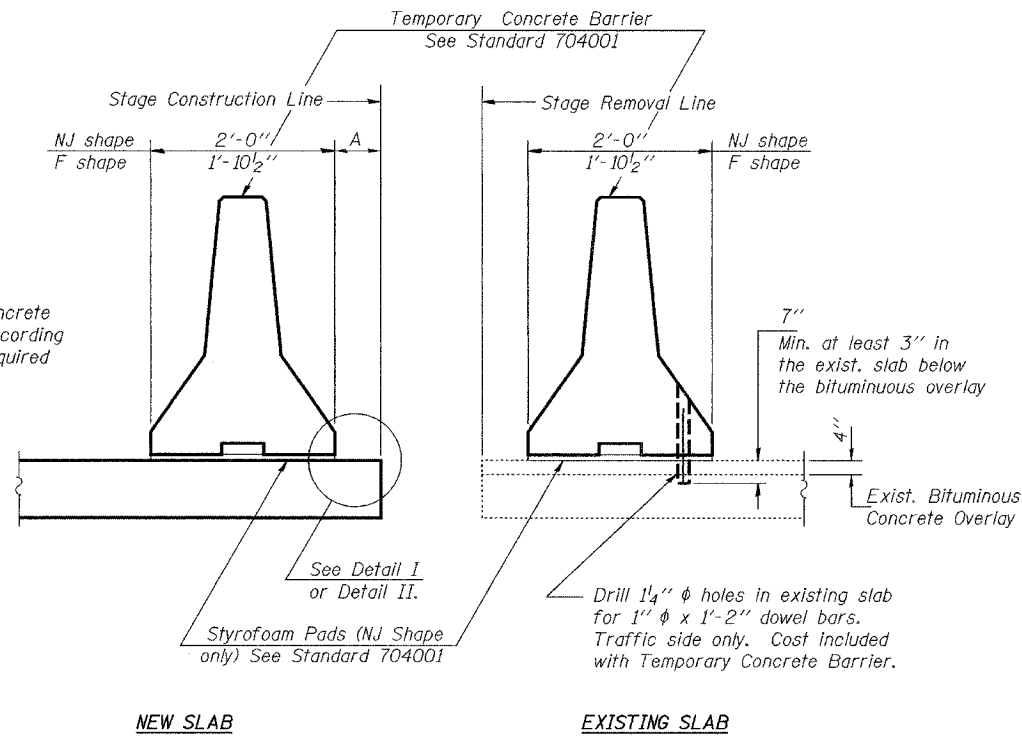
ROUTE NO.	SECTION	COUNTY	FED. AID DIST.	SHEET NO.
FAU 6769	(BB) BR-4	TAZEWELL	102	38
FED. ROAD DIST. NO. 7	ILLINOIS	FED. AID PROJECT		

SHEET NO. 4

16 SHEETS

Contract No. 68247

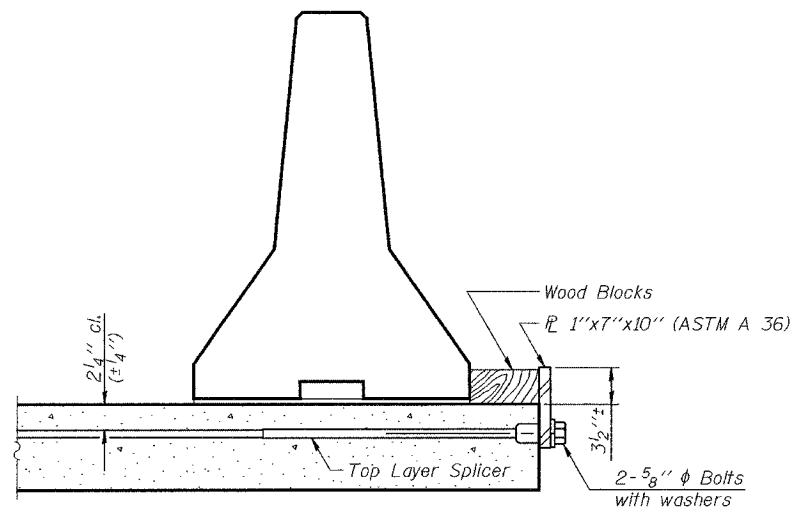
When "A" is 3'-6" or less, the temporary concrete barrier shall be anchored to the new slab according to Detail I or Detail II. No anchorage is required when "A" is greater than 3'-6".



SECTIONS THRU SLAB

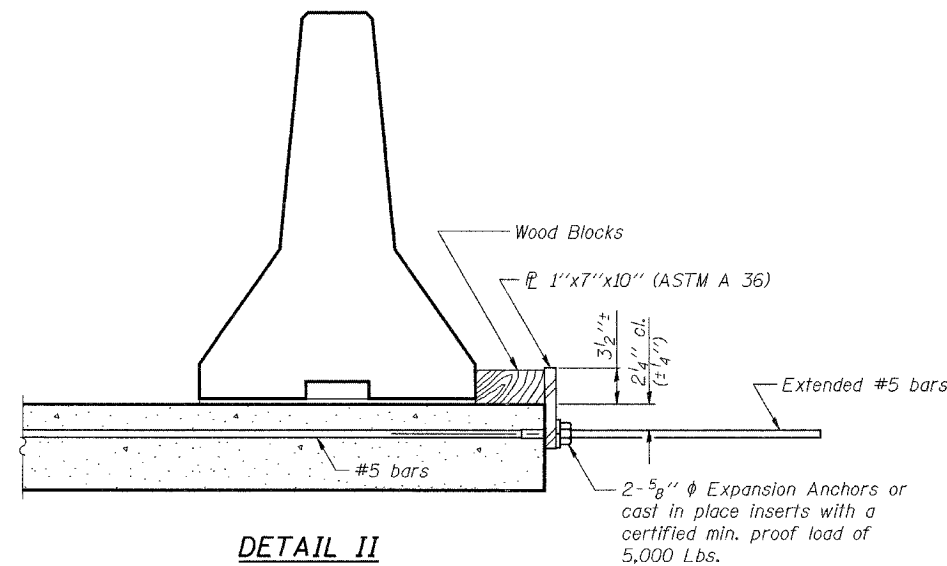
NOTES

- Detail I - With Bar Splicer or Couplers:
Connect one (1) 1"x7"x10" steel PL to the top layer of couplers with 2-5/8" phi bolts screwed to coupler at approximate C of each barrier panel.
- Detail II - With Extended Reinforcement Bars:
Connect one (1) 1"x7"x10" steel PL to the concrete slab with 2-5/8" phi Expansion Anchors or cast in place inserts spaced between the top layer of reinforcement at approximate C of each barrier panel.
- Cost of anchorage is included with Temporary Concrete Barrier.



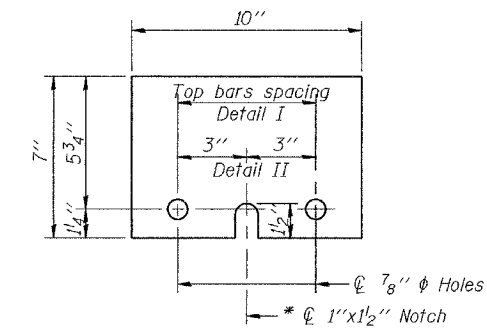
DETAIL I

The 1"x7"x10" Plate shall not be removed until Stage II Construction forms and reinforcement bars are in place.



DETAIL II

The 1"x7"x10" Plate shall not be removed until Stage II Construction forms and all reinforcement bars are in place and the concrete is ready to be placed.



1" x 7" x 10"

* Required only with Detail II

DESIGNED	MDS
CHECKED	AJB/DFZ
DRAWN	h.t. duong
CHECKED	MDS/AJB

Sep. 12, 2006
EXAMINED *Thomas J. Domagala*
ENGINEER OF BRIDGE DESIGN
PASSED *Ronald E. Anderson*
ENGINEER OF BRIDGES AND STRUCTURES

TEMPORARY CONCRETE BARRIER
FOR STAGE CONSTRUCTION
F.A.U. 6769 - SECTION (BB)BR-4
TAZEWELL COUNTY
STATION 319+71
STRUCTURE NO. 090-0173