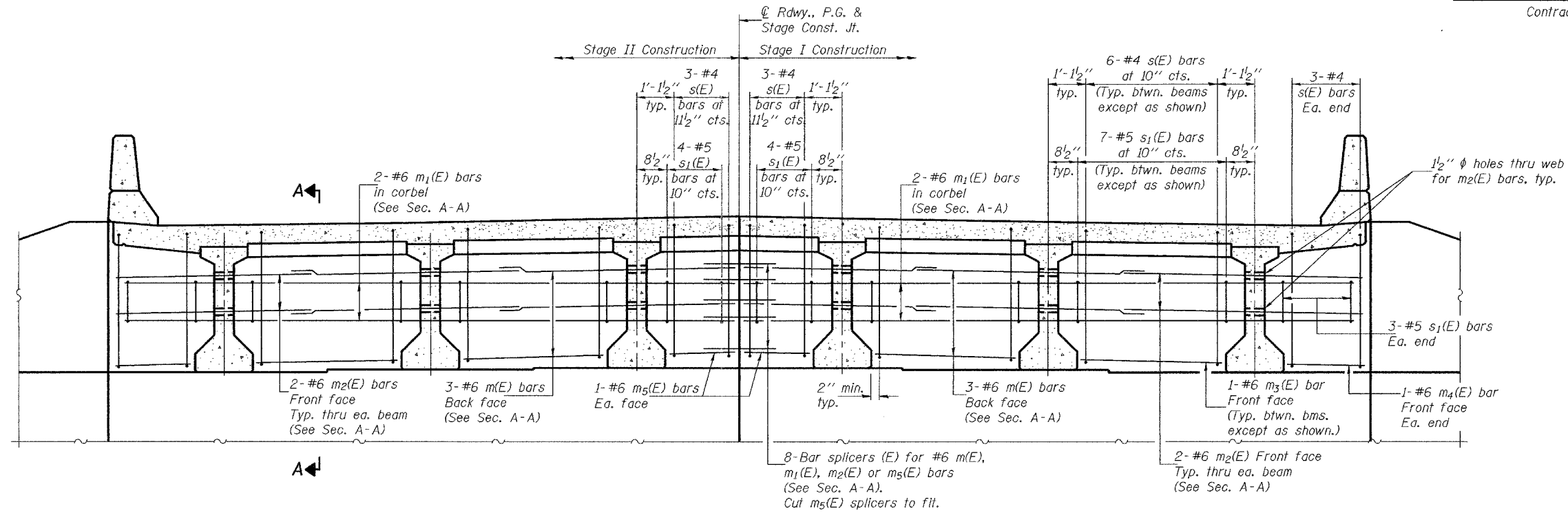


STATE OF ILLINOIS
DEPARTMENT OF TRANSPORTATION

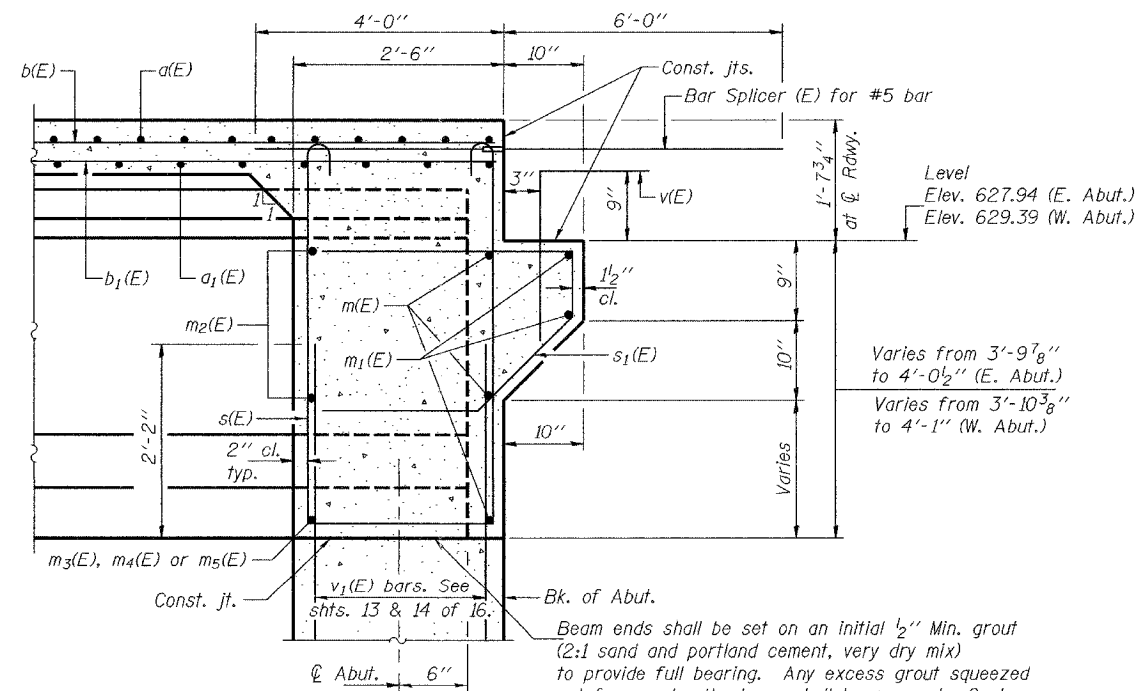
ROUTE NO.	SECTION	COUNTY	LEAFS	SHEET	SHEET NO. 9 16 SHEETS
FAU 6769	(8B) BR-4	TAZEWELL	102	43	
FED. ROAD DIST. NO. 7		ILLINOIS	FED. AID PROJECT		

Contract No. 68247



DIAPHRAGM ELEVATION AT WEST ABUTMENT
(Looking west - East Abut. similar)

Notes: Reinforcement bars in diaphragm are billed with superstructure on sheet 8 of 16.
Concrete in diaphragm is included with Concrete Superstructure on sheet 8 of 16.
For details of bar splicers, see sheet 15 of 16.
Reinforcement bars designated (E) shall be epoxy coated.
For details of bars s(E) and s₁(E) see sheet 8 of 16.



SECTION A-A

Beam ends shall be set on an initial 1/2" Min. grout (2:1 sand and portland cement, very dry mix) to provide full bearing. Any excess grout squeezed out from under the beam shall be removed. Cost included with Concrete Structures.

MIN. BAR LAPS
#6 bars = 2'-9"

DESIGNED	MDS
CHECKED	DFZ/AJB
DRAWN	h.f. duong
CHECKED	MDS/AJB

Sep. 12, 2006
EXAMINED *Thomas J. Damagala*
ENGINEER OF BRIDGE DESIGN
PASSED *Ralph E. Anderson*
ENGINEER OF BRIDGES AND STRUCTURES

DIAPHRAGM DETAILS
F.A.U. 6769 - SECTION (8B)BR-4
TAZEWELL COUNTY
STATION 319+71
STRUCTURE NO. 090-0173