

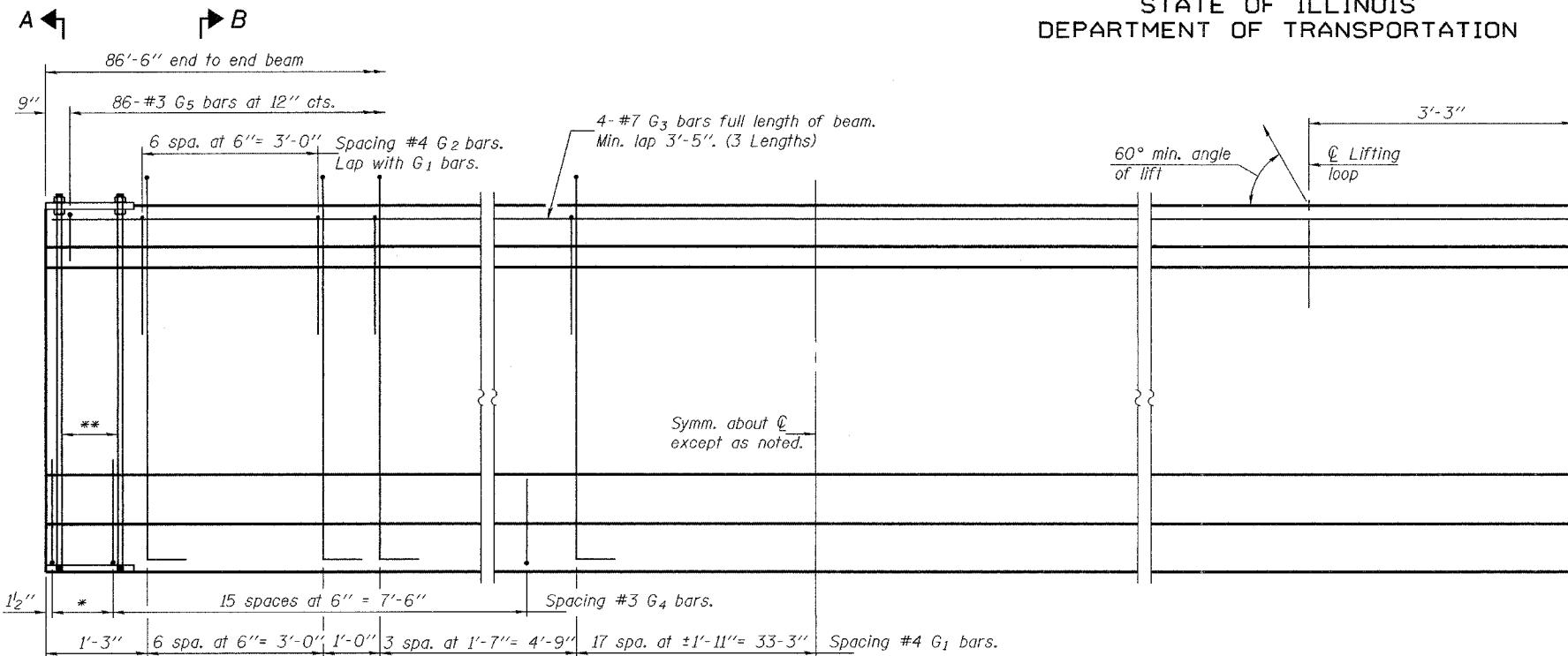
STATE OF ILLINOIS
DEPARTMENT OF TRANSPORTATION

ROUTE NO.	SECTION	COUNTY	SHEET NO.	SHEET NO.
FAU 6769	(8B) BR-4	TAZEWELL	102	45
FED. ROAD DIST. NO. 7	SUBDIVISION	FED. AID PROJECT-		

Contract No. 68247

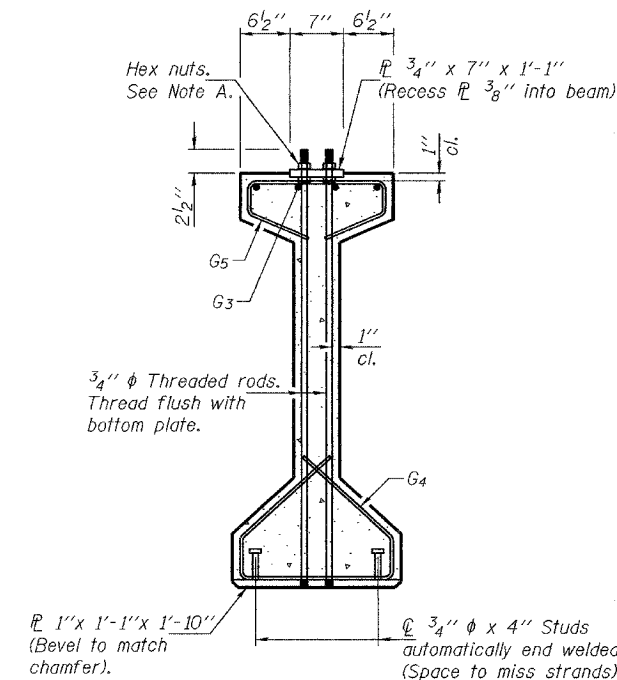
SHEET NO. 11

16 SHEETS

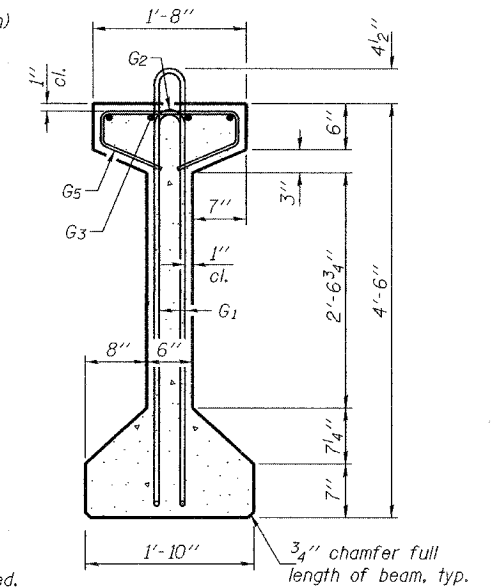


ELEVATION OF BEAM
(Showing reinforcement & dimensions)

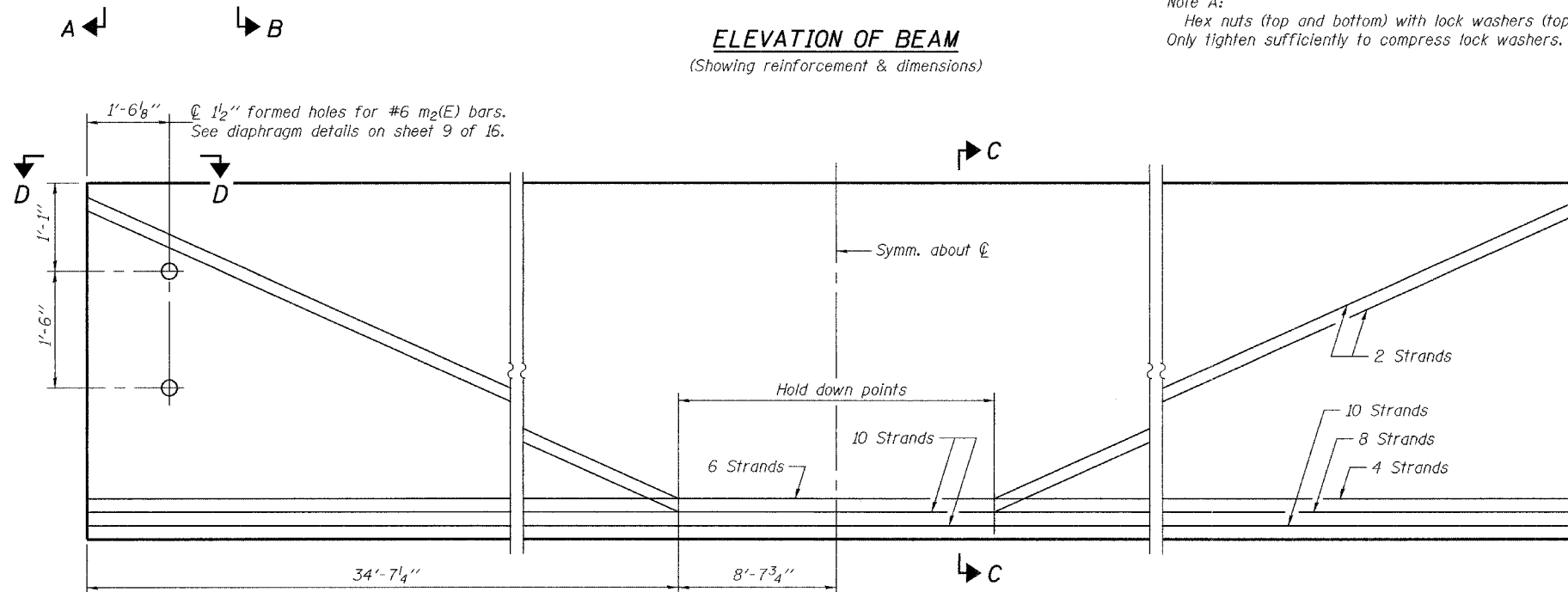
Note A:
Hex nuts (top and bottom) with lock washers (top).
Only tighten sufficiently to compress lock washers.



SECTION A-A

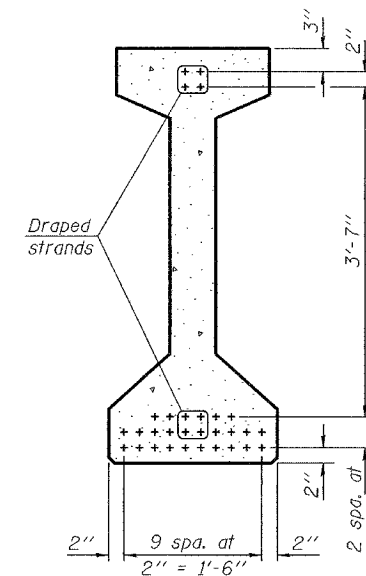


SECTION B-B



ELEVATION OF BEAM
(Showing prestressing steel)

* 3 spaces at 3" = 9".
** 4-3/4" φ threaded dowel rods at 3" cts., each face.



SECTION C-C

BAR LIST
ONE BEAM ONLY

Bar	No.	Size	Length	Shape
G1	55	#4	10'-5"	∩L
G2	14	#4	5'-4"	∩
G3	12	#7	31'-1"	—
G4	38	#3	4'-11"	Σ
G5	86	#3	3'-5"	∩

Notes:
See sheet 12 of 16 for additional details and Bill of Material.
Required release strength, f'ci, shall be 5000 psi.
For View D-D, see sheet 12 of 16.

DESIGNED	MDS
CHECKED	DFZ/AJB
DRAWN	h.t. duong
CHECKED	MDS/AJB

Sep. 12, 2006
EXAMINED *Thomas J. Demagala*
PASSED *Ralph E. Anderson*
ENGINEER OF BRIDGES AND STRUCTURES

PI-4-54 7-15-05

54" PPC I-BEAM DETAILS
F.A.U. 6769 - SECTION (8B)BR-4
TAZEWELL COUNTY
STATION 319+71
STRUCTURE NO. 090-0173