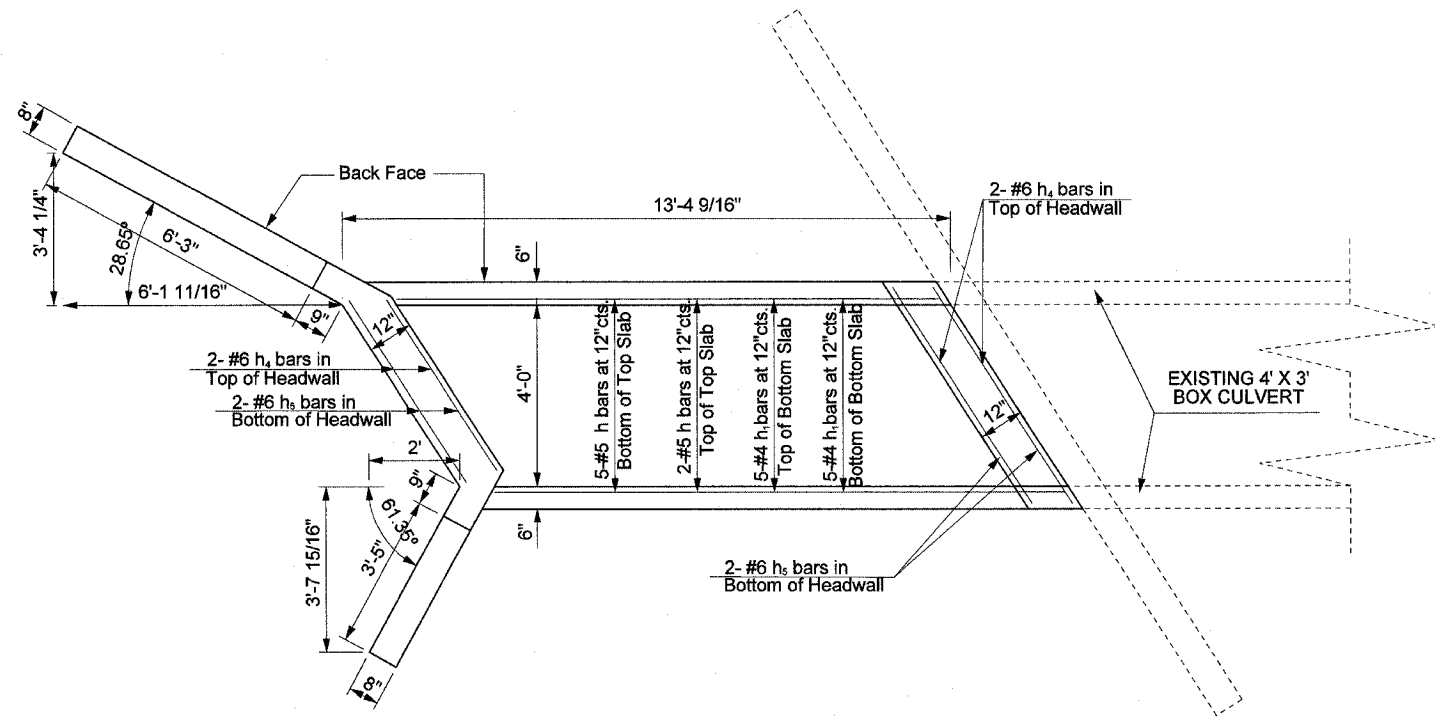
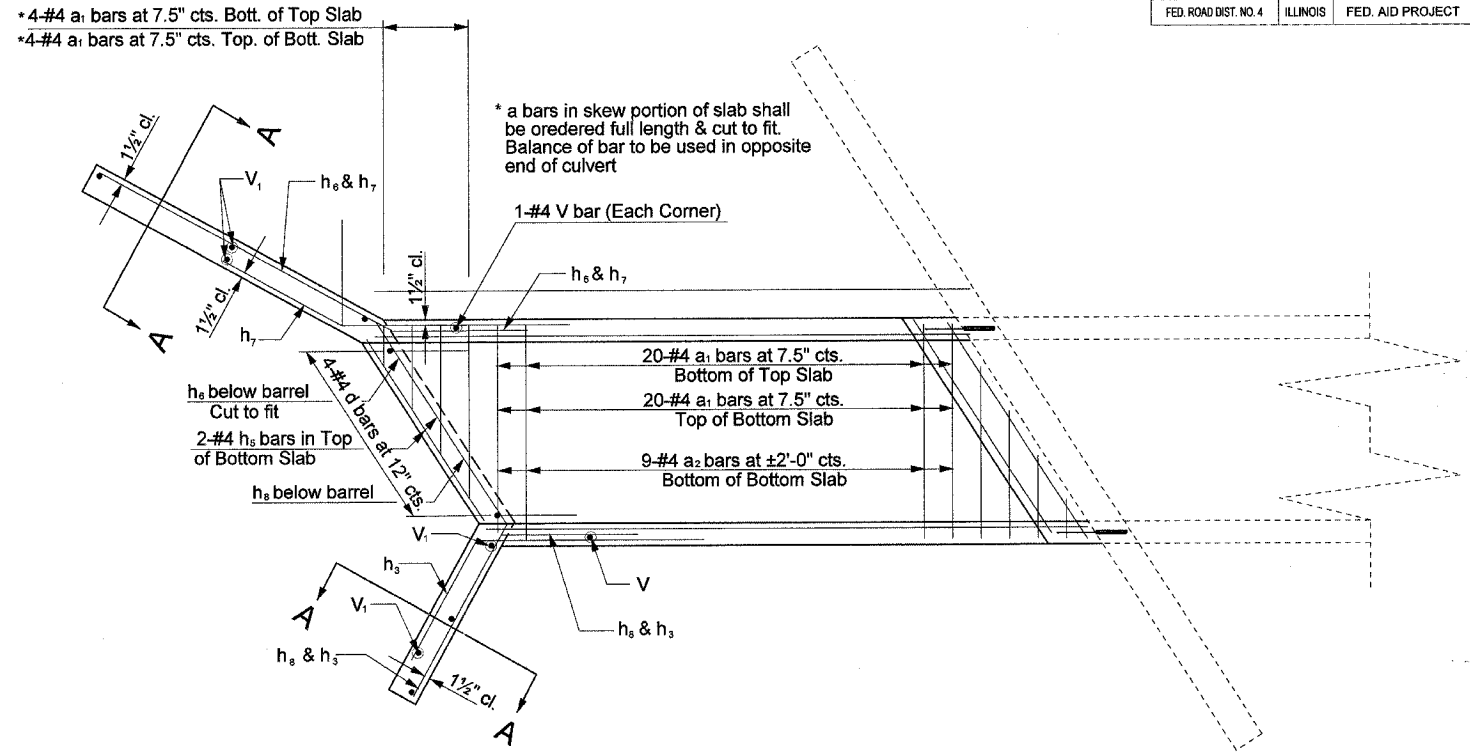


F.A.U. RTE.	SECTION	COUNTY	TOTAL SHEETS	SHEET NO.
6789	(8B)BR-4	TAZEWELL	102	51
STA. 308+58		TO STA. 329+41		
FED. ROAD DIST. NO. 4		ILLINOIS	FED. AID PROJECT	



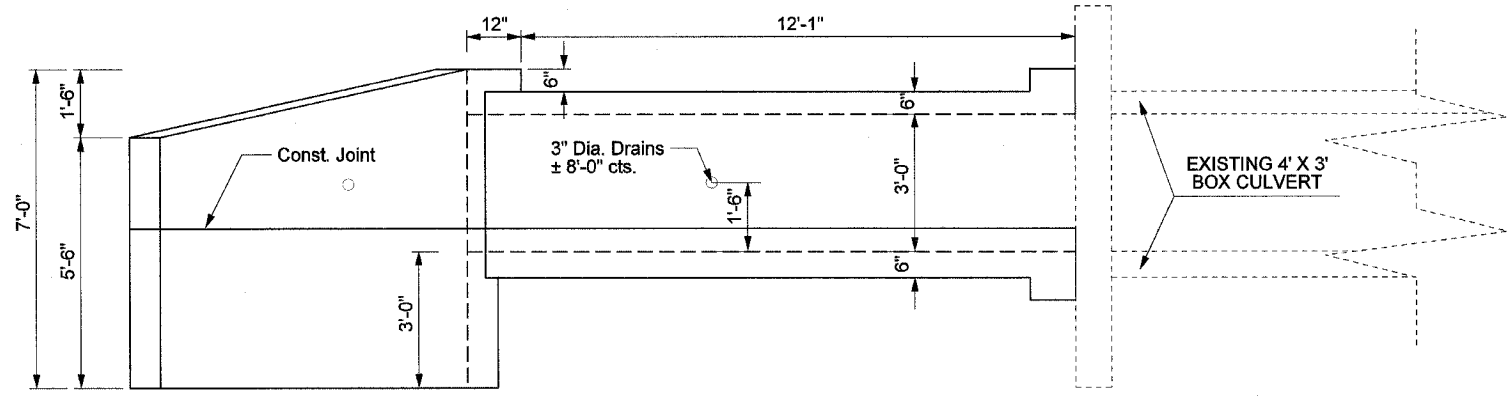
PLAN SHOWING OUTLINES
LT. STA. 312+12.73 (SKEW ANGLE = 32.7°)



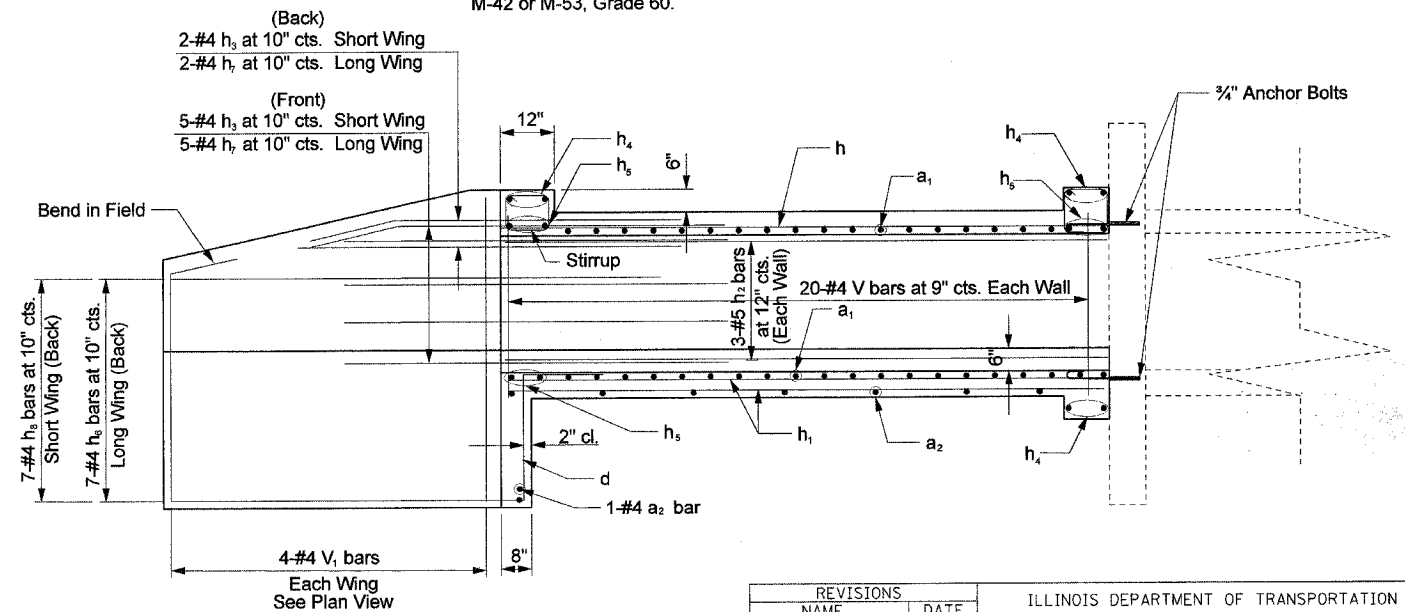
PLAN SHOWING REINFORCEMENT
LT. STA. 312+12.73 (SKEW ANGLE = 32.7°)

NOTES

A distance of half the length of the wingwall but not less than six feet of the barrel shall be poured monolithically with the wingwalls.
Reinforcement Bars shall conform to the requirements of AASHTO M-31, M-42 or M-53, Grade 60.



ELEVATION
LT. STA. 312+12.73 (SKEW ANGLE = 32.7°)



ELEVATION SHOWING REINFORCEMENT
LT. STA. 312+12.73 (SKEW ANGLE = 32.7°)

REVISIONS	
NAME	DATE

ILLINOIS DEPARTMENT OF TRANSPORTATION
Culvert Extension Detail
Lt Sta. 312+12.73
(4' x 3' Box Culvert)
SCALE: VERT. _____
HORIZ. _____
DATE _____
DRAWN BY _____
CHECKED BY _____

PLOT DATE = 8/21/2006
 PLOT SCALE = 25X
 USER NAME = bruceb