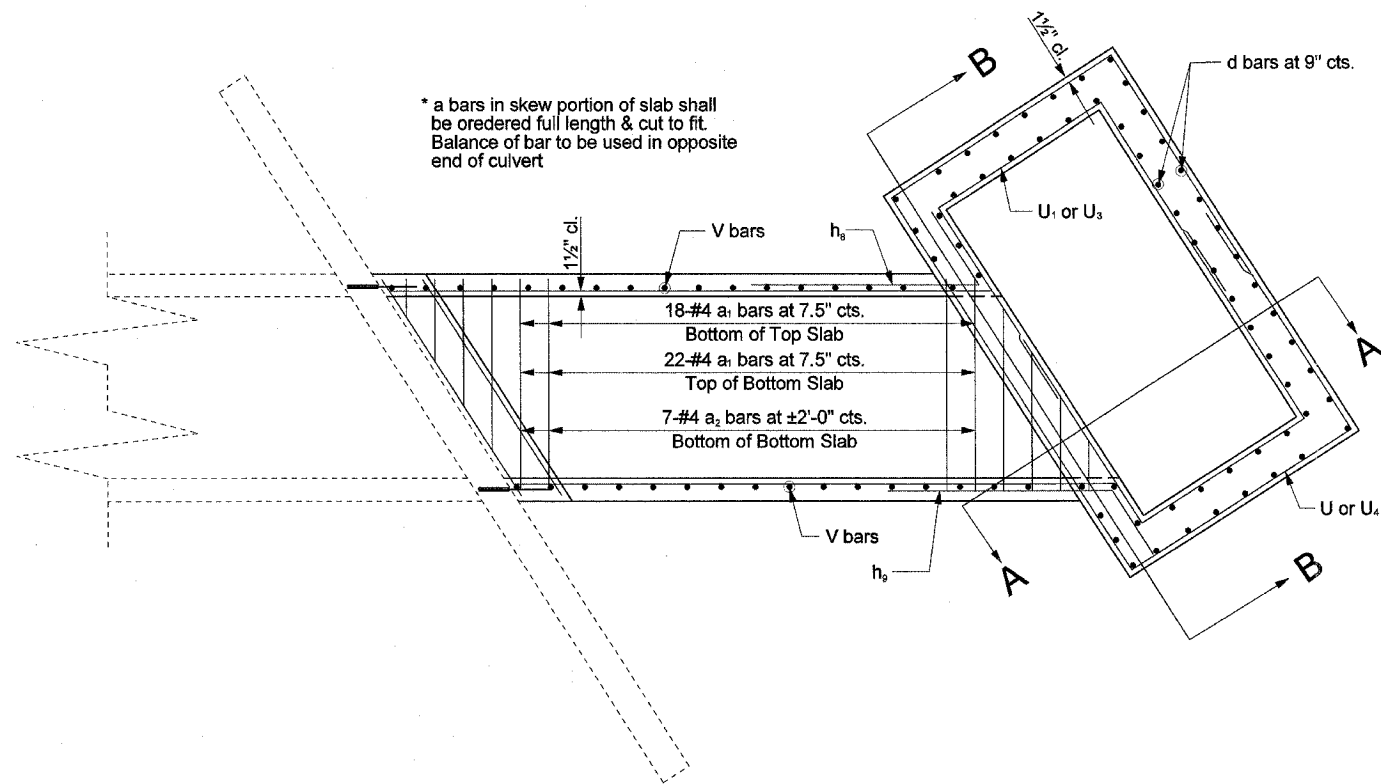
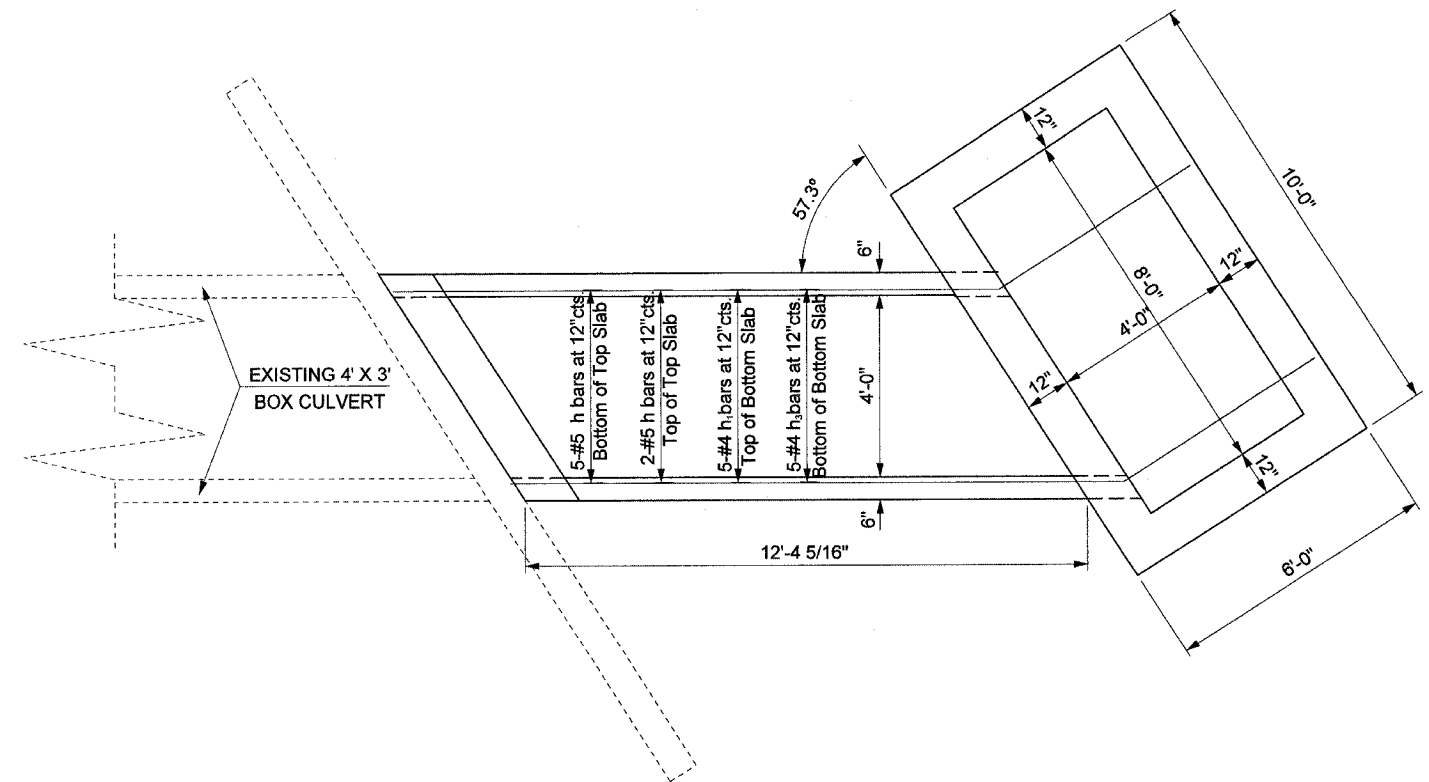


F.A.U. RTE.	SECTION	COUNTY	TOTAL SHEETS	SHEET NO.
6769	(8)BR-4	TAZEWELL	102	53
STA. 308+58		TO STA. 329+41		
FED. ROAD DIST. NO. 4		ILLINOIS	FED. AID PROJECT	

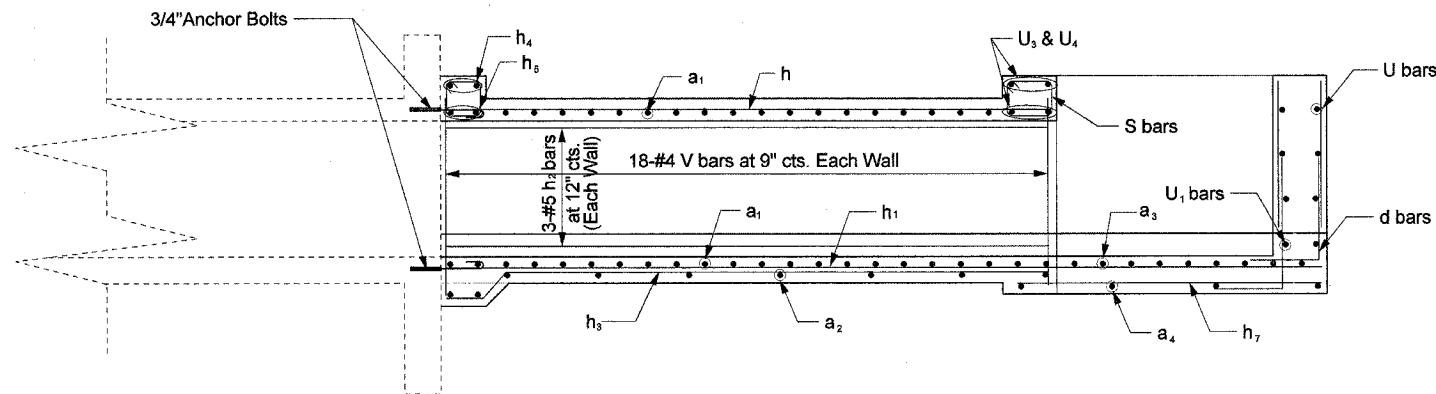


* a bars in skew portion of slab shall be ordered full length & cut to fit. Balance of bar to be used in opposite end of culvert

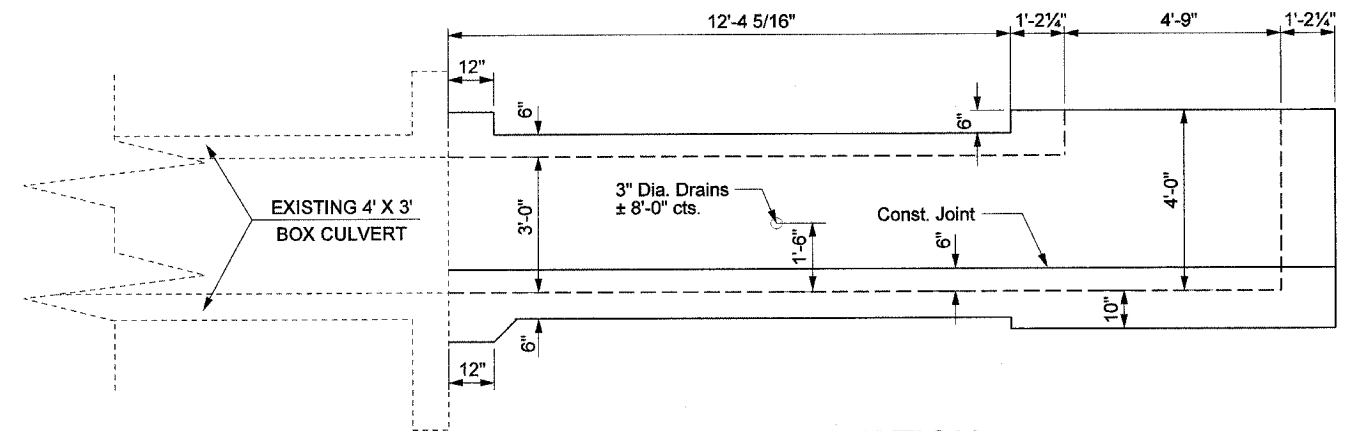
PLAN SHOWING REINFORCEMENT
RT. STA. 312+12.73 (SKEW ANGLE = 32.7°)



PLAN SHOWING OUTLINES
RT. STA. 312+12.73 (SKEW ANGLE = 32.7°)



ELEVATION SHOWING REINFORCEMENT
RT. STA. 312+12.73 (SKEW ANGLE = 32.7°)



ELEVATION
RT. STA. 312+12.73 (SKEW ANGLE = 32.7°)

PLOT DATE = 8/21/2006
 PLOT USER = JTCuliv-Ext.dgn
 PLOT SCALE = 20000
 USER NAME = bruceb

REVISIONS	
NAME	DATE

ILLINOIS DEPARTMENT OF TRANSPORTATION

**Culvert Extension Detail
& Drop Box Detail
Rt Sta. 312+12.73
(4' x 3' Box Culvert)**

SCALE: VERT.
HORIZ.
DATE

DRAWN BY
CHECKED BY