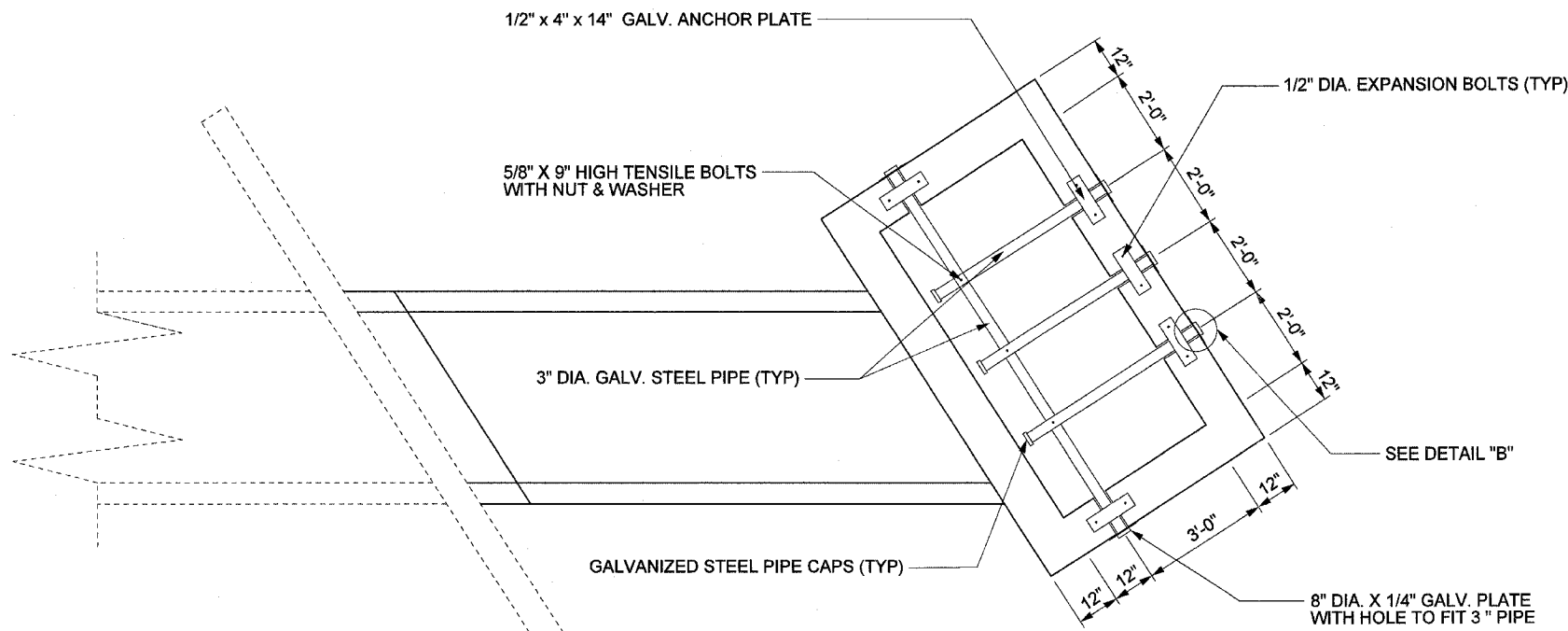
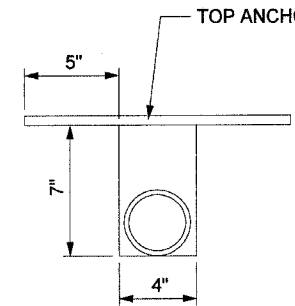


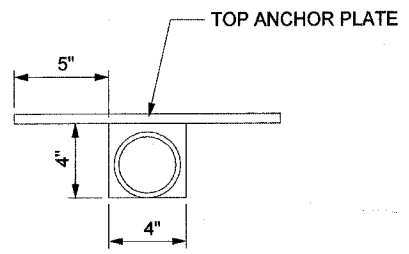
F.A.U. RTE.	SECTION	COUNTY	TOTAL SHEETS	SHEET NO.
6769	(8B)BR-4	TAZEWELL	102	55
STA. 308+58		TO STA. 329+41		
FED. ROAD DIST. NO. 4		ILLINOIS		FED. AID PROJECT



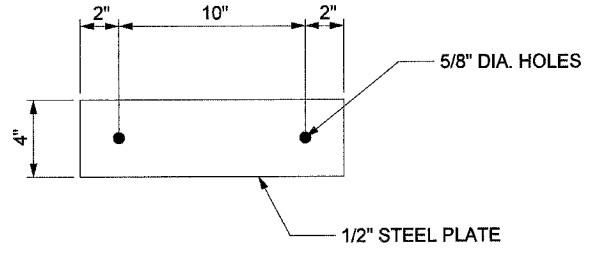
RT. STA. 312+12.73 (SKEW ANGLE = 32.7°)
GRATED INLET, SPECIAL DETAIL



DETAIL "A"



DETAIL "B"



TOP ANCHOR PLATE

BILL OF MATERIALS		
ITEMS	UNITS	QTY.
3" DIA. GALV. STEEL PIPE	EACH	1 @ 10'-2"
1/2" x 4" x 14" GALV. ANCHOR PLATE	EACH	3 @ 4'-10 1/2"
5/8" x 9" GALV. BOLTS	EACH	3
GALV. STEEL PIPE CAPS	EACH	8
1/2" DIA. GALV. EXPANSION BOLTS	EACH	10
8" DIA. x 1/4" GALV. PLATE	EACH	5

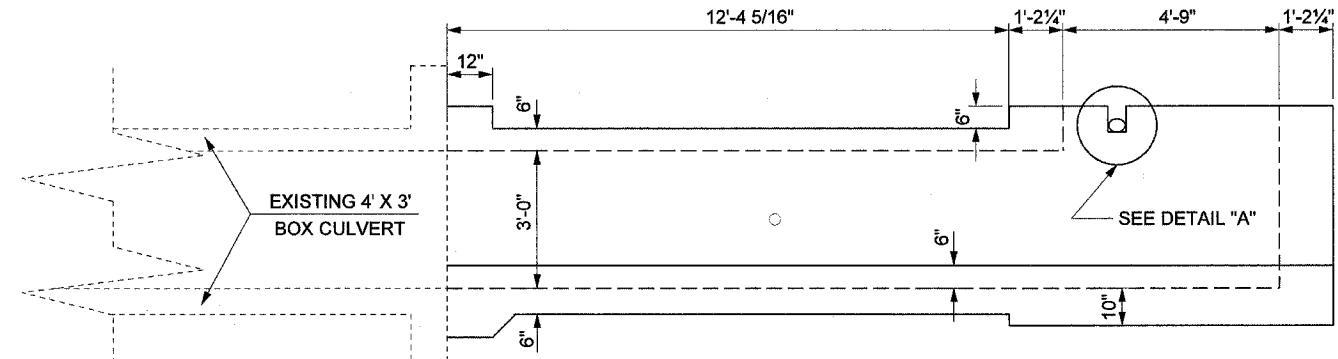
GENERAL NOTES:

STEEL PIPES SHALL COMFORM TO ASTM A-500 GRADE B, AND SHALL BE GALVANIZED COMFORMING TO ASTM A-123.

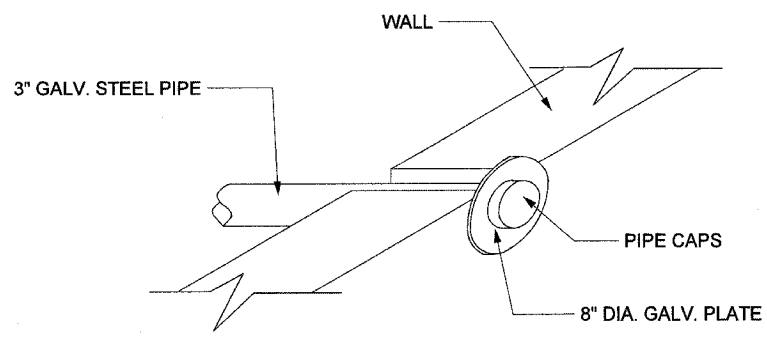
STEEL PLATES SHALL COMFORM TO ASTM A-709 GRADE 250 & SHALL BE GALVANIZED COMFORMING TO ASTM A-123.

BOLTS, NUTS & WASHERS SHALL BE IN ACCORDANCE WITH ARTICLE 1006.08 OF THE STANDARD SPECIFICATIONS AND SHALL BE GALVANIZED.

THE CONTRACT UNIT PRICE "EACH" FOR GRATED INLET, SPECIAL SHALL INCLUDE THE EXPANSION BOLTS, GALVANIZED STEEL PIPES, BOLTS, NUTS, WASHERS, PIPE CAPS, 8" DIA. x 1/4" GALVANIZED PLATES AND ANCHOR PLATES.



ELEVATION
RT. STA. 312+12.73 (SKEW ANGLE = 32.7°)



8" DIA. GALV. PLATE DETAIL

REVISIONS	
NAME	DATE

ILLINOIS DEPARTMENT OF TRANSPORTATION
**Culvert Extension Detail
& Drop Box Detail**
Rt Sta. 312+12.73
(4' x 3' Box Culvert)

VERT. SCALE: DRAWN BY
HORIZ. CHECKED BY
DATE

PLOT DATE = 8/21/2006
 FILE NAME = S:\GEN\OR\ST\DR\PLANS\50402\I\I.L. 99\Phase I\I\Gulv Ex.dgn
 USER NAME = bruceb
 USER NAME = bruceb