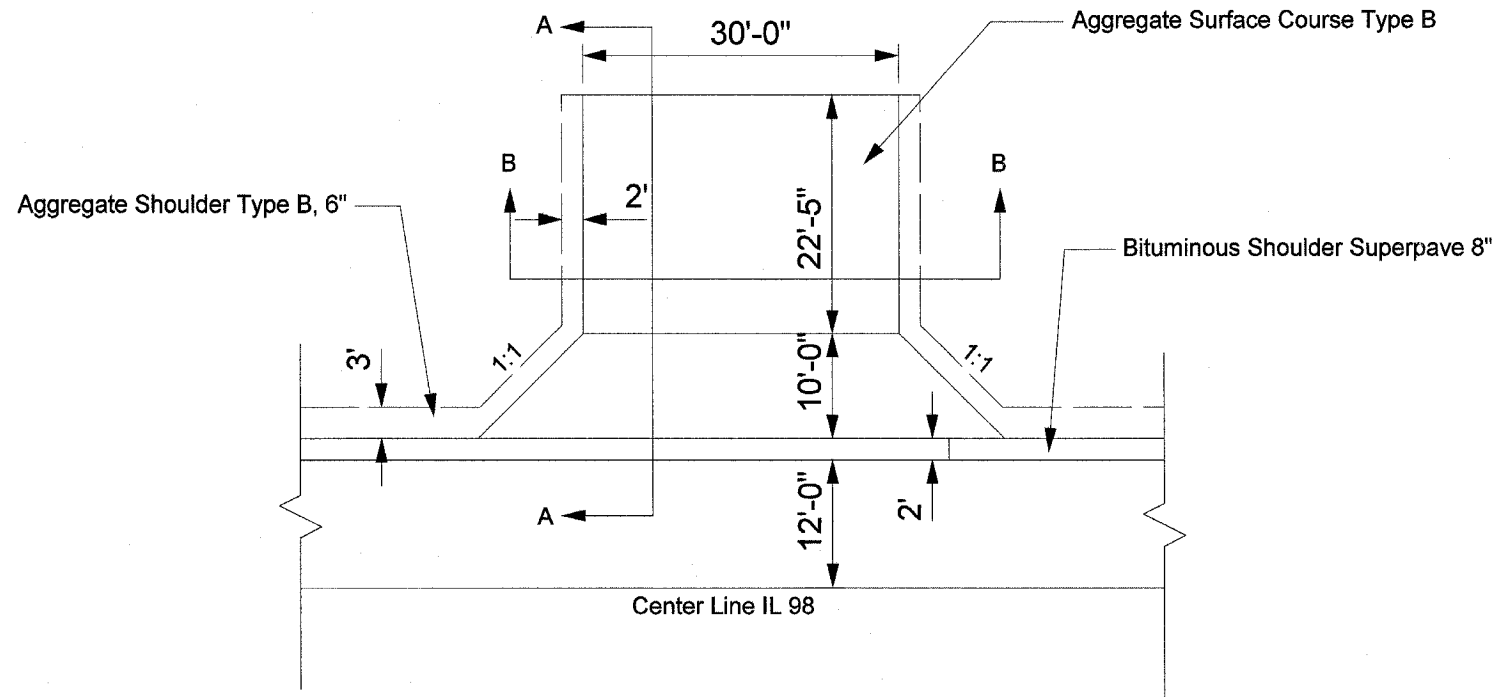
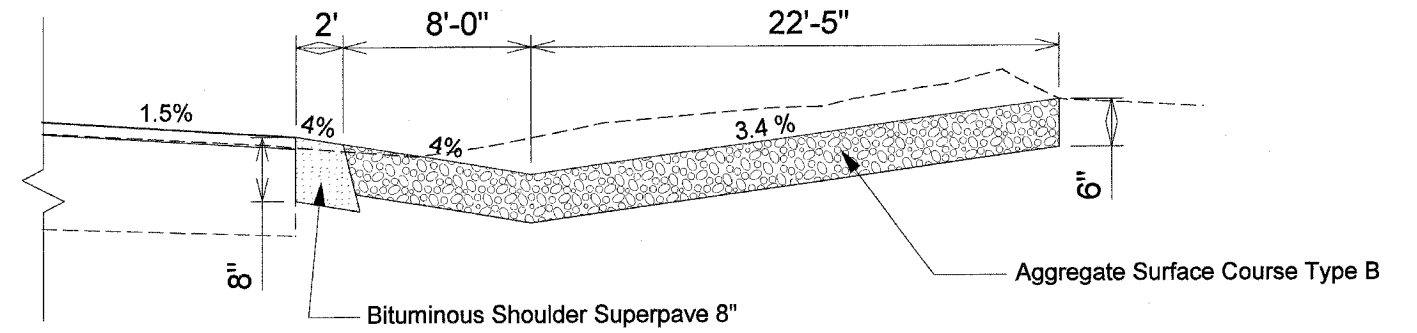


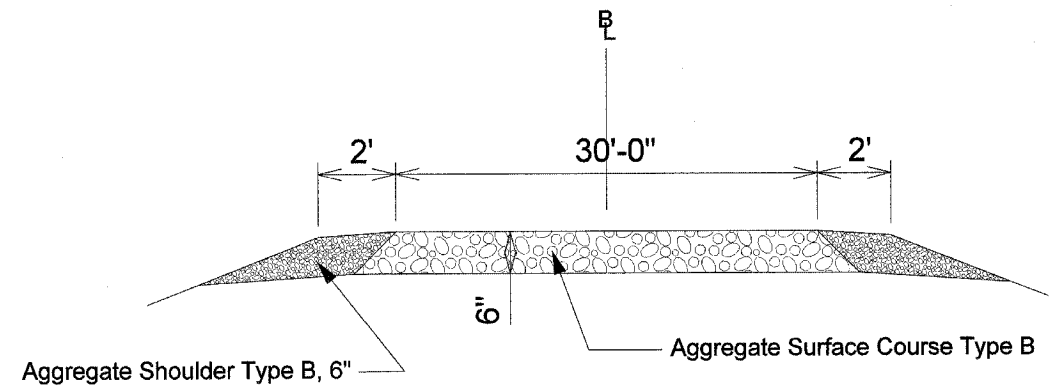
F.A.U. RTE.	SECTION	COUNTY	TOTAL SHEETS	SHEET NO.
6769	(8B) BR-4	TAZEWELL	102	58
STA. 308+58		TO STA. 329+21		
FED. ROAD DIST. NO. 4		ILLINOIS	FED. AID PROJECT	



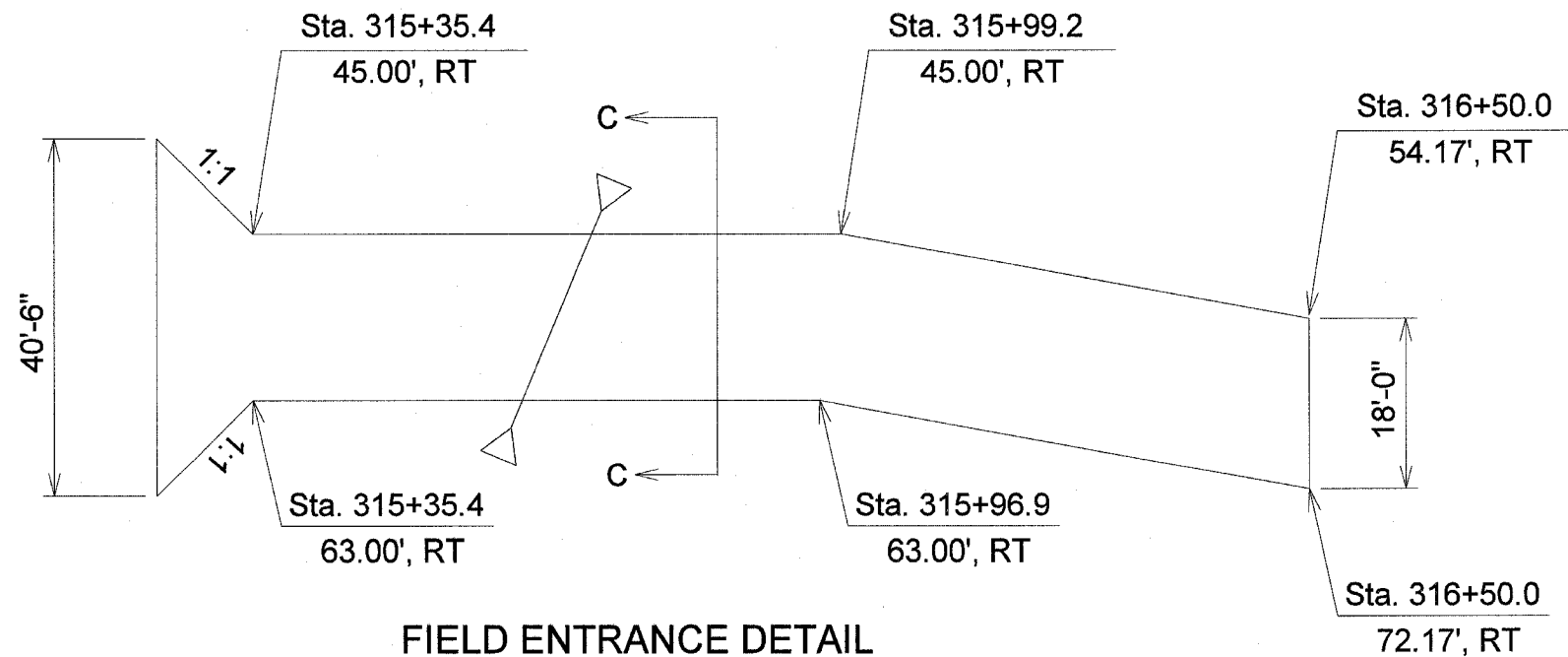
**FIELD ENTRANCE DETAIL**  
Rt. Sta. 325+78.2



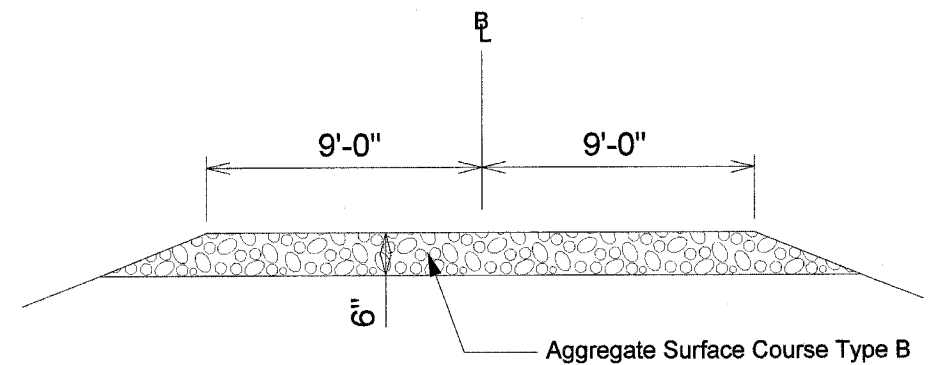
**SECTION A-A**



**SECTION B-B**



**FIELD ENTRANCE DETAIL**  
Rt. Sta. 315+25 to 316+50



**SECTION C-C**

ILLINOIS DEPARTMENT OF TRANSPORTATION

**FIELD ENTRANCE  
DETAILS**

SCALE: NOT DRAWN TO SCALE

DRAWN BY LCE  
CHECKED BY:

\$\$\$DATE\$\$\$