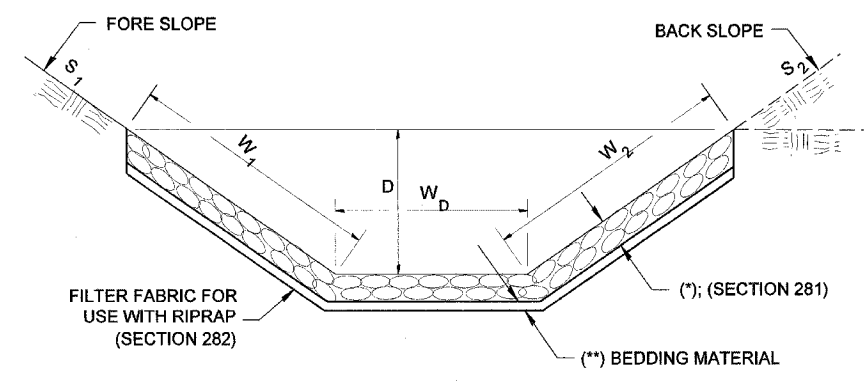


F.A.U. RTE.	SECTION	COUNTY	TOTAL SHEETS	SHEET NO.
6709	(8B) BR-4	TAZEWELL	102	61
STA. 308+58		TO STA. 329+21		
FED. ROAD DIST. NO. 4		ILLINOIS	FED. AID PROJECT	

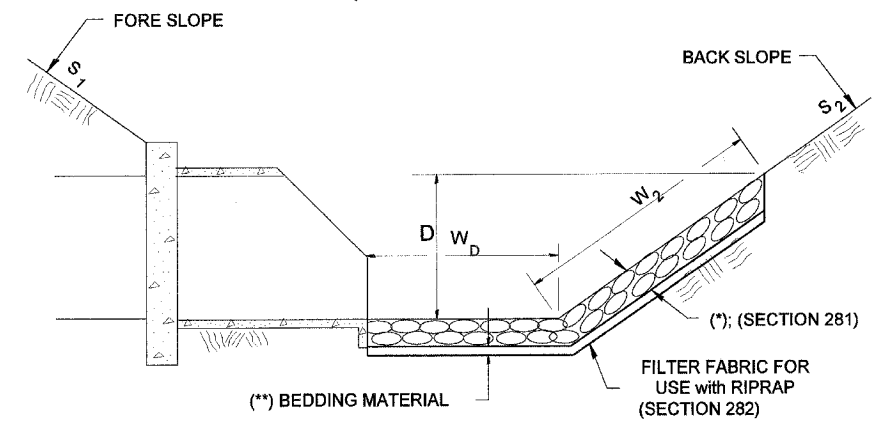
CASE 1
(DITCH)



STONE RIPRAP CLASS A4 & B3				
LOCATION	WIDTH (1)	LENGTH	RIPRAP	FABRIC
STA TO STA	LIN FT	LIN FT	SQ YD	SQ YD
LT STA. 312+00 - 312+23.7	12 to 10	24.4	29.8	29.8
LT STA. 312+55.5 - 312+78	14 to 13	23.5	35.3	35.3
LT STA. 312+00 - 312+24.4	13 to 11	27.0	36.0	36.0
RT STA. 311+17 - 311+92	9	75.0	75.0	75.0
RT STA. 315+45 - 315+62	19	23.8	50.2	50.2
RT STA. 315+69 - 319+17	VARIABLE	348.9	753.7	753.7
LT STA. 316+14 - 317+00	11.5 to 9'	92.0	104.8	104.8
LT STA. 317+00 - 317+16	9 to 10	17.0	17.9	17.9
LT STA. 320+17 - 320+24.6	18	5.5	11.0	11.0
LT STA. 320+24.6 - 320+50	18 to 16	29.0	54.8	54.8
LT STA. 320+50 - 321+00	16 to 8.5	48	65.3	65.3
LT STA. 321+00 - 321+18	8.5 to 14	18	22.5	22.5
RT STA. 320+25 - 320+50	16 to 24	36	80.0	80.0
RT STA. 320+50 - 321+00	13 to 16	53	85.4	85.4
TOTAL			1,421.7	1,421.7

(1) WIDTH = $W_1 + W_2 + W_D$

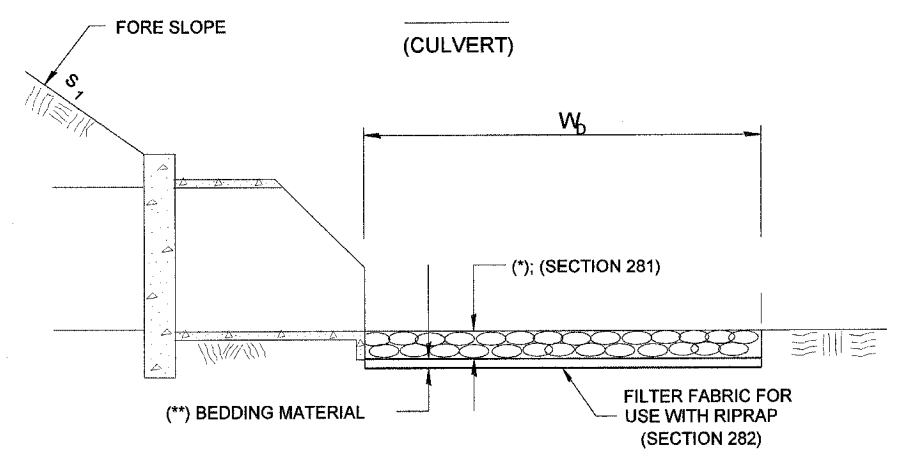
CASE 2
(CULVERT & SLOPE)



STONE RIPRAP CLASS A4				
LOCATION	WIDTH (1)	LENGTH	RIPRAP	FABRIC
STA TO STA	LIN FT	LIN FT	SQ YD	SQ YD
LT STA. 312+23.7 - 312+55.5	14 to 20	33.2	60.8	60.8
TOTAL			60.8	60.8

(1) WIDTH = $W_2 + W_D$

CASE 3
(CULVERT)



LOCATION	WIDTH (1)	LENGTH	RIPRAP	FABRIC
STA TO STA	LIN FT	LIN FT	SQ YD	SQ YD
TOTAL				

(1) WIDTH = W_B

All slope ratios are expressed as units of vertical displacement to units of horizontal displacement (V:H).

All dimensions are in millimeters (inches) unless otherwise noted.

ILLINOIS DEPARTMENT OF TRANSPORTATION
SPECIAL DETAIL SHEET

RIPRAP DITCH FOR EROSION PROTECTION

CADD DETAIL 281001-D4
SCALE: NOT DRAWN TO SCALE
DATE: \$\$\$DATE\$\$\$
DRAWN BY: CADD
CHECKED BY:

DATE	REVISIONS	BY
1-1-97	RENUM. A-12.02, NEW REVISION BOX	T.P.
12-1-97	CORRECT FILTER FABRIC LEADER ARROW	J.A.

Designer NOTES:
1. Designer to modify this Special Detail Sheet, as needed for inclusion in plans.
2. (*) Designer to specify any item including material, quality, and gradation.
3. (**) Designer to specify thickness of bedding material.
4. Include District Special Provision if needed.