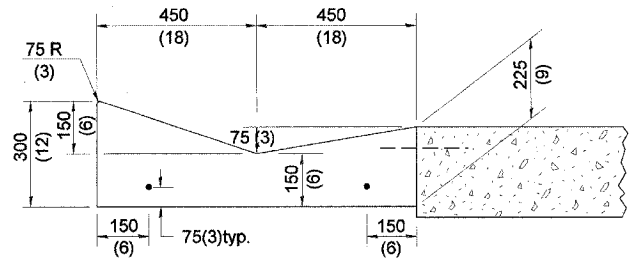
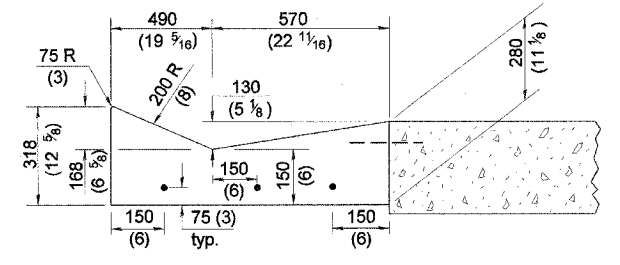


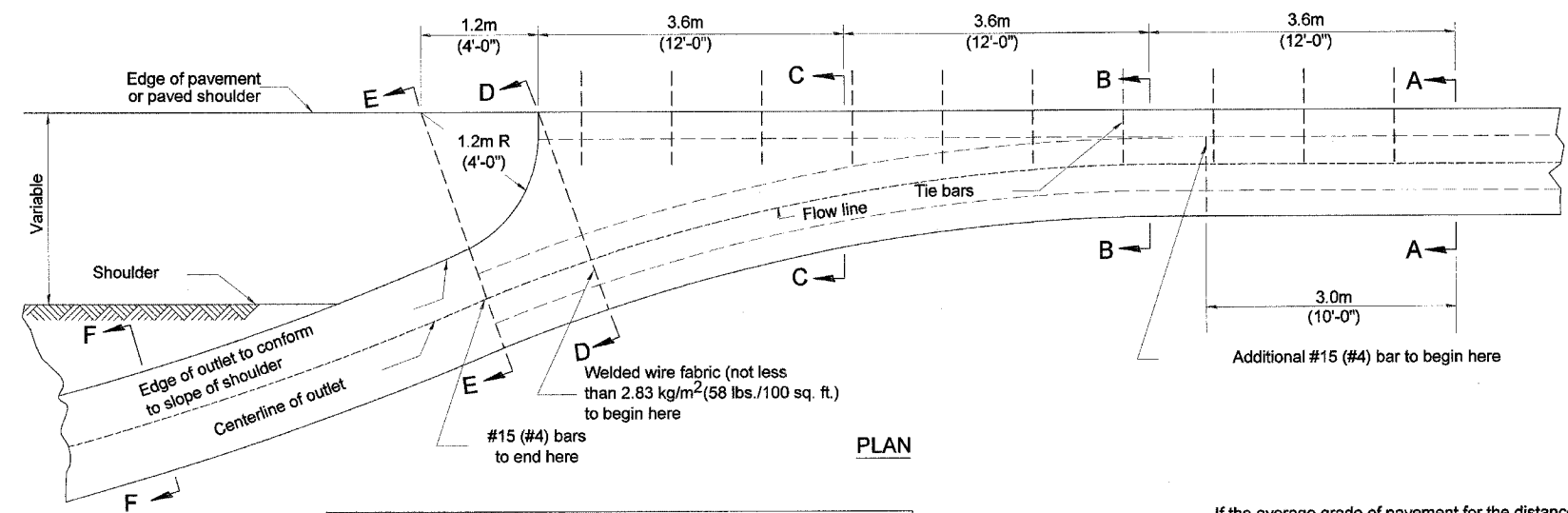
F.A.U. RTE.	SECTION	COUNTY	TOTAL SHEETS	SHEET NO.
6769	(88) BR-4	TAZEWELL	102	69
STA. 308+58		TO STA. 329+21		
FED. ROAD DIST. NO. 4		ILLINOIS	FED. AID PROJECT	



SECTION A-A



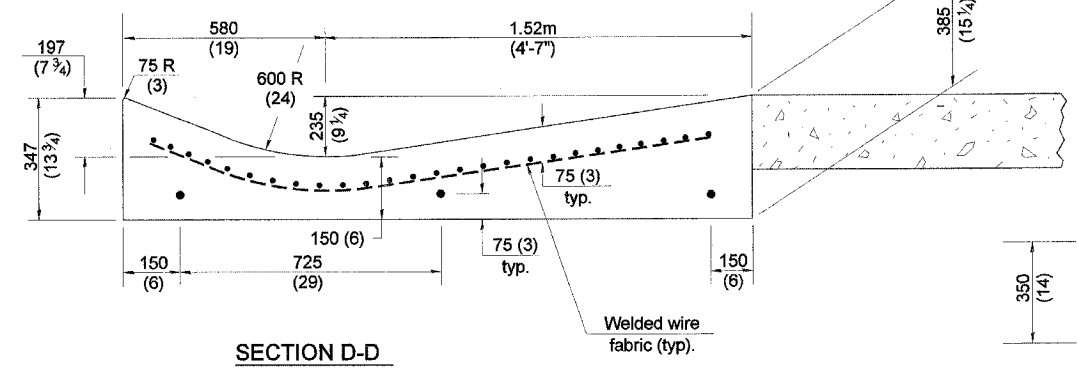
SECTION B-B



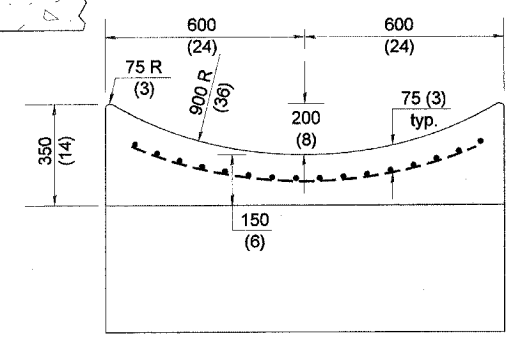
PLAN

QUANTITY
 Section A-A to E-E= 4.96 cu. yd. concrete.
 Section F-F= 0.11 cu. yd./ft. concrete.

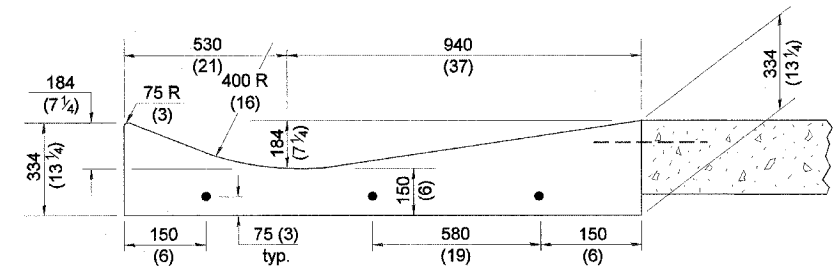
If the average grade of pavement for the distance from section A-A to section D-D exceeds 2%, this distance shall be increased 1.8 m (6 ft.) for each 1% increase in grade. A quantity adjustment is required.



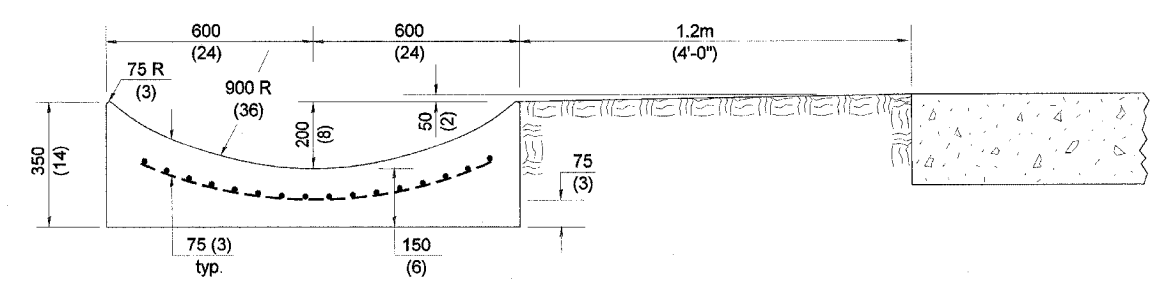
SECTION D-D



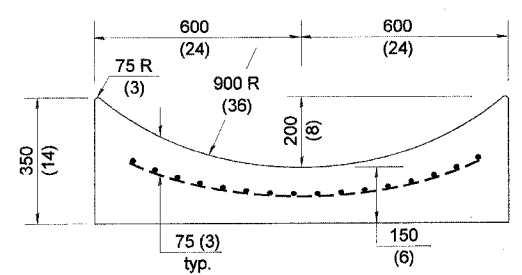
SECTIONS AT END OF OUTLET (CURTAIN WALL)



SECTION C-C



SECTION E-E



SECTION F-F

QUANTITY
 Curtain Wall
 0.17 cu. yd. concrete.

All dimensions are in millimeters (inches) unless otherwise noted.

OUTLET

QUANTITIES

CALC. BY:	LCE	MAY 18, 2006
CHECKED BY:		DATE:
		DATE:

QUANTITY CALCULATIONS ARE ON FILE AT THE DISTRICT 4 OFFICE; BUREAU OF PROJECT IMPLEMENTATION; DOCUMENTATION SECTION

ILLINOIS DEPARTMENT OF TRANSPORTATION	
DISTRICT CADD STANDARD	
TYPE A GUTTER, (MODIFIED)	
(INLET, OUTLET & ENTRANCE)	
CADD STANDARD 606101-D4	SHEET 2 OF 3
SCALE: NOT DRAWN TO SCALE	DRAWN BY: CADD
DATE: \$\$\$DATE\$\$	CHECKED BY: