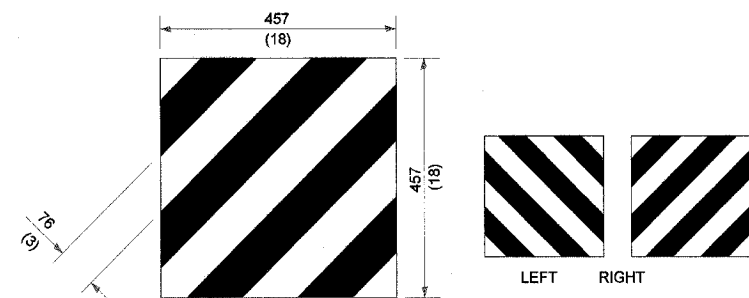
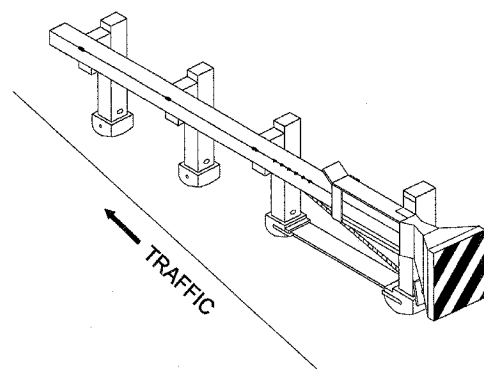


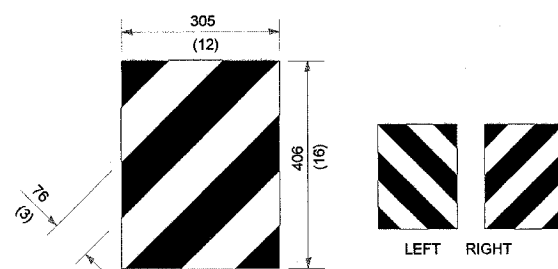
F.A.U. RTE.	SECTION	COUNTY	TOTAL SHEETS	SHEET NO.
6789	(8B) BR-4	TAZEWELL	102	74
STA. 308+58		TO STA. 329+21		
FED. ROAD DIST. NO. 4		ILLINOIS	FED. AID PROJECT	



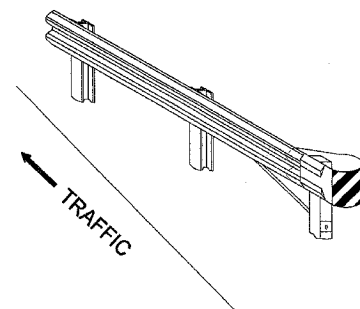
For Traffic Barrier Terminal Type 1 (Special)



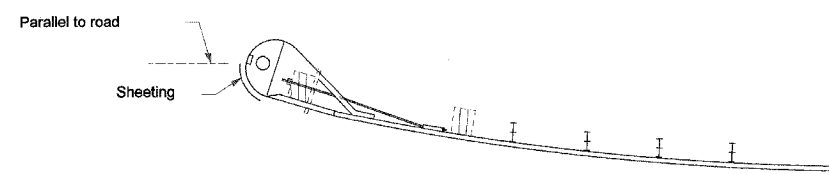
Standard Treatment - Direct Applied Sheeting
Traffic Barrier Terminal Type 1 (Special)



For Traffic Barrier Terminal Type (*)
and Post Mount
* See Plans for Type



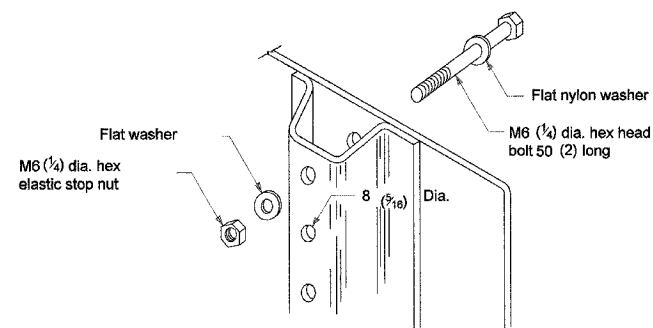
Standard Treatment - Direct Applied Sheeting
Traffic Barrier Terminal Type (*)
* See Plans for Type



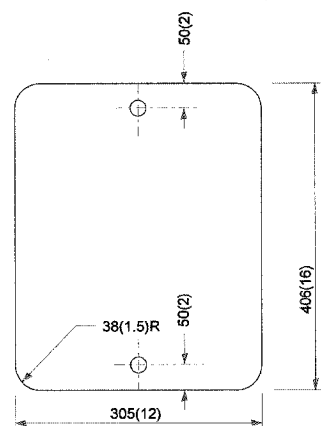
Sheeting Position for
Traffic Barrier Terminal Type (*)
* See Plans for Type

TERMINAL MARKER DETAILS

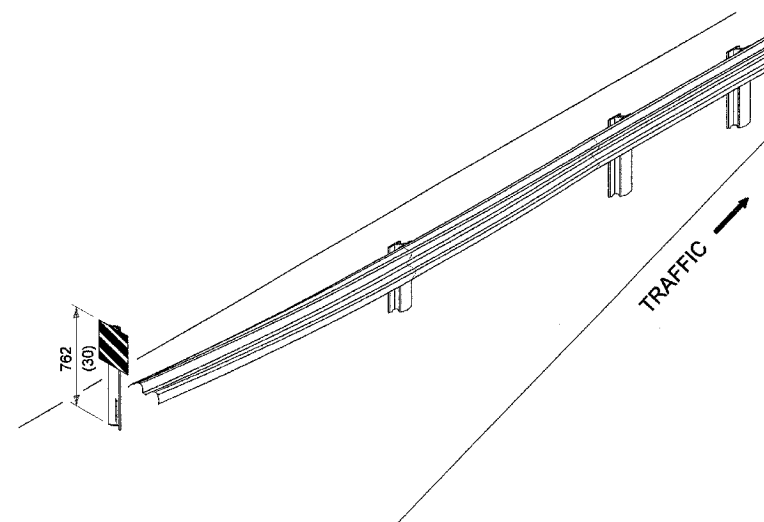
- Color: Black / Yellow reflectorized
- OM - 1100 (L or R) Direct applied reflective sheeting
- OM - 1200 (L or R) Post mounted



DETAIL OF MOUNTING TERMINAL MARKER TO POST



STANDARD TERMINAL MARKER



ALTERNATE TREATMENT - POST MOUNTED
(For turned-down terminal where sheeting cannot be direct applied)

TERMINAL MARKER TREATMENTS

GENERAL NOTES

All dimensions are in millimeters (inches) unless otherwise noted.

ILLINOIS DEPARTMENT OF TRANSPORTATION
DISTRICT CADD STANDARD

GUARDRAIL AND
BARRIER WALL DELINEATION

CADD STD. NO. 635101-D4 SHEET 2 OF 3
SCALE: NOT DRAWN TO SCALE DRAWN BY CADD
DATE \$\$\$DATE\$\$\$ CHECKED BY

\$\$\$DATE\$\$\$