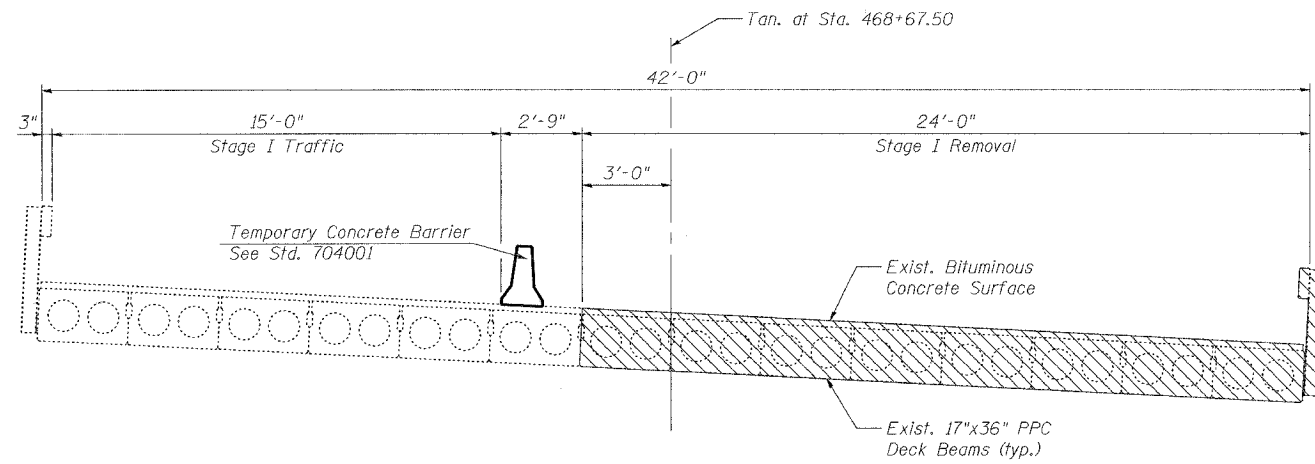
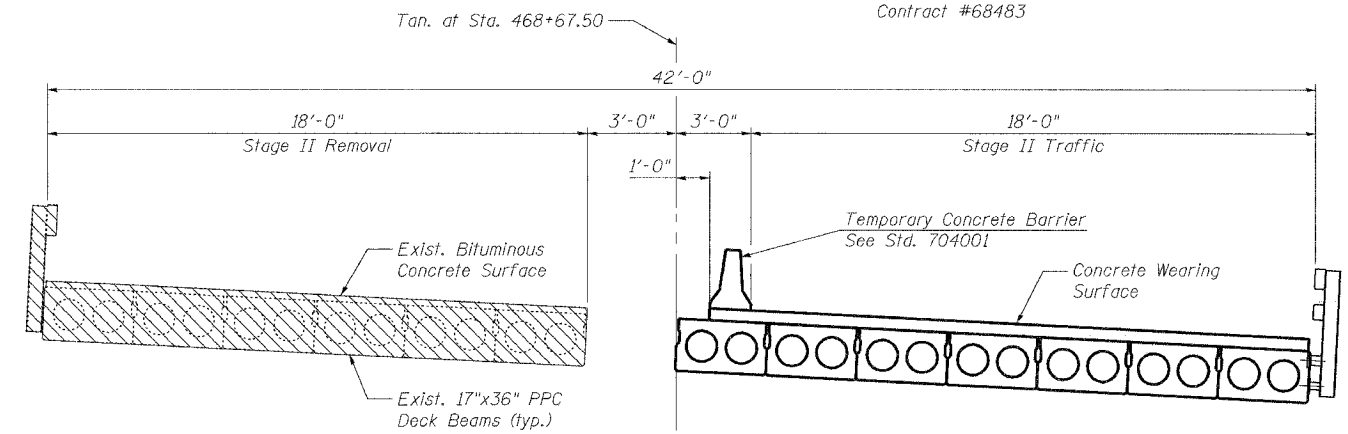


STATE OF ILLINOIS
DEPARTMENT OF TRANSPORTATION

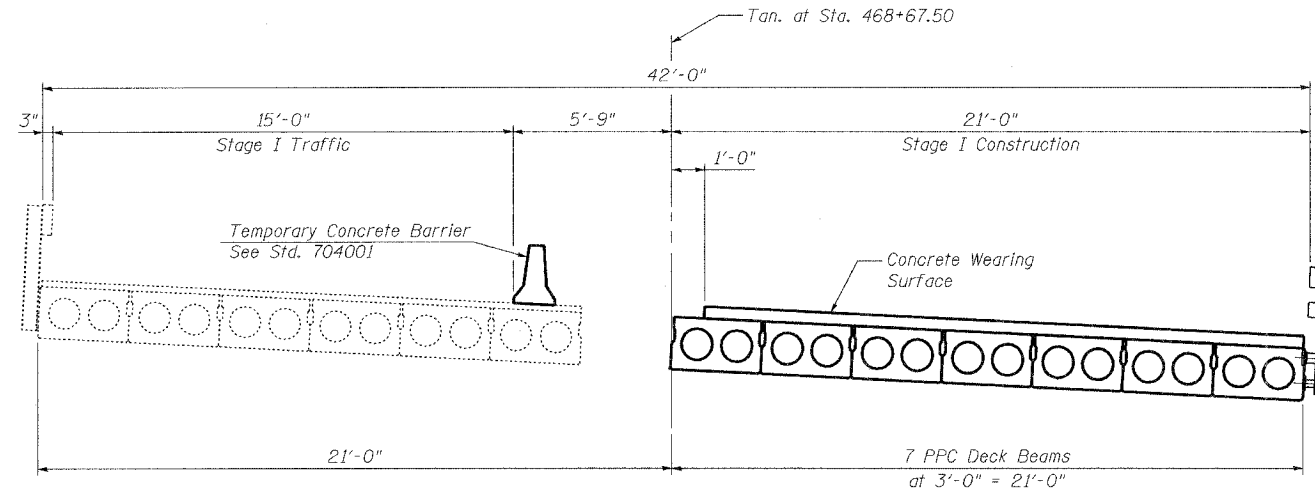
ROUTE NO.	SECTION	COUNTY	SHEET NO.	SHEET	SHEET NO.
F.A.P. 622	(128BR)	FULTON	19	11	10 SHEETS
FED. AID DIST. NO. 7	ILLINOIS	FED. AID PROJECT	Contract #68483		



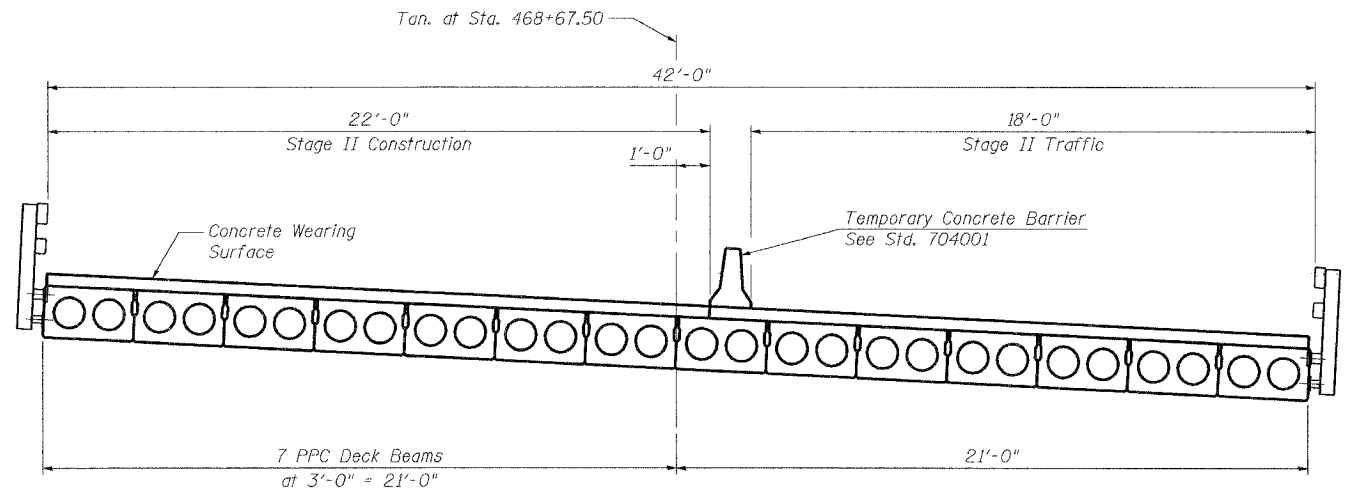
STAGE I REMOVAL
(Looking Upstation)



STAGE II REMOVAL
(Looking Upstation)



STAGE I CONSTRUCTION
(Looking Upstation)



STAGE II CONSTRUCTION
(Looking Upstation)

DESIGNED BWP	THOUVENOT, WADE & MOERCHEN, INC. ENGINEERS • SURVEYORS • PLANNERS CORPORATE OFFICE 4940 OLD COLLINGSVILLE RD. SHAMOCK, ILLINOIS 62276 TEL. (618) 624-6488 FAX (618) 624-6088 E-MAIL: cor@twm-inc.com
CHECKED ALN	
DRAWN KBF	
CHECKED KPC	

STAGE CONSTRUCTION
ILLINOIS ROUTE 97 OVER
BIG CREEK TRIBUTARY
F.A.P. RTE 622 SECTION (128BR)
FULTON COUNTY
SN 029-0026