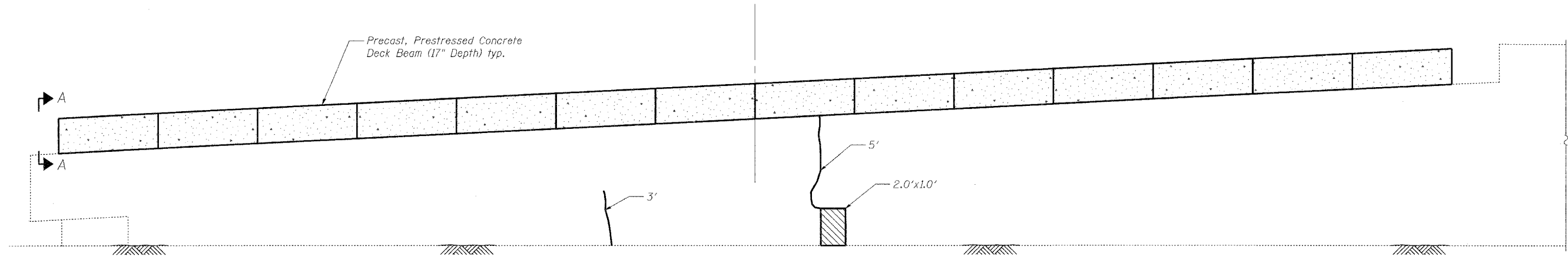


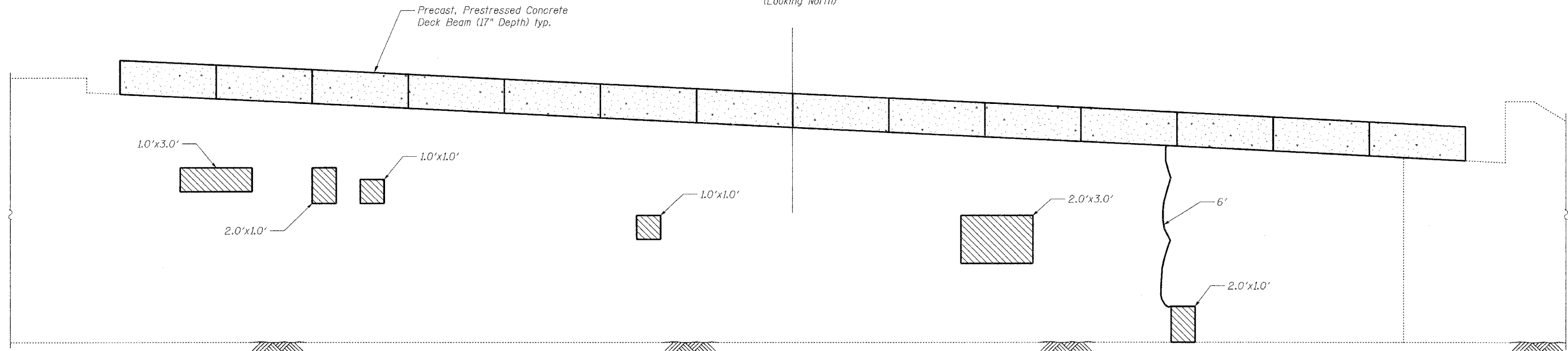
STATE OF ILLINOIS
DEPARTMENT OF TRANSPORTATION

| | | | | | |
|-----------------------|----------|------------------|-----------------|-------|-------------|
| ROUTE NO. | SECTION | COUNTY | SHEET | SHEET | SHEET NO. 9 |
| F.A.P. 622 | (128BR) | FULTON | 19 | 18 | 10 SHEETS |
| FED. ROAD DIST. NO. 7 | ILLINOIS | FED. AID PROJECT | Contract #68483 | | |



NORTH ABUTMENT ELEVATION

(Looking North)

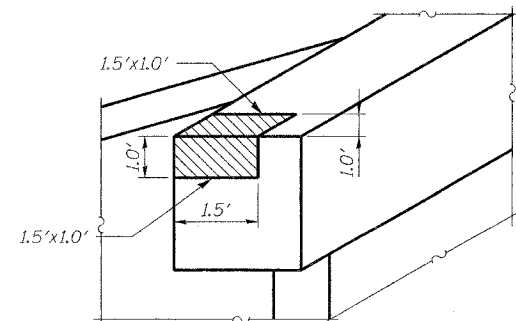


SOUTH ABUTMENT ELEVATION

(Looking South)

BILL OF MATERIAL

| | | |
|---|---------|----|
| Structural Repair of Concrete (Depth Equal to or less than 5") | Sq. Ft. | 20 |
| Epoxy Crack Sealing | Foot | 14 |



ELEVATION

West End of North Abutment

| | |
|--------------|--|
| DESIGNED BWP | THOUVENOT, WADE & MOERCHEN, INC. ENGINEERS • SURVEYORS • PLANNERS CORPORATE OFFICE 4940 OLD COLLINGSVILLE RD. SPRINGFIELD, ILLINOIS 62226 TEL. (618) 624-4888 FAX (618) 624-6688 E-MAIL: GORDON@twm.com |
| CHECKED ALN | |
| DRAWN KBF | |
| CHECKED KPC | |

ABUTMENT CONCRETE REPAIR
ILLINOIS ROUTE 97 OVER
BIG CREEK TRIBUTARY
F.A.P. RTE 622 SECTION (128BR)
FULTON COUNTY
SN 029-0026