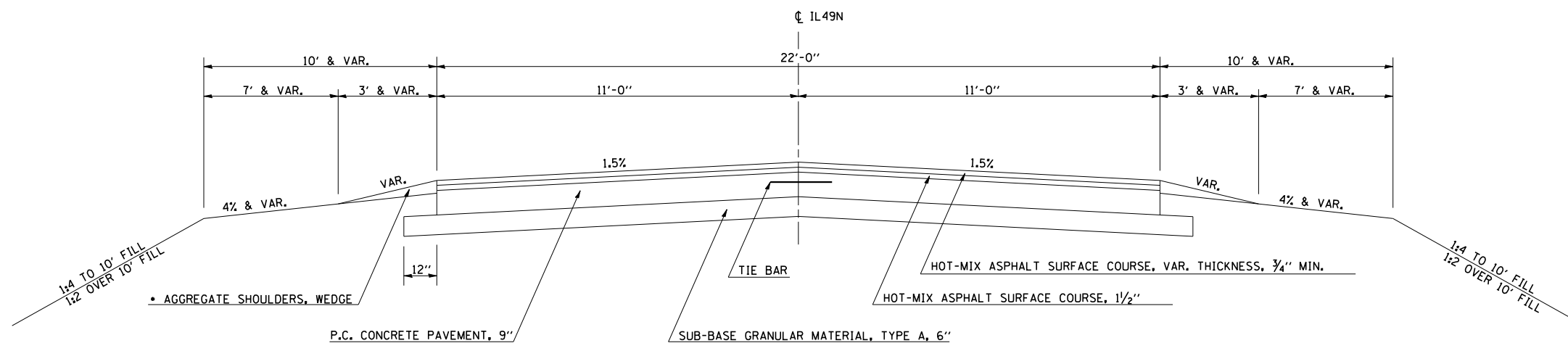


F.A.I. RTE.	SECTION	COUNTY	TOTAL SHEETS	SHEET NO.
74		VERMILION	122	14

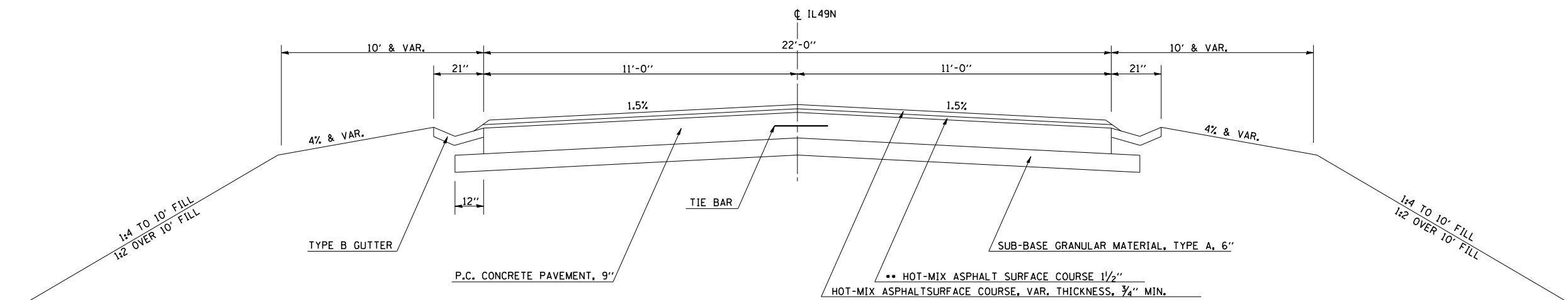
(10-92-8) (HB-1,HB-4) BR
CONTRACT NO. 70001



EXISTING TYPICAL CROSS SECTION

F.A.P. 840 (IL. RTE. 49 N.)
STATION 41+74.00 TO STATION 47+81.50
STATION 52+18.50 TO STATION 58+24.00

• HOT-MIX ASPHALT SHOULDER, 8", VAR. WIDTH (FROM 2.4' TO 10.6')
STA. 41+80.7 - STA. 44+12.0 (LT)
STA. 55+90.2 - STA. 57+79.2 (LT)
STA. 42+09.1 - STA. 44+09.8 (RT)
STA. 55+90.8 - STA. 58+20.4 (RT)



EXISTING TYPICAL CROSS SECTION

F.A.P. 840 (IL. RTE. 49 N.)
STATION 47+81.50 TO STATION 49+07.25 (EX. BRIDGE)
STATION 50+92.75 (EX. BRIDGE) TO STATION 52+18.50
EX. BRIDGE OMISSION: STATION 49+07.25 TO STATION 50+92.75

•• VARIABLE DEPTH HOT-MIX ASPHALT RUNDOWN
1 1/2" - STA. 47+81.50 - STA. 48+35.25
1 1/2" TO 3/4" - STA. 48+35.25 - STA. 48+69.25
3/4" TO 1 3/4" - STA. 48+69.25 - STA. 48+87.25
1 3/4" - STA. 48+87.25 - STA. 49+07.25 (BRIDGE)
1 3/4" - (BRIDGE) STA. 50+92.75 - STA. 51+12.75
1 3/4" TO 3/4" - STA. 51+12.75 - STA. 51+29.75
3/2" TO 1 1/2" - STA. 51+29.75 - STA. 51+64.75
1 1/2" - STA. 51+64.75 - STA. 52+18.50

REVISIONS	
NAME	DATE

ILLINOIS DEPARTMENT OF TRANSPORTATION
TYPICAL SECTIONS
FAP 840 (IL 49 N)
OVER I-74
VERMILION COUNTY

SCALE: NONE
DATE: 06/2003

DRAWN BY: IYL
CHECKED BY: JH