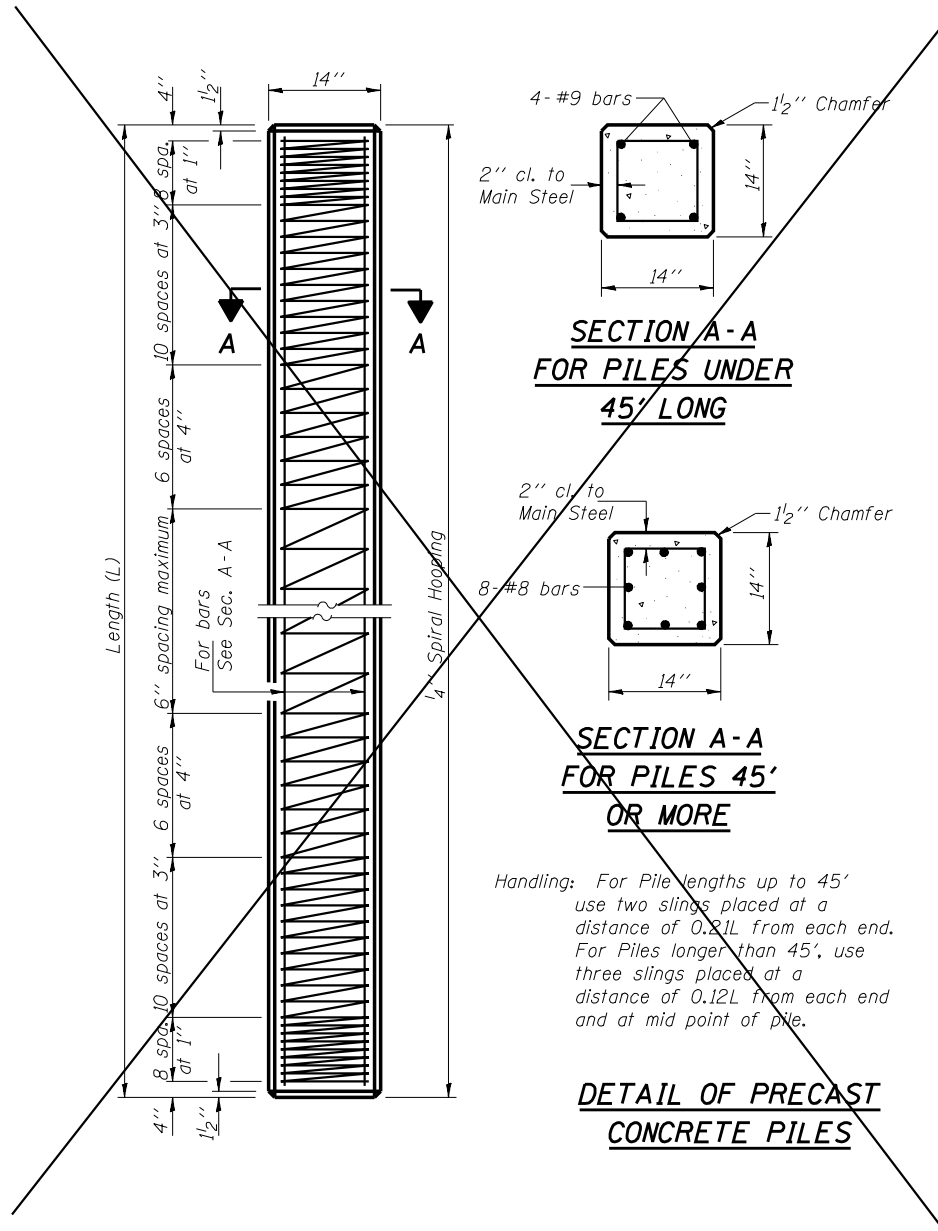
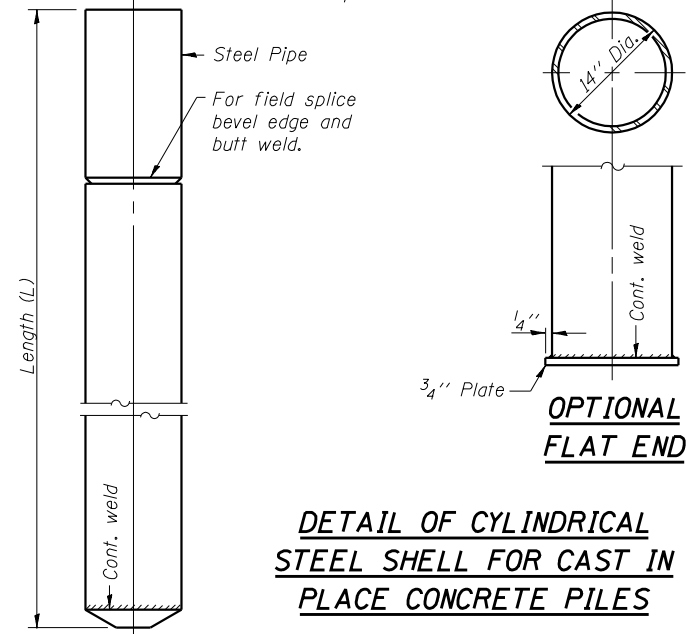


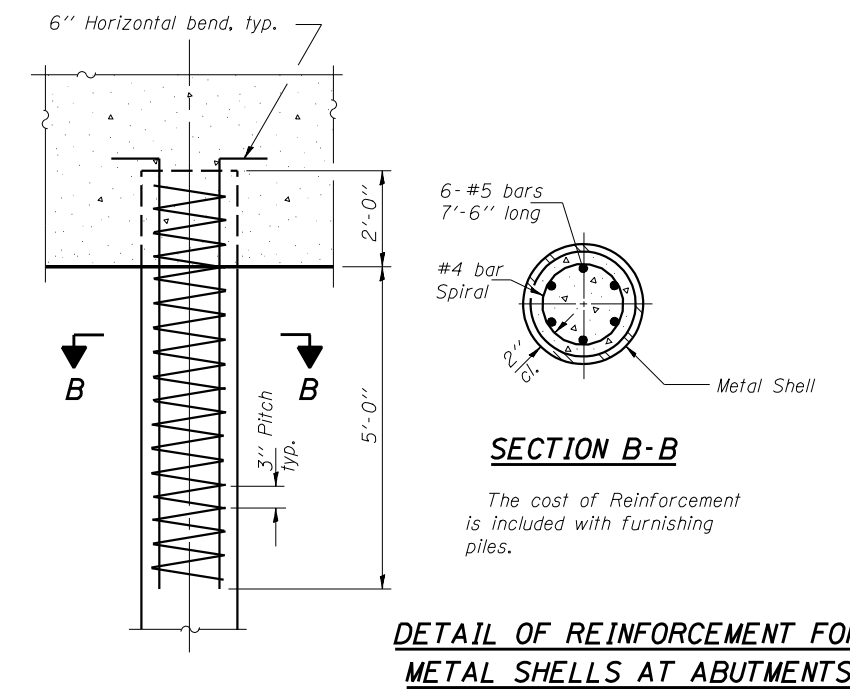
ROUTE NO.	SECTION	COUNTY	TOTAL SHEETS	SHEET NO.
FAI 74	★	CHAMPAIGN	122	66
FED. ROAD DIST. NO. 7		ILLINOIS	FED. AID PROJECT	
★ (10-92-8HB-1)BR				



Notes: Driving and bearing ends of pipe shall be cut square. The thickness of the shell shall be 0.250 inches with a tolerance of 5%. The shell shall be according to Article 1006.05(a) of the Standard Specifications.



Note: Metal Shell Piles shall be according to ASTM A 252 Grade 3.



	REVISIONS	
	NAME	DATE
20 N. Chestnut Chatham, Illinois 62629 (217) 483-4868 FAX (217) 483-4706		
Designed By: MTH	Checked By: STD	Drawn By: JMD
Date: 11/02	File: 0100277.DGN	

ILLINOIS DEPARTMENT OF TRANSPORTATION
PILE DETAIL
 FAS RTE 518 (IL 49S) & FAP RTE 836 (C.H.22)
 OVER FAI RTE 74 (I-74)
 SECTION (10-92-8HB-1) BR
 CHAMPAIGN COUNTY
 STA. 1000+88.67 (I-74)
 STA. 50+00.00 (IL 49S & C.H. 22)
 STRUCTURE NO. 010-0277