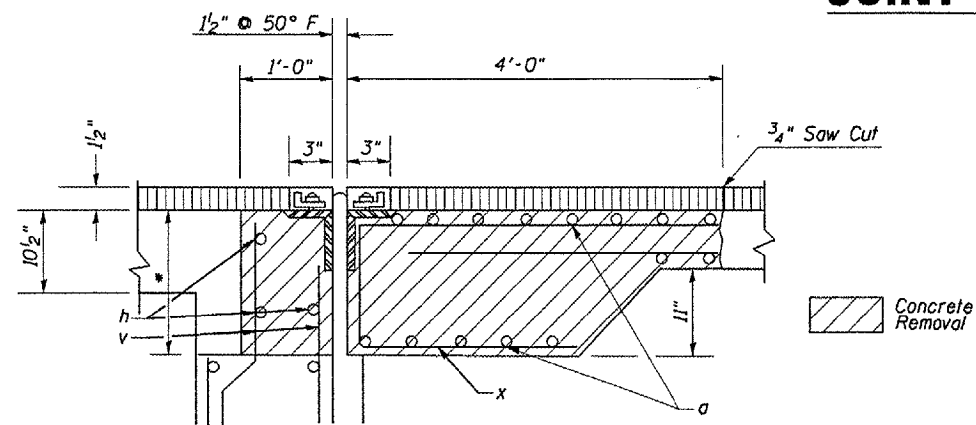


JOINT REPAIR AT WEST ABUTMENT

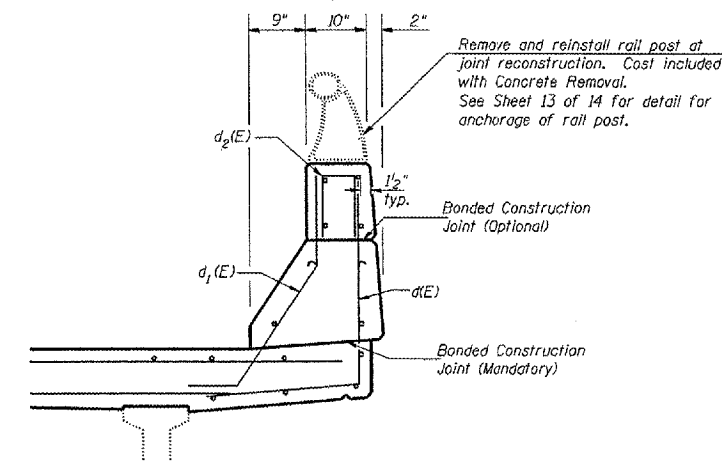
SN 057-0129



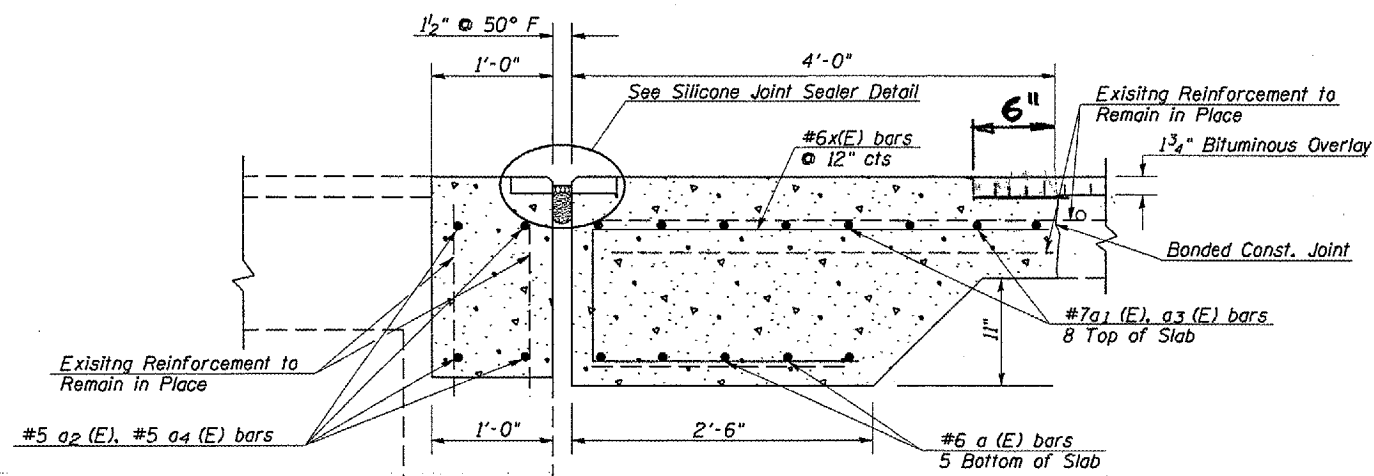
* Varies from 1'-3 3/8" to 1'-7 1/2"

Note: Removal of Existing Neoprene Expansion Joint is included in the cost of Concrete Removal

EXISTING SECTION AT WEST ABUTMENT

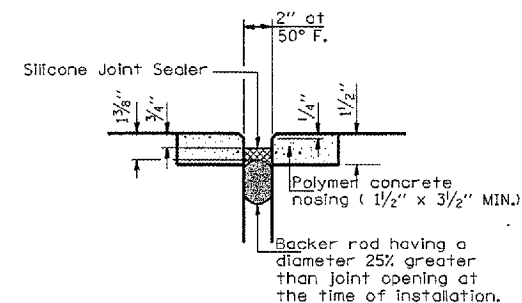


SECTION THRU PARAPET

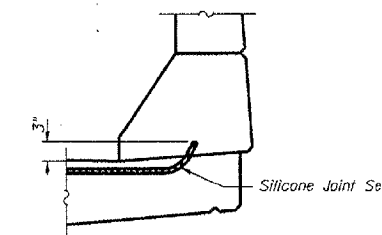


PROPOSED SECTION AT WEST ABUTMENT

New Concrete



SILICONE JOINT SEALER DETAIL



TYPICAL END OF SEAL TREATMENT AT EXPANSION JOINT

BILL OF MATERIAL

Item	Unit	TOTAL
Concrete Removal	Cu. Yd.	11.85
Concrete Superstructure	Cu. Yd.	11.85
Polymer Concrete	Cu. Ft.	3.2
Silicone Joint Sealer, 1 1/2"	Foot	43

ILLINOIS DEPARTMENT OF TRANSPORTATION
 JOINT REPAIR AT WEST ABUTMENT
 F.A.I. ROUTE 74
 SECTION (57-21B&57-22B)&BDR
 MCLEAN COUNTY
 SN 057-0129

SCALE: NA
 DATE: 03/28/07
 DRAWN BY: RC
 CHECKED BY: