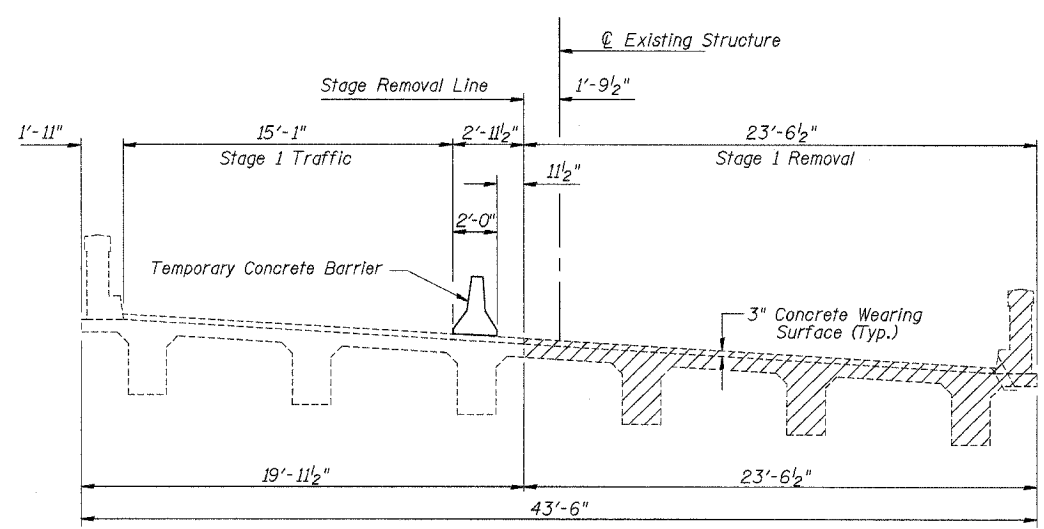
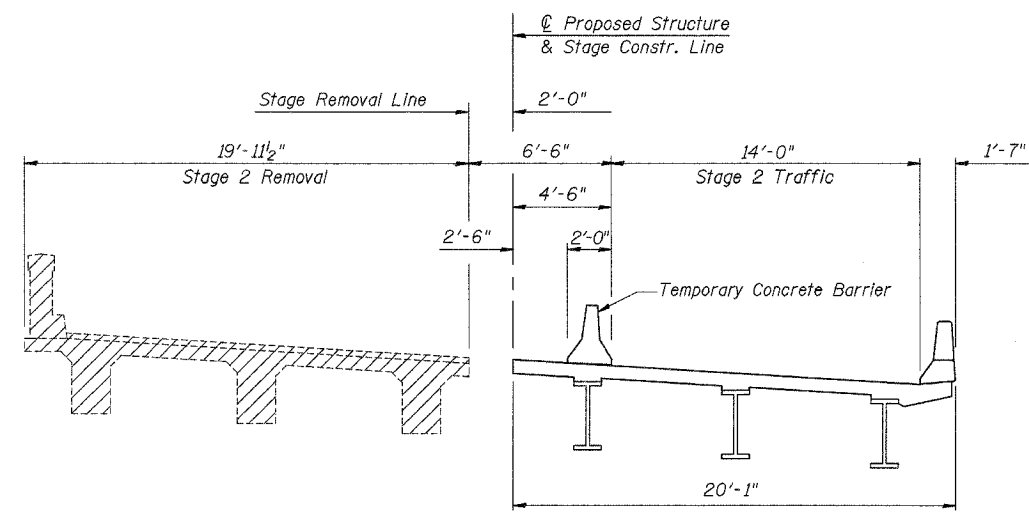


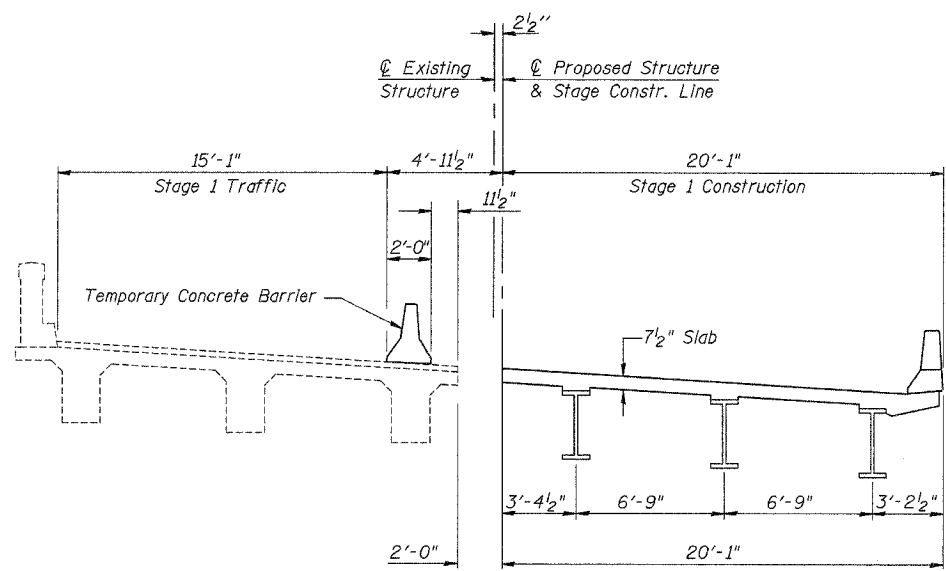
ROUTE NO.	SECTION	COUNTY	TOTAL SHEETS	SHEET NO.
F.A.P. 42	2BR	WASHINGTON	33	17
FED. ROAD DIST. NO. 8		ILLINOIS	PROJECT	
Sheet 3 of 16		CONTRACT #76389		



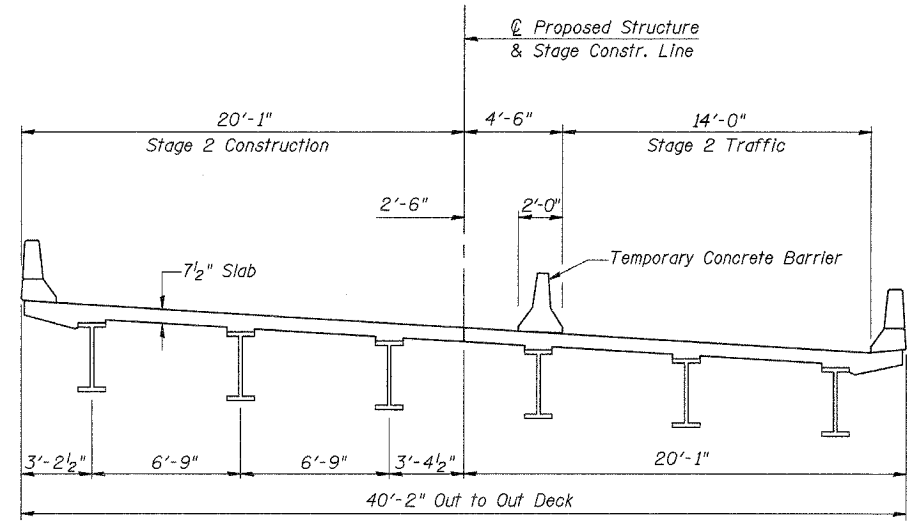
STAGE 1 REMOVAL
(Looking South)



STAGE 2 REMOVAL
(Looking South)



STAGE 1 CONSTRUCTION
(Looking South)



STAGE 2 CONSTRUCTION
(Looking South)

Notes:
Hatched areas indicate Removal of Existing Structures.
For details of Temporary Concrete Barrier, see sheet 15 of 16.
See Roadway Plans for quantity of Temporary Concrete Barrier.

DESIGNED	Ruben V. Boehler
CHECKED	Tim S. Howard
DRAWN	Nicole L. Darling
CHECKED	Michael D. Cummins

STAGE CONSTRUCTION DETAILS

IL ROUTE 127 OVER TRIBUTARY TO CROOKED CREEK
F.A.P. ROUTE 42 SECTION 2BR
WASHINGTON COUNTY
STA. 487+25
S.N. 095-0076

CUMMINS ENGINEERING CORPORATION	JOB #: 2158
	FILE: 2158STAGE
	DATE: 3/14/05