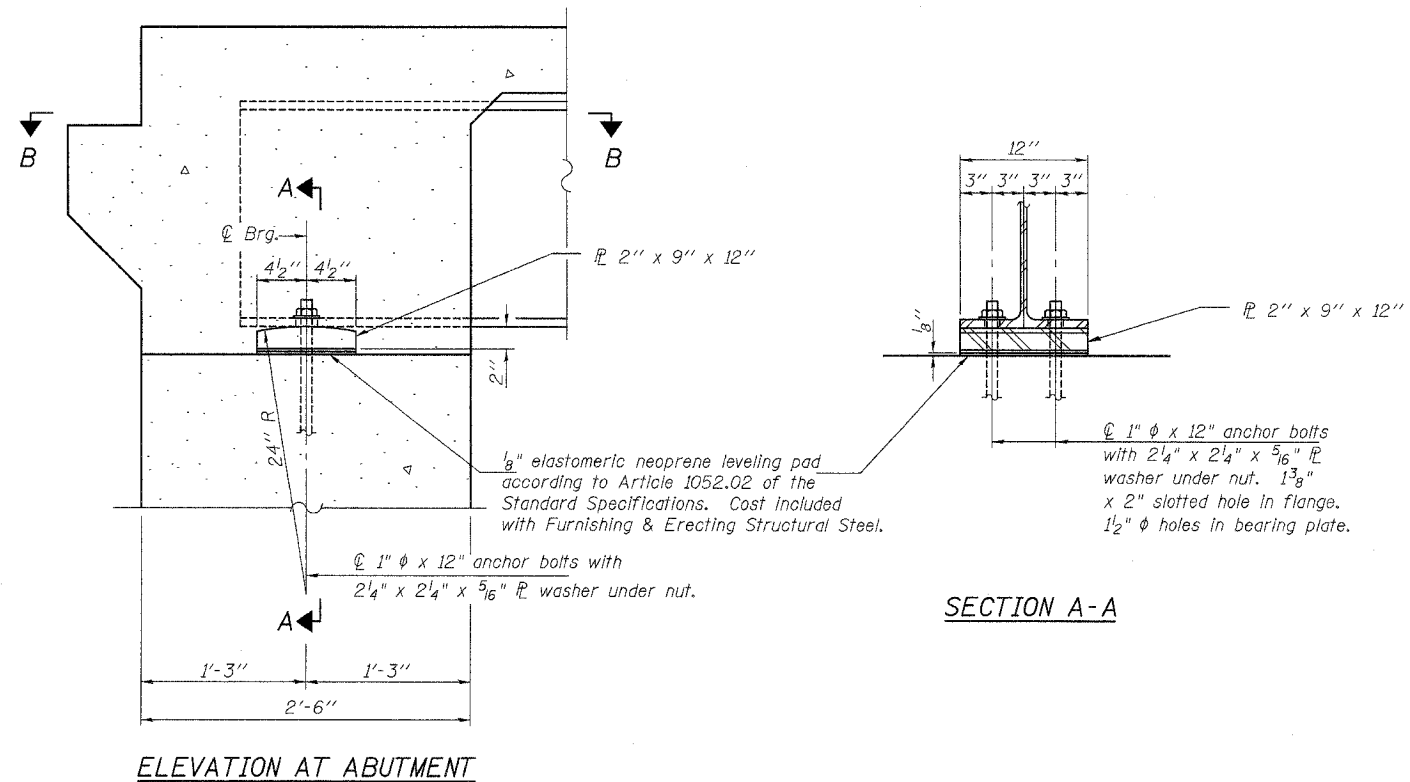
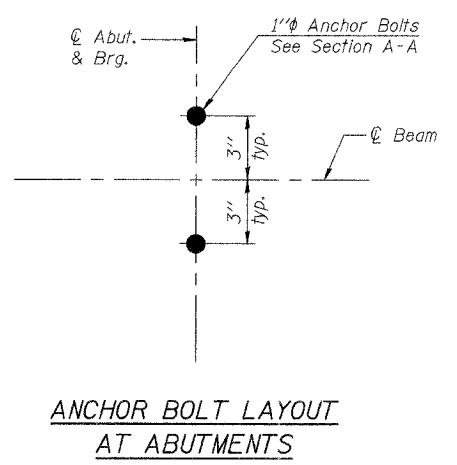
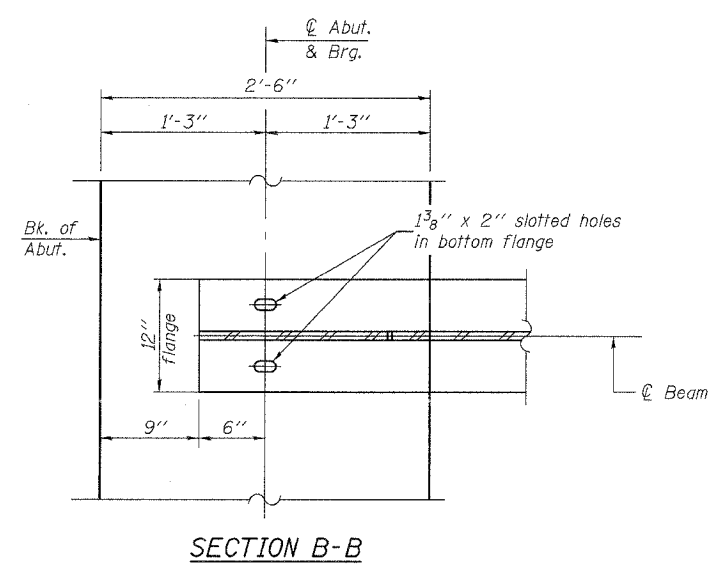


ROUTE NO.	SECTION	COUNTY	TOTAL SHEETS	SHEET NO.
F.A.P. 42	2BR	WASHINGTON	33	24
FED. ROAD DIST. NO. 8	ILLINOIS	PROJECT		
Sheet 10 of 16			CONTRACT #76389	



ABUTMENT BEARING
(12 Required)



Notes:
Steel bearing plates shall be AASHTO M270, Grade 50.

DESIGNED	Ruben V. Boehler
CHECKED	Tim S. Howard
DRAWN	Nicole L. Darling
CHECKED	Michael D. Cummins

BEARING DETAILS

IL ROUTE 127 OVER TRIBUTARY TO CROOKED CREEK
F.A.P. ROUTE 42 SECTION 2BR
WASHINGTON COUNTY
STA. 487+25
S.N. 095-0076

CUMMINS ENGINEERING CORPORATION	JOB #: 2158
	FILE: 2158BRG
	DATE: 11/12/04