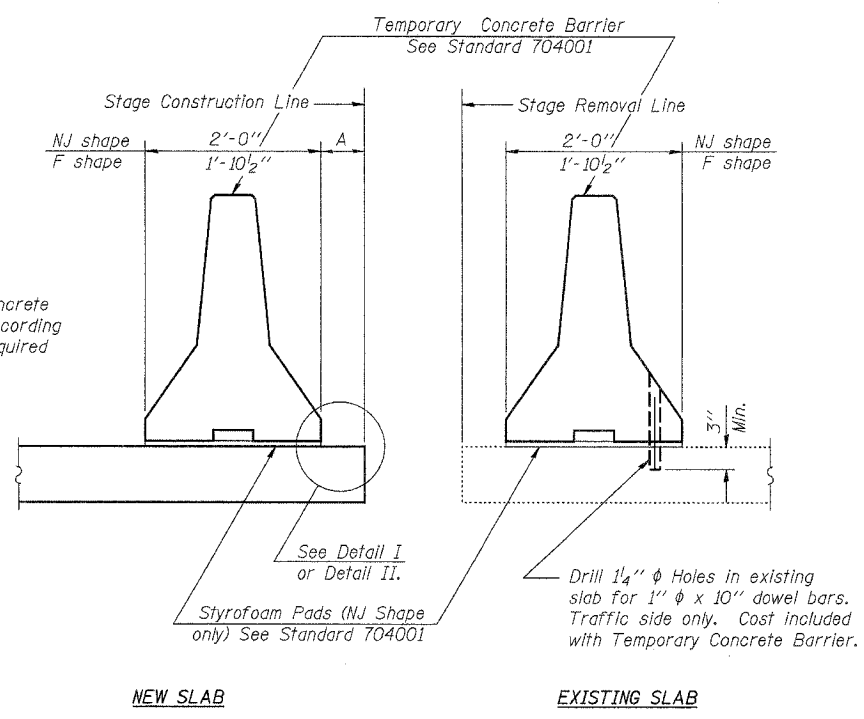
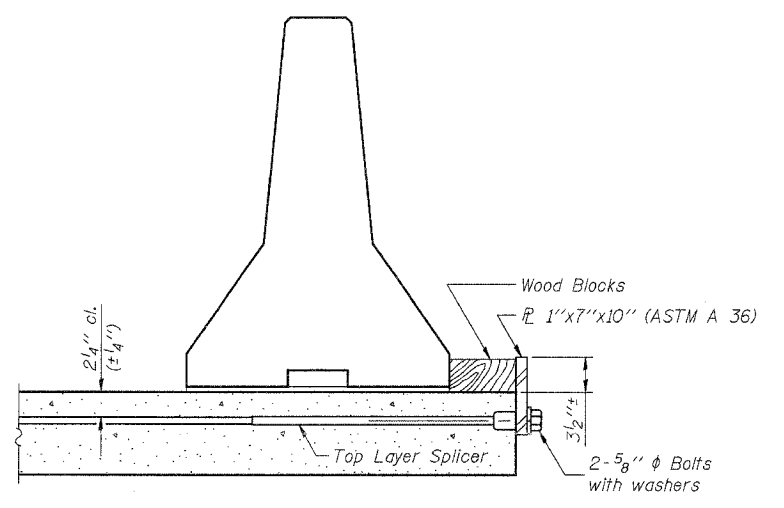


ROUTE NO.	SECTION	COUNTY	TOTAL SHEETS	SHEET NO.
F.A.P. 42	2BR	WASHINGTON	33	29
FED. ROAD DIST. NO. 8		ILLINOIS PROJECT		
Sheet 15 of 16		CONTRACT #76389		

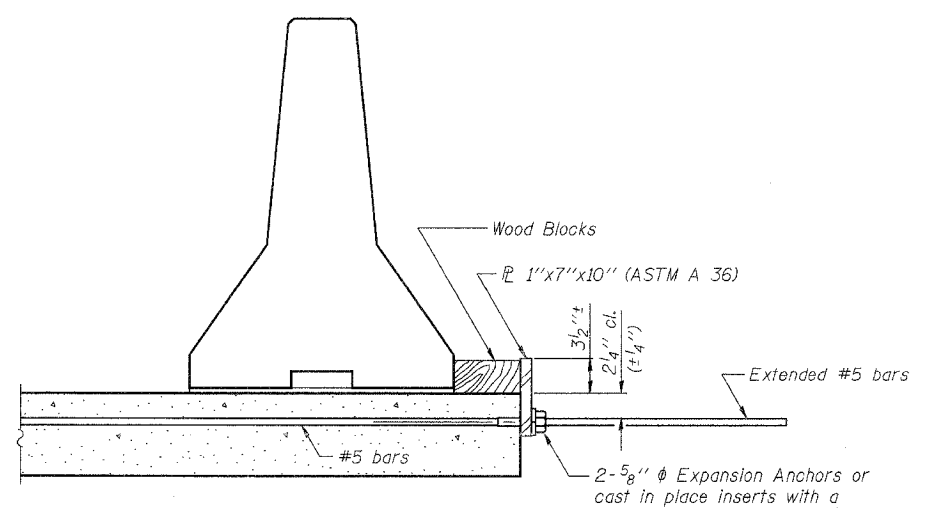


SECTIONS THRU SLAB



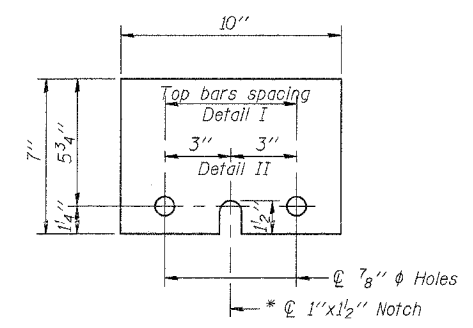
DETAIL I

The 1" x 7" x 10" Plate shall not be removed until Stage II Construction forms and reinforcement bars are in place.



DETAIL II

The 1" x 7" x 10" Plate shall not be removed until Stage II Construction forms and all reinforcement bars are in place and the concrete is ready to be placed.



1" x 7" x 10"

* Required only with Detail II

NOTES

Detail I - With Bar Splicer or Couplers:
Connect one (1) 1" x 7" x 10" steel \bar{L} to the top layer of couplers with 2-5/8" ϕ bolts screwed to coupler at approximate ϕ of each barrier panel.

Detail II - With Extended Reinforcement Bars:
Connect one (1) 1" x 7" x 10" steel \bar{L} to the concrete slab with 2-5/8" ϕ Expansion Anchors or cast in place inserts spaced between the top layer of reinforcement at approximate ϕ of each barrier panel.

Cost of anchorage is included with Temporary Concrete Barrier.

DESIGNED	Ruben V. Boehler
CHECKED	Tim S. Howard
DRAWN	Nicole L. Darling
CHECKED	Michael D. Cummins

R-27 9-01-03

**TEMPORARY CONCRETE BARRIER
FOR STAGE CONSTRUCTION**

IL ROUTE 127 OVER TRIBUTARY TO CROOKED CREEK
F.A.P. ROUTE 42 SECTION 2BR
WASHINGTON COUNTY
STA. 487+25
S.N. 095-0076

CUMMINS ENGINEERING CORPORATION	JOB #: 2158 FILE: 2158BARRIER DATE: 11/16/04
---------------------------------	--